



Installation Instructions

B Series

Multi-Position & Hydronic Air Handlers

Electric or Hot Water Heat, with available Variable-Speed High Efficiency ECM Motor

TABLE OF CONTENTS	PAGE	PAGE	
Air Handler Safety	1	A2L Label Installation	24
General	5	Refrigerant Line Installation	25
Inspect Shipment	5	Refrigerant Charging Instructions	25
Tools and Parts Needed	5	A2L Refrigerant Detection Sensor	26
Wiring Diagram	6	A2L Refrigerant Detection System Controller	27
Thermostat Connections	12	Supply Voltage Connections	30
Blower Performance Data	18	Variable Speed Control Board	30
Outdoor System Requirements	20	Hot Water Coil Installation	31
Location Requirements	20	Hot Water Coil Flushing	32
Electrical Requirements	20	Sequence of Operation	32
Ductwork Requirements	20	Air Handler Checks	34
Installation Clearances	21	Flammable Refrigerant Detection	35
Configuration Options	21	Refrigerant Recovery	35
Drain Pan Connections	22	Air Handler Maintenance	36
Sloping the Drain	23	Assistance or Service	36
Install Condensate Drain	23	Warranty	36
Metering Device	24		

AIR HANDLER SAFETY

SAFETY CONSIDERATIONS



Your safety and the safety of others are very important.

We have provided many important safety messages in this manual and on your appliance. Always read and obey all safety messages.

This is the safety alert symbol.

This symbol alerts you to potential hazards that can kill or hurt you and others.

All safety messages will follow the safety alert symbol and signal word. These signal words mean the following:

DANGER: You can be **killed or seriously injured** if you don't immediately follow instructions.

WARNING: Indicate a potentially hazardous situation which, if not avoided, could result in **death or serious injury**.

CAUTION: Indicates a potentially hazardous situation which, if not avoided, may result in **minor or moderate injury**. Caution may also be used to alert against unsafe practices.

NOTICE: Indicates a statement of company policy as the message relates directly or indirectly to the safety of personnel or protection of property.

IMPORTANT: More detailed information concerning the statement of company policy as the message relates directly or indirectly to the safety of personnel or protection of property.

All safety messages will tell you what the potential hazard is, tell you how to reduce the chance of injury, and tell you what can happen if the instructions are not followed.



CAUTION



This appliance is not intended for use by persons (including children) with reduced physical, sensory or mental capabilities, or lack of experience and knowledge, unless they have been given supervision or instruction concerning use of the appliance by a person responsible for their safety. Children should be supervised ensure that they do not play with the appliance.



Product improvement is a continuous process at Advanced Distributor Products. Therefore, product specifications are subject to change without notice and without obligation on our part. Please contact your ADP representative or distributor to verify details.

© 2025 by Advanced Distributor Products. All rights reserved.

AIR HANDLER SAFETY

IMPORTANT

This unit is a PARTIAL UNIT AIR CONDITIONER, complying with PARTIAL UNIT requirements of this Standard, and must only be connected to other units that have been confirmed as complying to corresponding PARTIAL UNIT requirements of this Standard, UL 60335-2-40/CSA C22.2 No. 60335-2-40, or UL 1995/CSA C22.2 No 236.

IMPORTANT

The Clean Air Act of 1990 bans the intentional venting of refrigerant (CFC's and HFC's). Approved methods of reclaiming must be followed. Fines and/or incarceration may be levied for non-compliance.

IMPORTANT

This unit is a PARTIAL UNIT, it shall only be connected to an appliance using the same refrigerant as listed in the name plate of this unit.

NOTICE

Leak detection system Installed. Unit must be powered except for service

IMPORTANT

In addition to conventional charging procedures, the following requirements shall be followed.

1. Ensure that contamination of different refrigerants does not occur when using charging equipment. Hoses or lines shall be as short as possible to minimize the amount of refrigerant contained in them.
2. Cylinders shall be kept in an appropriate position according to the instructions.
3. Ensure that the REFRIGERATION SYSTEM is earthed before charging the system with refrigerant.
4. Label the system when charging is complete
5. Extreme care shall be taken not to overfill the REFRIGERATION SYSTEM. Prior to recharging the system, it shall be pressure-tested with appropriate purging gas. The system shall be leak-tested on completion of charging but prior to commissioning. A follow-up leak test shall be carried out prior to leaving the site.

IMPORTANT

Improper installation, adjustment, alteration, service or maintenance can cause property damage, personal injury or loss of life. Installation and service must be performed by a licensed professional HVAC installer or equivalent, service agency, or the gas supplier.

CAUTION

Any service personnel installing, decommissioning, or performing maintenance on the unit must be properly trained with A2L refrigerants

NOTICE

Sealed electrical components shall be replaced, not repaired.

NOTICE

Intrinsically safe components shall be replaced, not repaired.

THIS UNIT REQUIRES SERVICE EQUIPMENT COMPATIBLE WITH R-454B REFRIGERANT

R-454B

REFRIGERANT SAFETY GROUP A2L

67684001

THIS UNIT REQUIRES SERVICE EQUIPMENT COMPATIBLE WITH R-32 REFRIGERANT

R-32

REFRIGERANT SAFETY GROUP A2L

67684101

WARNING

Do not use means to accelerate the defrosting process or to clean other than those recommended by the manufacturer. The appliance shall be stored in a room without continuously operating ignition sources (for example: open flames, an operating gas appliance or an operating electric heater. Do not pierce or burn. Be aware that refrigerants may not contain an odor.

CAUTION

Equipment shall be labeled stating that it has been decommissioned and emptied of refrigerant. The label shall be dated and signed. For appliances containing flammable refrigerants, ensure that there are labels on the equipment stating the equipment contains flammable refrigerant.



NOTICE

Ensure that the cabling is not subject to wear, corrosion, excessive pressure, vibration, sharp edges or any other adverse environmental effects.

AIR HANDLER SAFETY

 **IMPORTANT** 



Work shall be undertaken under a controlled procedure so as to minimize the risk of a flammable gas or vapor being present while the work is being performed.

 **NOTICE** 



All maintenance staff and others should avoid working in confined spaces.

 **IMPORTANT** 



The area shall be checked with an appropriate refrigerant detector prior to and during work, to ensure the technician is aware of potentially toxic or flammable atmospheres. Ensure that the leak detection equipment being used is suitable for use with all applicable refrigerants, i.e. non-sparking, adequately sealed or intrinsically safe.

 **IMPORTANT** 



If any hot work is to be conducted on the refrigerating equipment or any associated parts, appropriate fire extinguishing equipment shall be available to hand. Have a dry powder or CO2 fire extinguisher adjacent to the charging area.

 **CAUTION** 



No person carrying out work in relation to a refrigerating system which involves exposing any pipe work shall use any sources of ignition in such a manner that it may lead to the risk of fire or explosion. All possible ignition sources, including cigarette smoking, should be kept sufficiently far away from the site of installation, repairing, removing and disposal, during which refrigerant can possibly be released to the surrounding space. Prior to work taking place, the area around the equipment is to be surveyed to make sure that there are no flammable hazards or ignition risks. "No Smoking" signs shall be displayed.

 **IMPORTANT** 

Ensure that the area is in the open or that it is adequately ventilated before breaking into the system or conducting any hot work. A degree of ventilation shall continue during the period that the work is carried out.



 **CAUTION** 

Some soaps used for leak detection are corrosive to certain metals. Carefully rinse the piping thoroughly after leak test has been completed. Do not use matches, candles, flame or other sources of ignition to check for gas leaks.

 **IMPORTANT** 

Where electrical components are being changed, they shall be fit for the purpose and to the correct specification. At all times the manufacturer's maintenance and service guidelines shall be followed. If in doubt, consult the manufacturer's technical department for assistance. The following checks shall be applied to installations using FLAMMABLE REFRIGERANTS as applicable.



1. The actual refrigerant charge is in accordance with the room size within which the refrigerant containing parts are installed.
2. The ventilation machinery and outlets are operating adequately and are not obstructed.
3. If an indirect refrigerating circuit is being used, the secondary circuit shall be checked for the presence of refrigerant.
4. Markings to the equipment continues to be visible and legible. Markings and signs that are illegible shall be corrected
5. Refrigerating pipe or components are installed in a position where they are unlikely to be exposed to any substance which may corrode refrigerant containing components, unless the components are constructed of materials which are inherently resistant to being corroded or are suitably protected against being so corroded.

 **CAUTION** 



Repair and maintenance to electrical components shall include initial safety checks and component inspection procedures such as that capacitors are discharged in a safe manner to avoid possibility of sparking, that no live electrical components and wiring are exposed while charging, recovering, or purging the system, and that there is continuity of earth bonding. If a fault exists that could compromise safety, then no electrical supply shall be connected to the circuit until it is satisfactorily dealt with. If the fault cannot be corrected immediately but it is necessary to continue operation, an adequate temporary solution shall be used that is reported to the owner of the equipment, so all parties are advised.

 **NOTICE** 

Maximum altitude of application is 3200 m above sea level.

 **NOTICE** 

After completion of field piping for split systems, the field pipe-work shall be pressure tested with an inert gas to a minimum of 450 psig and then vacuum tested prior to refrigerant charging.

 **NOTICE** 

Field-made refrigerant joints indoors shall be tightness tested. The test method shall have a sensitivity of 5 grams per year of refrigerant or better under a pressure of at least 0.25 times the maximum allowable pressure. No leak shall be detected.

AIR HANDLER SAFETY

WARNING

Auxiliary devices which may be a potential ignition source shall not be installed in the duct work. Examples of such potential ignition sources are hot surfaces with a temperature exceeding 700°C and electric switching devices.

WARNING

For appliances using A2L refrigerants connected via an air duct system to one or more rooms, only auxiliary devices approved by the appliance manufacturer or declared suitable with the refrigerant shall be installed in connecting ductwork.

WARNING

If this appliance is conditioning a space with an area smaller than the TA_{min} as defined by instructions, then that space must be without continuously operating open flames (e.g. an operating gas appliance) or other potential ignition sources (e.g. an operating electric heater or similar hot surface). A flame producing device may be installed in the same space if the device is provided with an effective flame arrest system.

WARNING

For duct connected appliances, false ceilings or drop ceilings may be used as a return air plenum if a REFRIGERANT DETECTION SYSTEM is provided in the appliance and any external connections are also provided with a sensor immediately below the return air plenum duct joint.

NOTICE

Pipe-work including piping material, pipe routing, and installation shall include protection from physical damage in operation and service, and be in compliance with national and local codes and standards, such as ASHRAE 15, ASHRAE 15.2, IAPMO Uniform Mechanical Code, ICC International Mechanical Code, or CSA B52. All field joints shall be accessible for inspection prior to being covered or enclosed.

NOTICE

All maintenance staff and others working in the local area shall be instructed on the nature of work being carried out with work in confined spaces being avoided.

Air Handlers using A2L refrigerants (R-454B & R-32) installed at building site ground level altitude, must comply with a minimum conditioned area requirements are show below.

TA _{min} Table							
R-454B/ R-32 Refrigerant Charge (lbs)	3	5	10	15	20	25	30
R-454B/ R-32 Refrigerant Charge (kg)	1.4	2.3	4.5	6.8	9.1	11.3	13.6
MINIMUM CONDITIONED AREA (ft ²)	45	75	150	225	300	375	450
MINIMUM CONDITIONED AREA (m ²)	4.2	7.0	13.9	20.9	27.9	34.8	41.8

Minimum conditioned area requirements must be adjusted by multiplying with the altitude adjustment factor (AF) for installation at higher altitudes (H_{alt}). Tables shown below lists the AF values for different altitudes in meters.

ALTITUDE ADJUSTMENT FACTOR													
H _{alt} (METERS)	0 - 600	800	1000	1200	1400	1600	1800	2000	2200	2400	2600	3000	3200
AF	1.00	1.02	1.05	1.07	1.10	1.12	1.15	1.18	1.21	1.25	1.28	1.36	1.40

GENERAL

These instructions are intended as a general guide only and do not supersede any national or local codes in any way. Compliance with all local, state, or national codes pertaining to this type of equipment should be determined prior to installation.

Read this entire instruction manual, as well as the instructions supplied in separate equipment, before starting the installation.

All models are designed for indoor installation only.

The installation of the air handler, field wiring, warm air ducts, etc. must conform to the requirements of the National Electrical Code, ANSI/NFPA No. 70 (latest edition) in the United States, and any state laws, and local ordinances (including plumbing or wastewater codes). Local authorities having jurisdiction should be consulted before installation is made. Such applicable regulations or requirements take precedence over the general instructions in this manual.

Install the conditioned air plenum, ducts and air filters (not provided) in accordance with NFPA 90B Standard for the Installation of Warm Air Heating and Air-Conditioning Systems (latest edition).

Do not remove the cabinet knockouts until it has been determined which knockouts need to be removed for the installation.

Select the final installation position that best suits the site conditions. Consider required clearances, space, routing requirements for refrigerant line, condensate disposal, filters, ductwork, wiring, and accessibility for service. Refer to the air handler rating plate on the air handler for specific information.

INSPECT SHIPMENT

All air handlers are performance tested. Each unit consists of a blower assembly, refrigerant coil and controls in an insulated, factory-finished enclosure with knockouts provided for electrical wiring entrance.

1. Check the unit rating plate to confirm specifications are as ordered.
2. Upon receipt of equipment, carefully inspect it for possible shipping damage. Take special care to examine the unit if the carton is damaged.

If damage is found, it should be noted on the carrier's freight bill. Damage claims should be filed with the carrier

! **WARNING** !

Electrical Shock


Disconnect power before servicing.

Replace all parts and panels before operating.

Electrically ground air handler.

Connect ground wire to ground terminal marked .

Failure to do so can result in death or electrical shock.




Explosion Hazard

Keep flammable materials and vapors, such as gasoline, away from this unit.

Place this unit so that the heating elements are at least 18in (46cm) above the floor for a garage insulation.

Failure to follow these instructions can result in death, explosion or fire.



TOOLS AND PARTS NEEDED

Assemble the required tools and parts before starting installation. Read and follow the instructions provided with any tools listed here:

<i>1/4" Nut Driver</i>	<i>Tape Measure</i>
<i>Level</i>	<i>Hammer</i>
<i>Screw Drive</i>	<i>Sealant</i>
<i>Adjustable Wrench</i>	<i>UL listed wire nuts</i>
<i>Replacement orifice (if needed; see "Verify Orifice Size")</i>	

immediately. Claims of shortages should be filed with the seller within 5 days.

NOTE: If any damages are discovered and reported to the carrier, do not install the unit because your claim may be denied.

! **WARNING** !

Excessive Weight Hazard

Use two or more people to move and install air handler.

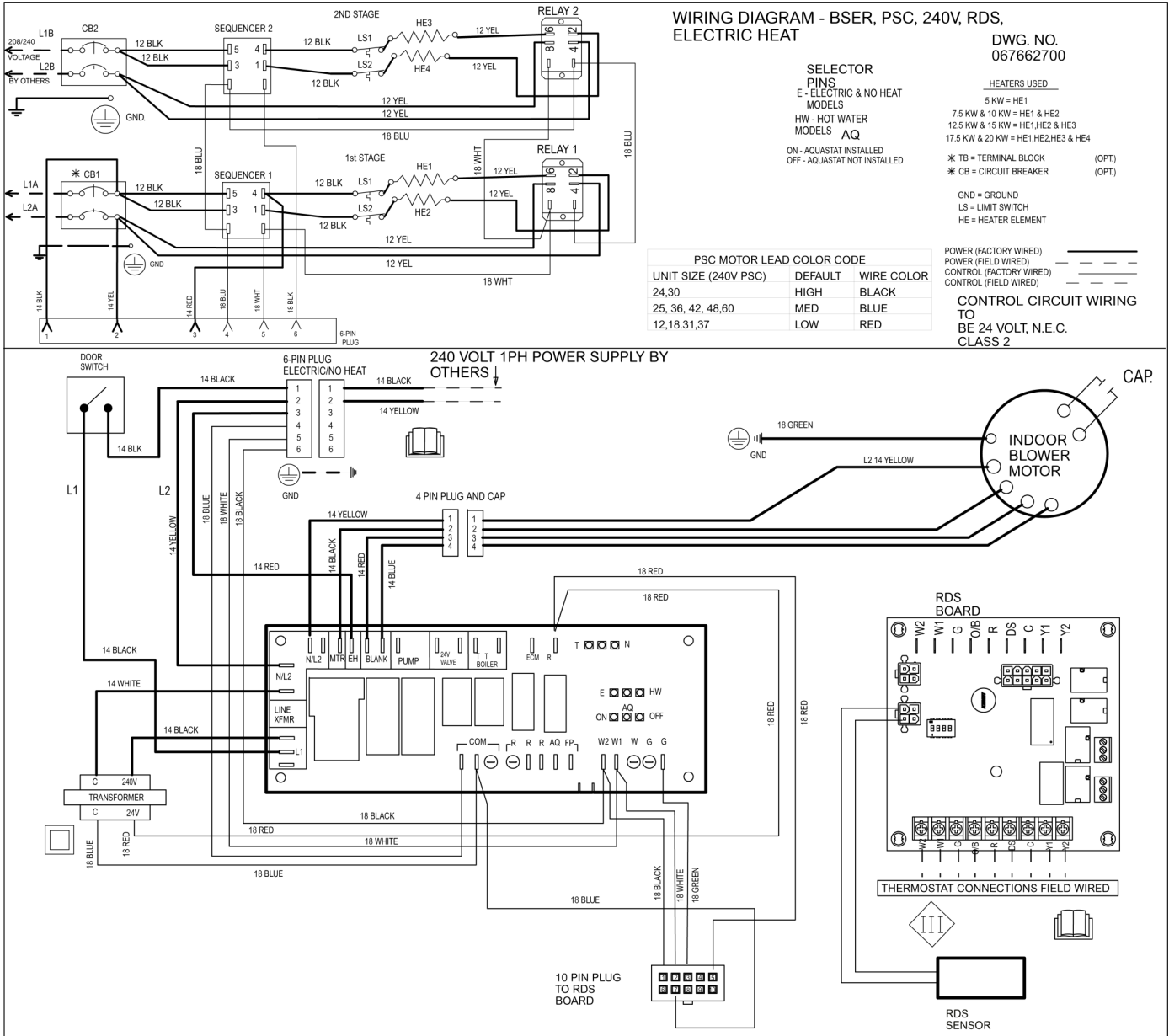
Failure to do so can result in back or other injury.

Check local codes, check existing electrical supply, and read "Ductwork Requirements," and "Electrical Requirements," before purchasing parts.

The correct orifice size may be contained in the replacement orifice package located inside the control box of the outdoor unit. If this package does not contain the correct orifice for your air handler, you must purchase the correct orifice size.

WIRING DIAGRAM

208/240V - 3-SPEED PSC MOTOR

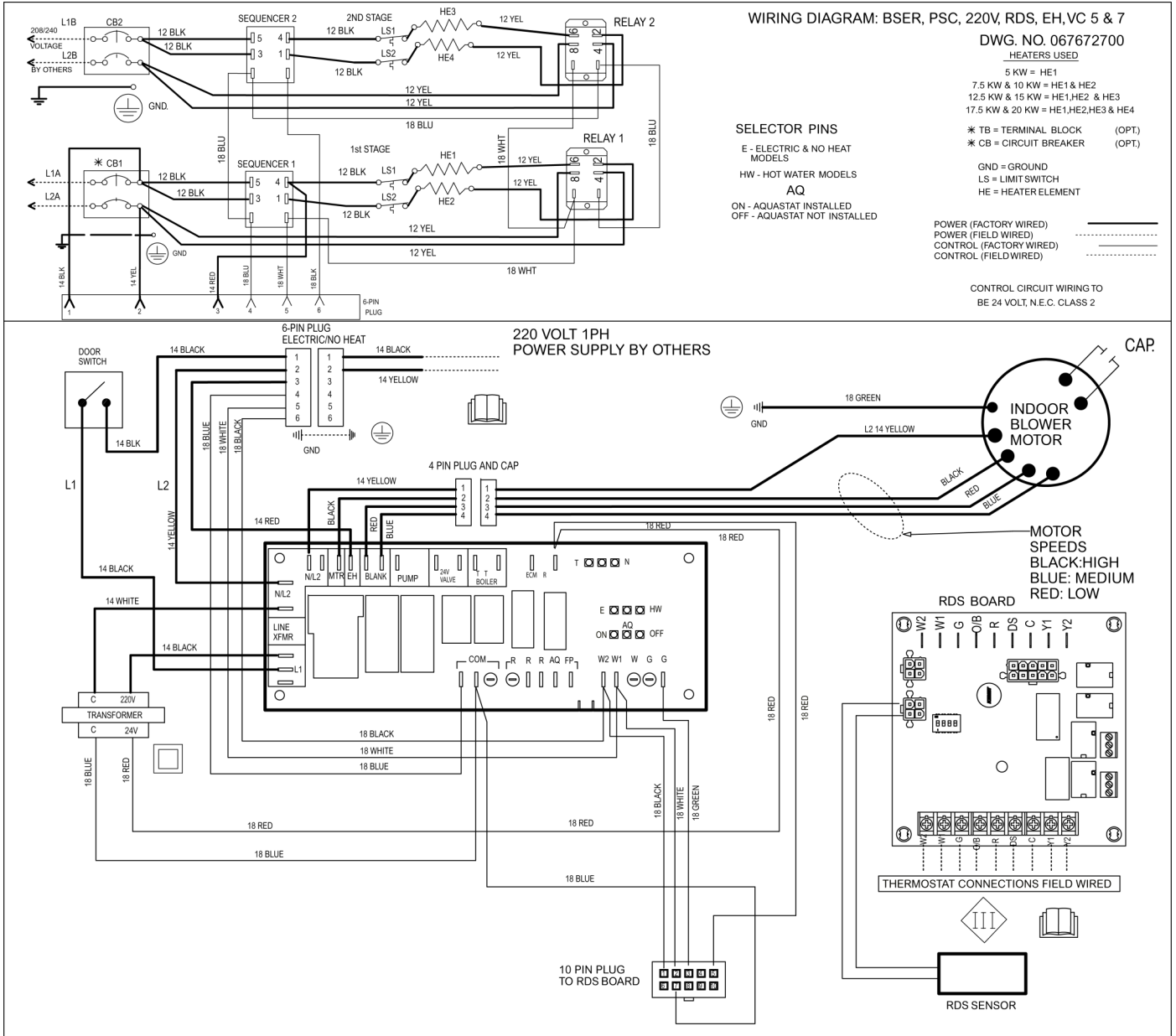


NOTE: 6-Pin Plug serves as connection for electric heat kits to control board.

If your unit is equipped with a multi-function control board, then for electric heat installations insure that heat selector pin is set to "E".

WIRING DIAGRAM

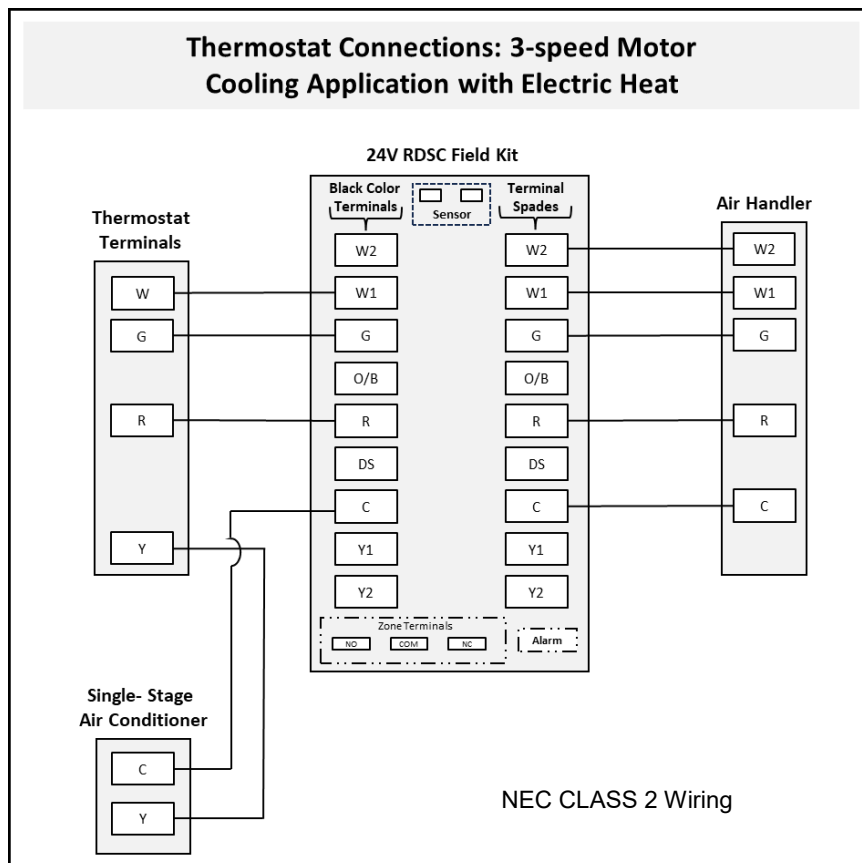
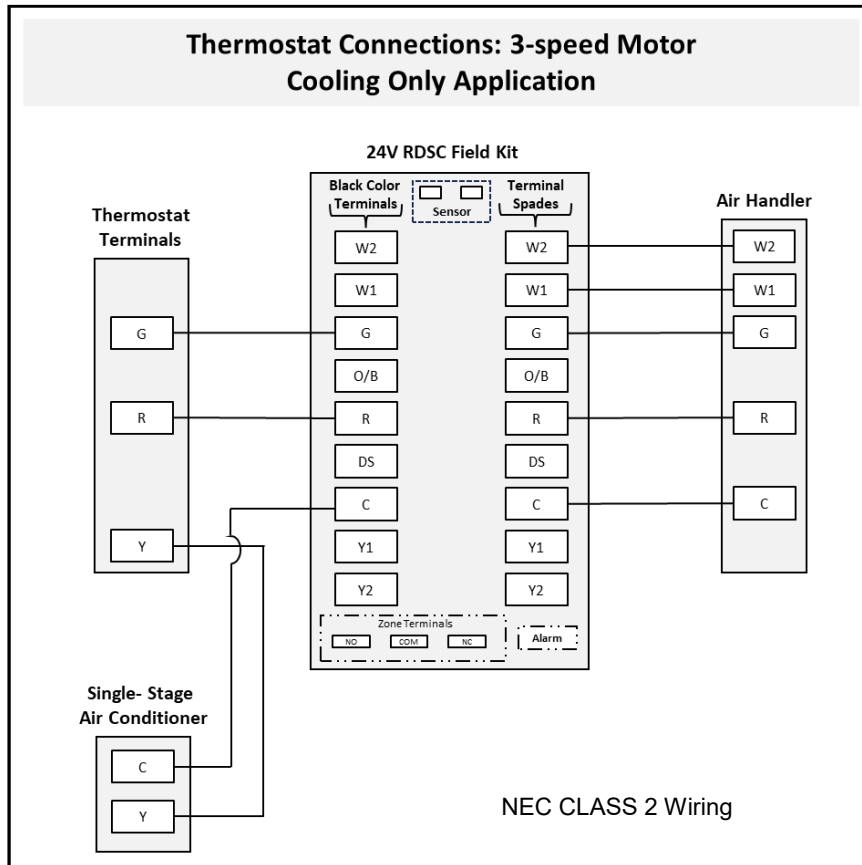
220 V - 3 SPEED PSC MOTOR



THERMOSTAT CONNECTIONS

3-Speed Motor (Electric Heat)

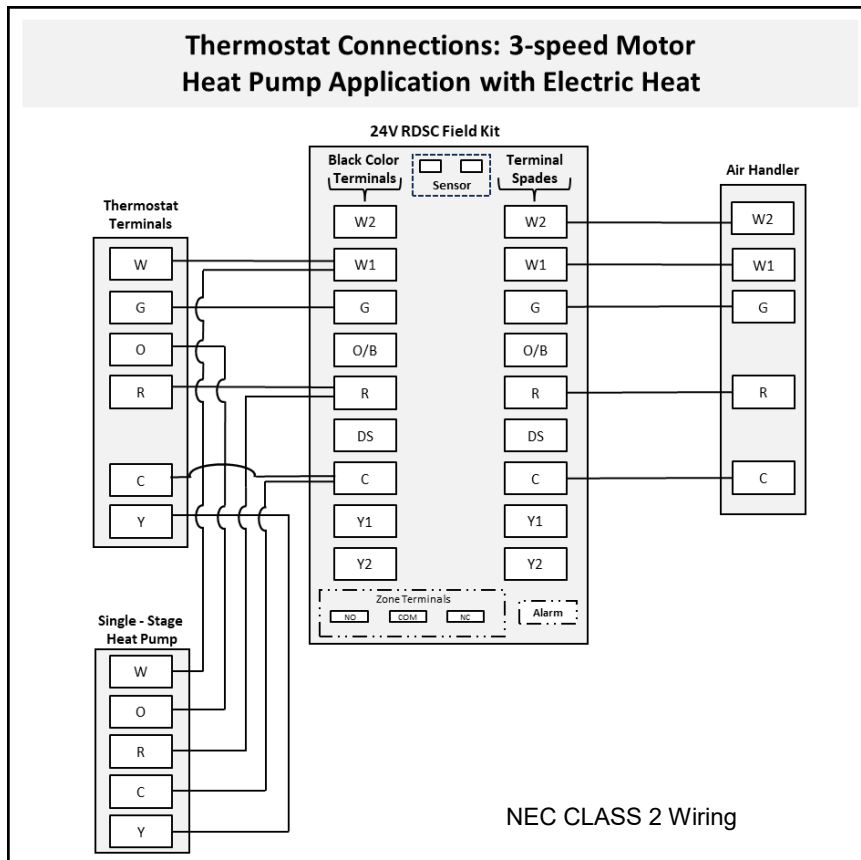
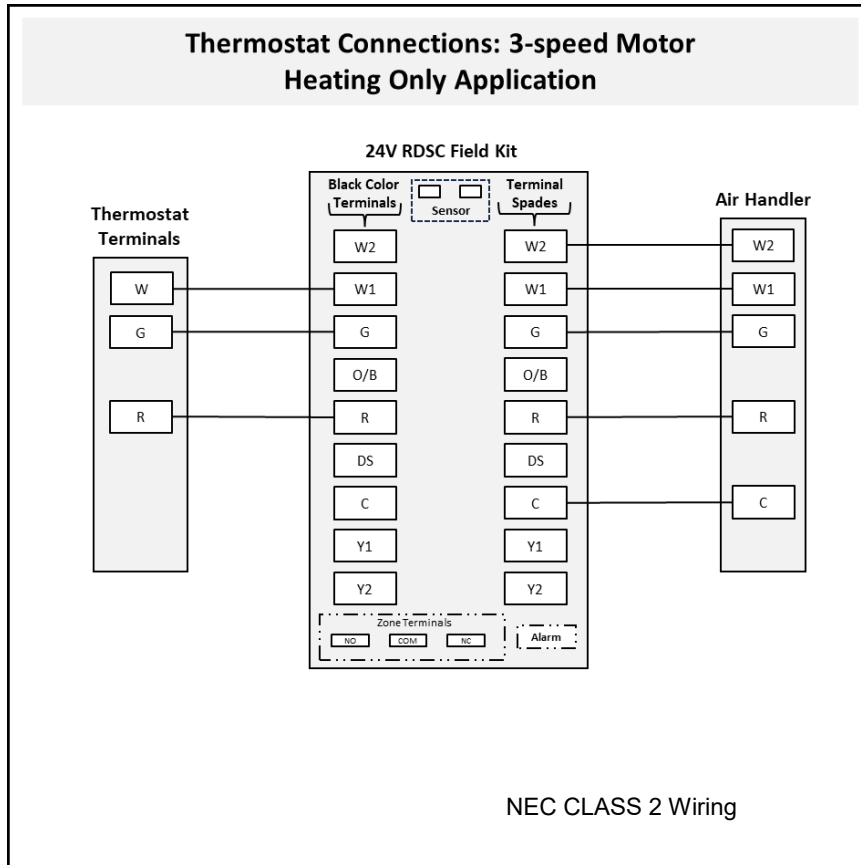
Maximum allowable current draw from power-stealing thermostats or other accessories is 18 mA. Exceeding this value may cause the Air Handler control board to operate abnormally.



THERMOSTAT CONNECTIONS

3-Speed Motor (Electric Heat)

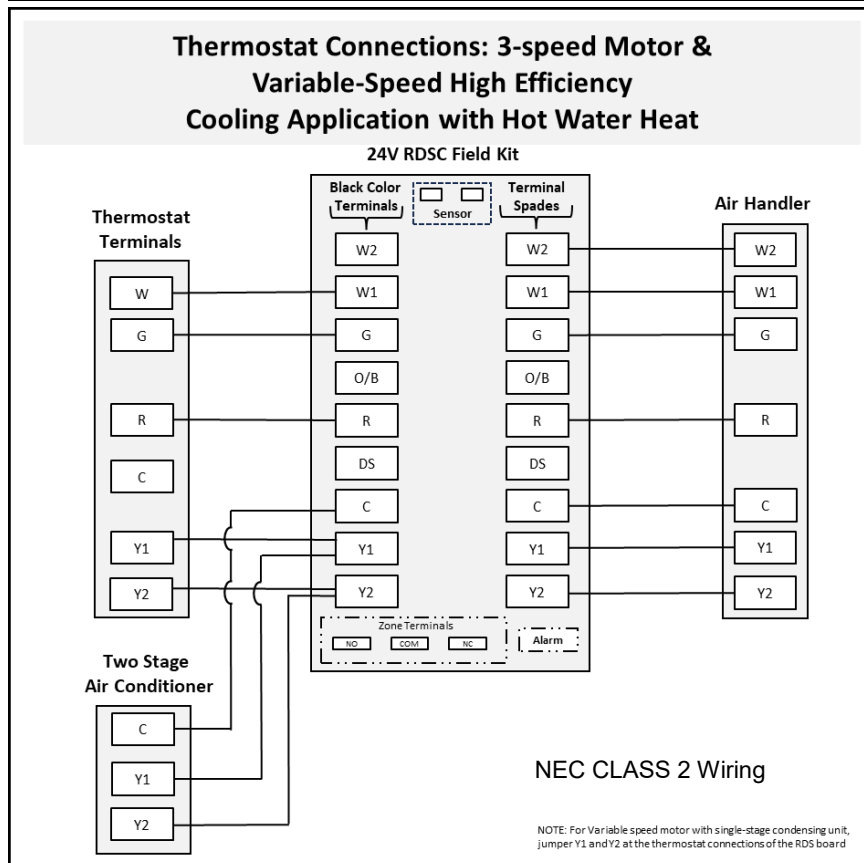
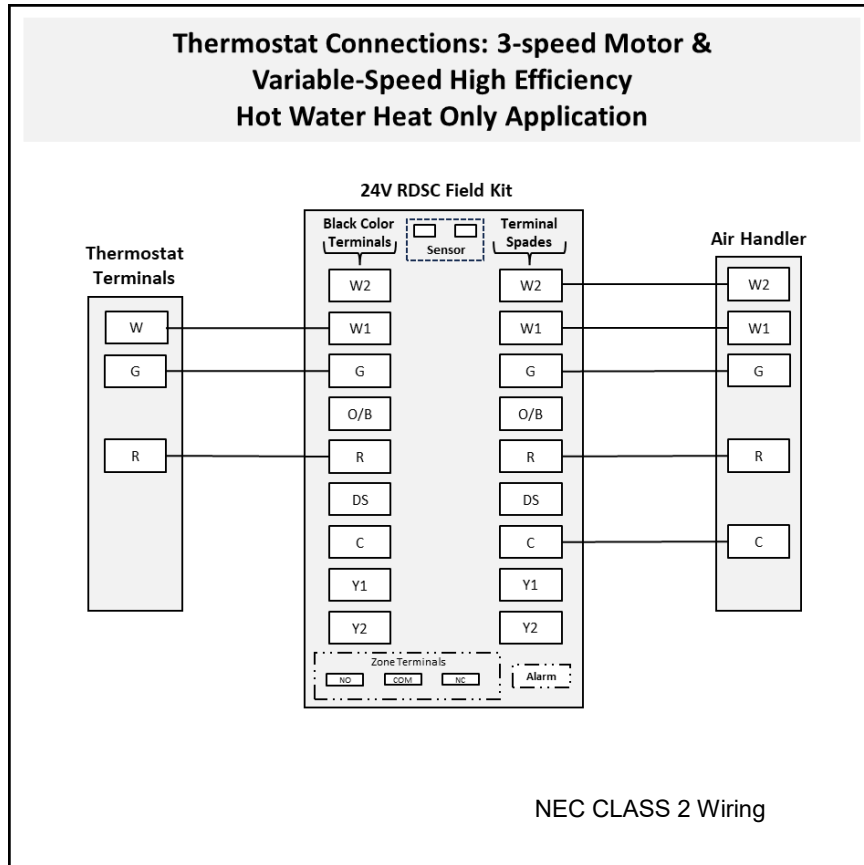
Maximum allowable current draw from power-stealing thermostats or other accessories is 18 mA. Exceeding this value may cause the Air Handler control board to operate abnormally.



THERMOSTAT CONNECTIONS

3-Speed Motor & Variable-Speed High Efficiency ECM Motor (Hot Water Heat)

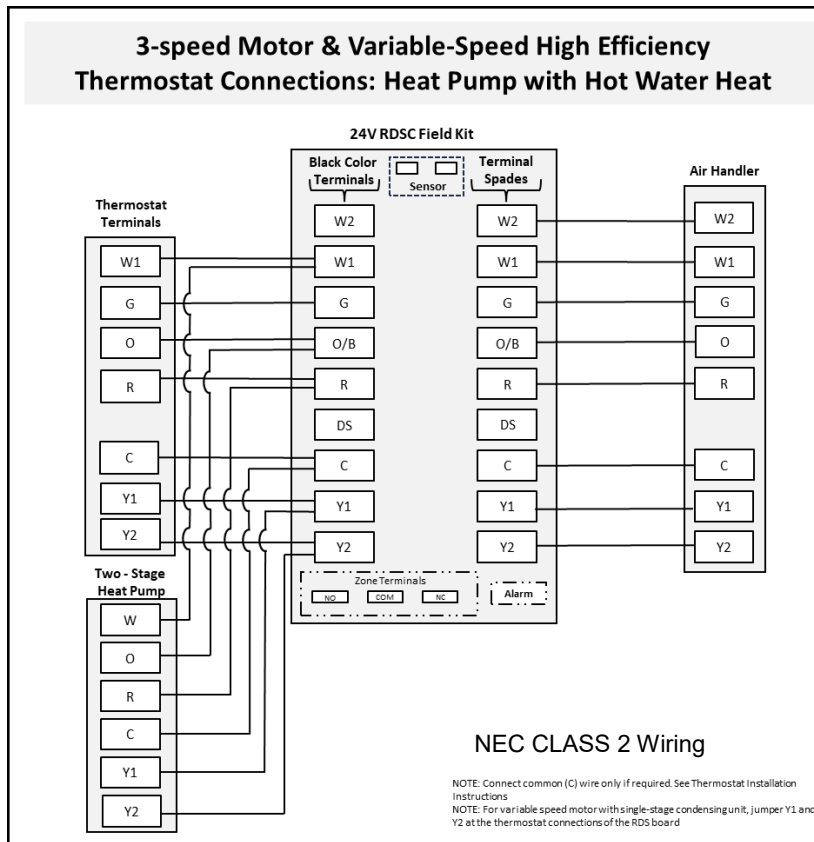
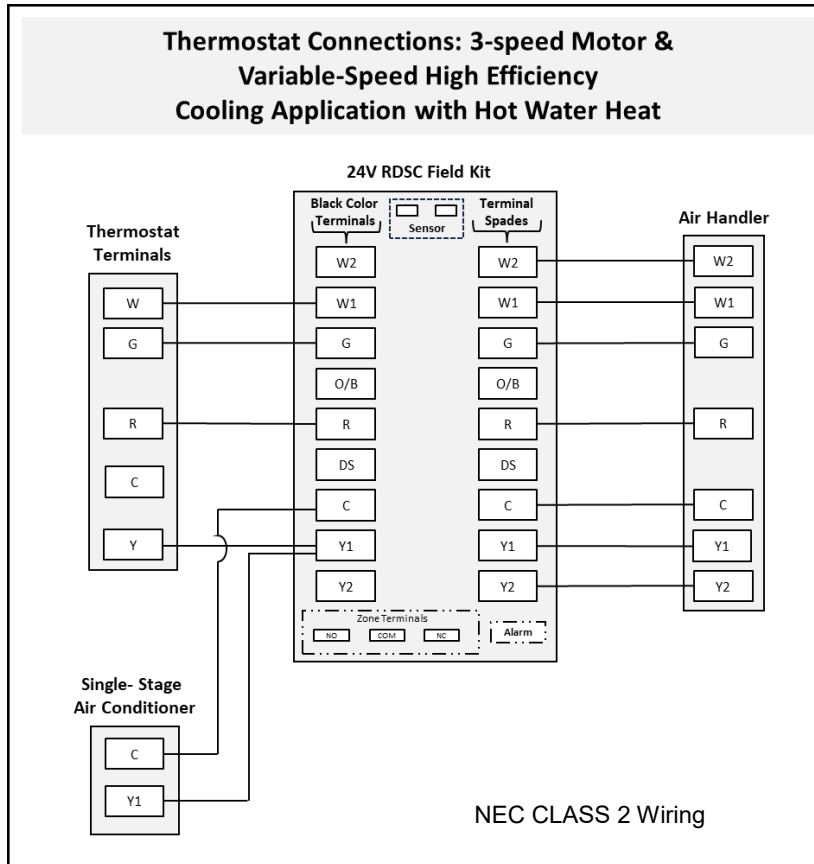
Maximum allowable current draw from power-stealing thermostats or other accessories is 18 mA. Exceeding this value may cause the Air Handler control board to operate abnormally.



THERMOSTAT CONNECTIONS

3-Speed Motor & Variable-Speed High Efficiency ECM Motor (Hot Water Heat)

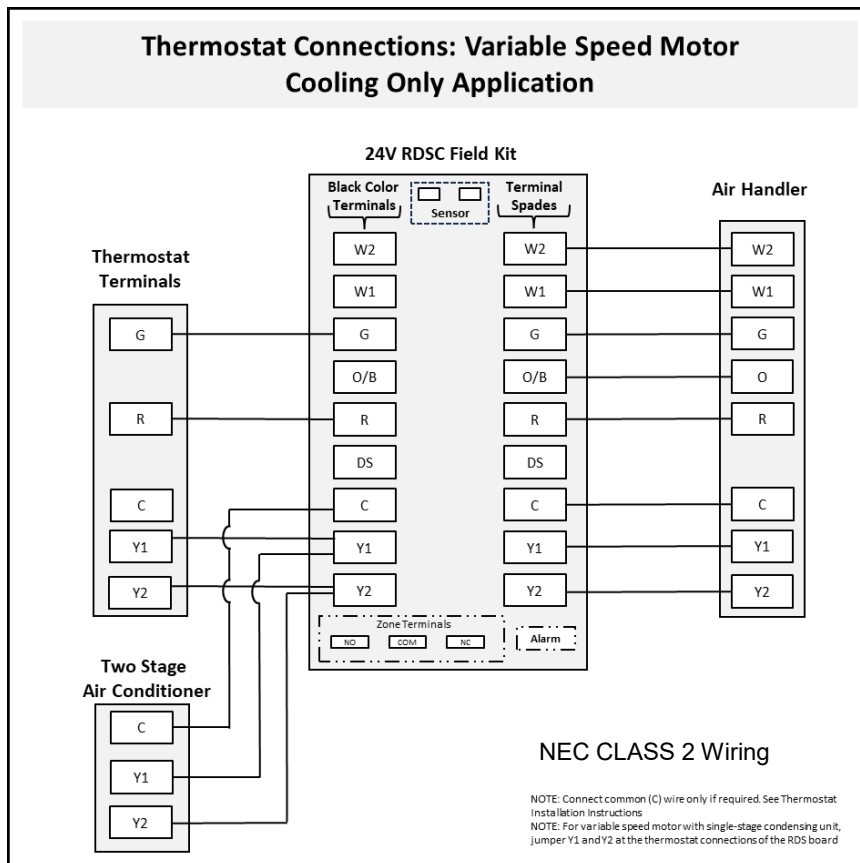
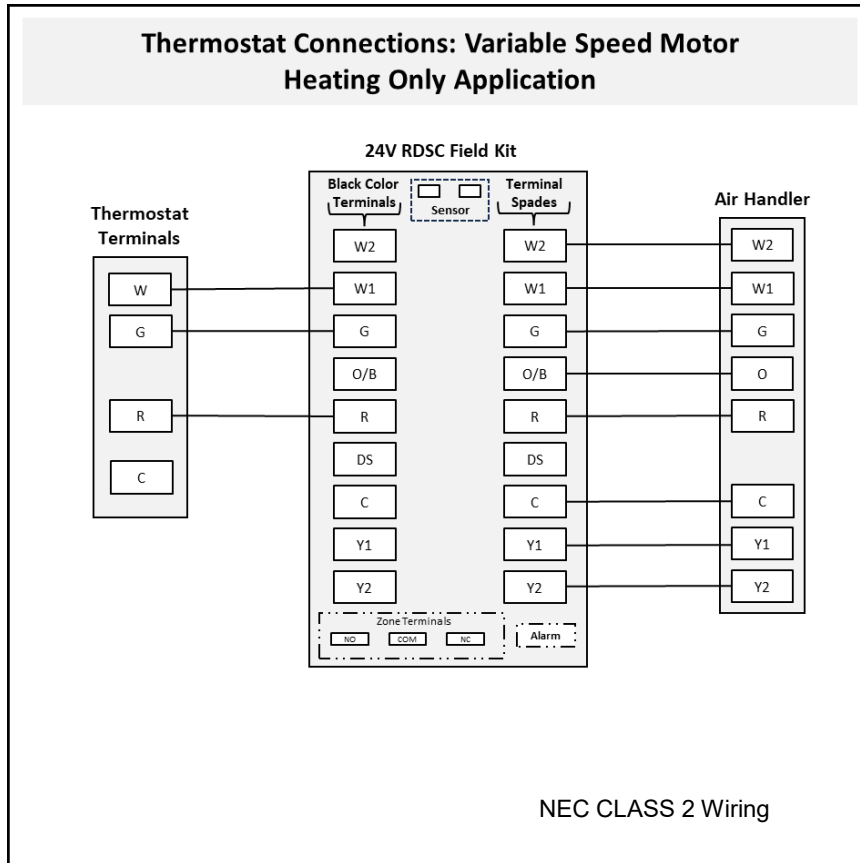
Maximum allowable current draw from power-stealing thermostats or other accessories is 18 mA. Exceeding this value may cause the Air Handler control board to operate abnormally.



THERMOSTAT CONNECTIONS

Variable-Speed High Efficiency ECM Motor (Electric Heat)

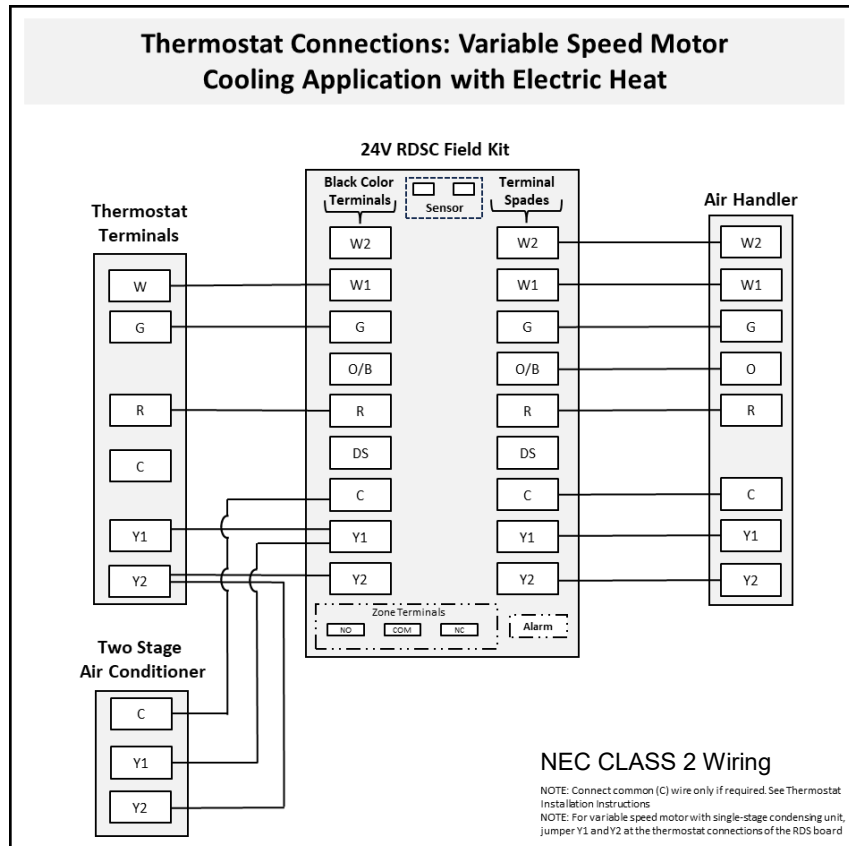
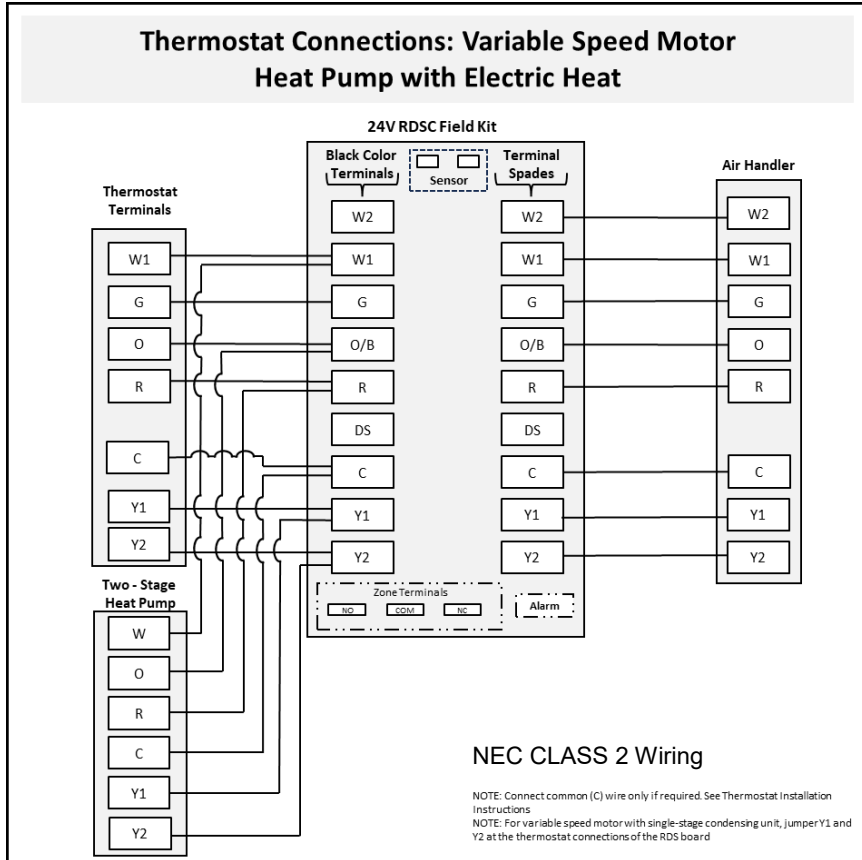
Maximum allowable current draw from power-stealing thermostats or other accessories is 18 mA. Exceeding this value may cause the Air Handler control board to operate abnormally.



THERMOSTAT CONNECTIONS

Variable-Speed High Efficiency ECM Motor (Electric Heat)

Maximum allowable current draw from power-stealing thermostats or other accessories is 18 mA. Exceeding this value may cause the Air Handler control board to operate abnormally.



BLOWER PERFORMANCE DATA

3-Speed Motor

All data is given while air handler is operating with a dry DX coil and air filter installed.

Speeds marked in **bold with asterisk*** are the factory speed settings for both heating and cooling.

Heating speeds should not be reduced below factory setting.

208/240V Motor		Airflow (CFM) vs. External Static Pressure (inches W.C.)									
Unit Size (MBUTH)	Fan Speed Setting	Electric Heat Models					Water Heat Models				
		0.10	0.20	0.30	0.40	0.50	0.10	0.20	0.30	0.40	0.50
12	*Low	640	635	619	584	513	608	603	588	555	487
	Med	907	861	808	743	659	862	818	768	706	626
	High	961	914	854	786	703	913	868	811	747	668
18	*Low	640	635	619	584	513	608	603	588	555	487
	Med	907	861	808	743	659	862	818	768	706	626
	High	961	914	854	786	703	913	868	811	747	668
24	Low	640	635	619	584	513	608	603	588	555	487
	Med	907	861	808	743	659	862	818	768	706	626
	*High	961	914	854	786	703	913	868	811	747	668
25	Low	757	725	673	602	549	719	689	639	572	522
	*Med	893	862	823	746	660	848	819	782	709	627
	High	1111	1059	1005	964	904	1055	1006	955	916	859
30	Low	757	725	673	602	549	719	689	639	572	522
	Med	893	862	823	746	660	848	819	782	709	627
	*High	1111	1059	1005	964	904	1055	1006	955	916	859
31	*Low	1221	1187	1099	1080	1018	1160	1128	1044	1026	967
	Med	1329	1267	1208	1146	1073	1263	1204	1148	1089	1019
	High	1383	1317	1260	1188	1103	1314	1251	1197	1129	1048
36	Low	1221	1187	1099	1080	1018	1160	1128	1044	1026	967
	*Med	1329	1267	1208	1146	1073	1263	1204	1148	1089	1019
	High	1383	1317	1260	1188	1103	1314	1251	1197	1129	1048
37	*Low	1251	1263	1253	1214	1133	1188	1200	1190	1153	1076
	Med	1396	1397	1371	1309	1215	1326	1327	1302	1244	1154
	High	1731	1668	1588	1487	1379	1644	1585	1509	1413	1310
42	Low	1251	1263	1253	1214	1133	1188	1200	1190	1153	1076
	*Med	1396	1397	1371	1309	1215	1326	1327	1302	1244	1154
	High	1731	1668	1588	1487	1379	1644	1585	1509	1413	1310
48	Low	1627	1582	1513	1432	1328	1546	1503	1437	1360	1262
	*Med	1801	1706	1620	1513	1398	1711	1621	1539	1437	1328
	High	1854	1748	1656	1552	1448	1761	1661	1573	1474	1376
60	Low	1640	1583	1552	1497	1439	1558	1504	1474	1422	1367
	*Med	1961	1892	1814	1704	1616	1863	1797	1723	1619	1535
	High	2072	2001	1889	1789	1643	1968	1901	1795	1700	1561

120V Motor		Airflow (CFM) vs. External Static Pressure (inches W.C.)									
Unit Size (MBUTH)	Fan Speed Setting	No Heat Models					Water Heat Models				
		0.10	0.20	0.30	0.40	0.50	0.10	0.20	0.30	0.40	0.50
12	*Low	499	493	470	437	401	458	445	431	402	368
	Med	671	636	611	557	490	631	611	581	543	485
	High	727	715	675	631	540	725	691	650	602	544
18	*Low	499	493	470	437	401	458	445	431	402	368
	Med	671	636	611	557	490	631	611	581	543	485
	High	727	715	675	631	540	725	691	650	602	544
24	Low	687	584	579	549	487	588	580	564	537	471
	Med	889	847	795	731	666	771	747	710	671	600
	*High	952	896	847	780	697	893	848	801	714	639
25	Low	819	812	805	782	735	781	777	773	760	741
	*Med	1015	1004	986	961	930	989	989	983	967	942
	High	1155	1149	1122	1090	1039	1095	1089	1072	1049	1020
30	Low	819	812	805	782	735	781	777	773	760	741
	Med	1015	1004	986	961	930	989	989	983	967	942
	*High	1155	1149	1122	1090	1039	1095	1089	1072	1049	1020
31	*Low	1121	1110	1099	1065	1023	1118	1111	1097	1060	1013
	Med	1302	1278	1233	1197	1144	1275	1261	1222	1168	1112
	High	1448	1391	1359	1298	1223	1355	1330	1317	1267	1196
36	Low	1121	1110	1099	1065	1023	1118	1111	1097	1060	1013
	*Med	1302	1278	1233	1197	1144	1275	1261	1222	1168	1112
	High	1448	1391	1359	1298	1223	1355	1330	1317	1267	1196
37	*Low	1190	1122	1052	1028	1003	1072	1011	947	926	903
	Med	1437	1355	1270	1241	1212	1351	1274	1194	1167	1139
	High	1449	1429	1389	1344	1298	1361	1342	1305	1263	1219
42	Low	1345	1331	1302	1282	1257	1153	1144	1144	1135	1135
	*Med	1681	1615	1587	1521	1487	1494	1445	1431	1395	1342
	High	1788	1727	1674	1603	1529	1666	1590	1571	1511	1469
48	Low	1568	1527	1502	1433	1397	1518	1440	1409	1383	1338
	*Med	1775	1724	1672	1563	1505	1652	1575	1541	1506	1459
	High	1881	1834	1765	1693	1597	1736	1668	1614	1564	1524
60	Low	1662	1650	1643	1614	1568	1646	1642	1639	1630	1606
	*Med	1853	1840	1813	1746	1675	1833	1826	1820	1766	1702
	High	2085	2038	1990	1916	1839	2065	2029	1981	1918	1847

BLOWER PERFORMANCE DATA

Variable-Speed High Efficiency ECM Motor

Unit Size (MBUTH)	Operating Mode	Thermostat Terminals						Control Board Taps							
		X = Energized Terminal						Cool				Heat			
		HUM	EM	W1	Y1	Y2	G	A CFM	B CFM	C CFM	D CFM	A CFM	B CFM	C CFM	D CFM
25	Continuous Blower						X	500	400	350	350				
	Hi Cooling / HP Heating	**			X	X		1000	800	700	600				
	Low Cooling/ HP Heating				X			700	560	490	420				
	Aux. Heat			X	X	X		***	***	***	***	1000	800	700*	600*
	Emer. Heat		X	X				***	***	***	***	1000	800	700*	600*
30, 31	Continuous Blower						X	600	500	400	350				
	Hi Cooling / HP Heating	**			X	X		1200	1000	800	600				
	Low Cooling/ HP Heating				X			840	700	560	420				
	Aux. Heat			X	X	X		***	***	***	***	1200	1100	1100	1100
	Emer. Heat		X	X				***	***	***	***	1200	1100	1100	1100
37	Continuous Blower						X	600	500	400	350				
	Hi Cooling / HP Heating	**			X	X		1200	1000	800	600				
	Low Cooling / HP Heating				X			840	700	560	420				
	Aux. Heat			X	X	X		***	***	***	***	1200	1100*	1100*	1100*
	Emer. Heat		X	X				***	***	***	***	1200	1100*	1100*	1100*
42	Continuous Blower						X	800	700	600	500				
	Hi Cooling / HP Heating	**			X	X		1600	1400	1200	1000				
	Low Cooling / HP Heating				X			1120	980	840	700				
	Aux. Heat			X	X	X		***	***	***	***	1600	1400	1200*	1100*
	Emer. Heat		X	X				***	***	***	***	1600	1400	1200*	1100*
48	Continuous Blower						X	800	700	600	500				
	Hi Cooling / HP Heating	**			X	X		1600	1400	1200	1000				
	Low Cooling / HP Heating				X			1120	980	840	700				
	Aux. Heat			X	X	X		***	***	***	***	1600	1400*	1200*	1100*
	Emer. Heat		X	X				***	***	***	***	1600	1400*	1200*	1100*
60	Continuous Blower						X	900	800	700	600				
	Hi Cooling / HP Heating	**			X	X		1850	1600	1400	1200				
	Low Cooling / HP Heating				X			1295	1120	980	840				
	Aux. Heat			X	X	X		***	***	***	***	1850	1600	1400*	1200*
	Emer. Heat		X	X				***	***	***	***	1850	1600	1400*	1200*

* This CFM is not approved for use with the highest kW heater size.

** Humidistat will reduce cooling airflow by 10% in high humidity.

*** Airflow is the greater of the COOL and HEAT values when both electric heat and heat pump are operating.

Adjust tap (+) will increase airflow by 10%, while tap (-) will decrease airflow by 12%.

Adjust tap TEST will cause the motor to run at 70% of full airflow. Use this for troubleshooting only.

At the start of a call for cooling there is a short run at 82% of airflow for 7.5 minutes.

At the end of a call for cooling there is a blower off delay of 1 minute.

OUTDOOR SYSTEM REQUIREMENTS

The air handler is designed to match, and must be used with, outdoor units as rated in AHRI. The indoor sections are manufactured with an interchangeable refrigerant metering device to provide optimum refrigerant control and system

performance with a variety of different capacities of outdoor units. In some cases, the AHRI rating may require that the air handler refrigerant metering device be changed to obtain rated performance.

LOCATION REQUIREMENTS

NOTE: When the unit is installed in a very humid space and used in cooling applications, excessive sweating may occur on outside of unit. To prevent excessive sweating wrap unit with 1" fiberglass insulation. All openings should be sealed to prevent air leakage that could cause condensate to form inside the cabinet.

- If installed in an unconditioned space, sealant should be applied around the electrical wires, refrigerant tubing, and condensate lines where they enter the cabinet.

- Electrical wires should be sealed on the inside where they exit the conduit opening. Sealant is required to prevent air leakage into and condensate from forming inside the air handler, control box, and on electrical controls.
- The air handler must be installed in such a way as to allow free access to the coil/filter compartment and blower/control compartment.

ELECTRICAL REQUIREMENTS

WARNING

Electrical Shock

Disconnect power before servicing.

Replace all parts and panels before operating.

Electrically ground air handler.

Connect ground wire to ground terminal marked .

Failure to do so can result in death or electrical shock.

Explosion Hazard

Keep flammable materials and vapors, such as gasoline, away from this unit.

Place this unit so that the heating elements are at least 18in (46cm) above the floor for a garage insulation.

Failure to follow these instructions can result in death, explosion or fire.

NOTE: Use copper conductors only.

- All field wiring must be done in accordance with National Electrical Code, applicable requirements of UL and local codes, where applicable.
- Electrical wiring, disconnect means and over-current protection are to be supplied by the installer. Refer to the air handler rating plate for maximum over-current protection, minimum circuit Ampacity, as well as operating voltage.
- The power supply must be sized and protected according to the specifications supplied on the product.

DUCTWORK REQUIREMENTS

IMPORTANT:

- Install the conditioned air plenum, ducts and air filters (not provided) in accordance with NFPA 90B Standard for the Installation of Warm Air Heating and Air-Conditioning Systems (latest edition).
- Connect supply air duct to the flange on top of the air handler. If an isolation connector is used, it must be nonflammable.
- A return air duct system is recommended. If the unit is installed in a confined space or closet, a return connection must be run to a location outside the cabinet.
- Supply and return ductwork must be adequately sized to meet the system's air requirements and static pressure capabilities. Ductwork should be insulated with a minimum of 1" thick insulation with a vapor barrier in conditioned areas and 2" minimum in unconditioned areas.

- Supply plenum should be the same size as the flanged opening provided around the blower outlet and should extend ideally at least 3 ft. from the air handler before turning or branching off plenum into duct runs. The plenum forms an extension of the blower housing and minimizes air expansion losses from the blower.
- Replacement air filters must be listed as Class 2 furnace air filters.

Filter Size Chart	
Unit Size (MBTUH)	Filter Size
12-24	12" x 20"
25-30 & 36	16" x 20"
31 & 37-48	16" x 24"
60	18" x 24"

INSTALLATION CLEARANCES

Clearance to combustible material to be 0 inches to unit casing, and 0 inches to plenum and duct for first 36 inches.

The air handler can be installed in a closet with a false bottom to form a return air plenum or be installed with a return air plenum under the air handler.

Louvers or return air grilles are field supplied. Local codes may limit application of systems without a ducted return to single-story buildings.

- Install louvers in a closet. Use the “Minimum Filter Requirements Chart” to determine the opening size that will provide the amount of free air you will require. If using louvers or grilles, match the free area rating of the louver or grille to the Minimum Return Air Free Area you determined to be necessary by consulting the “Minimum Filter Requirements Chart.”

CONFIGURATION OPTIONS

For ease of installation, it is best to make any necessary coil configuration changes before setting air handler in place.

- Vertical upflow Air Handlers only contain 1 drain pan.
- Multi-position Air Handlers contain 2 drain pans.

Vertical Installations (Upflow)

The air handler must be supported on the bottom only and set on solid floor or field supplied supporting frame. Securely attach the air handler to the floor or supporting frame. For best efficiency and airflow, horizontal drain pan (if installed) should be removed from units in upflow configurations.

Horizontal Installations

Horizontal installations can be left-hand or right-hand air supply.

Adequate support must be provided to ensure cabinet integrity. Units mounted horizontal should be mounted with a slight angle toward the drain connections (see Figure 5) so that the drain pan will empty completely without water standing in the pan.. Ensure that there is adequate room to remove service and access panels if installing in the horizontal position.

IMPORTANT:

- This coil is provided with a secondary drain that should be trapped and piped to a location that will give the occupant a visual warning that the primary drain is clogged. See “Install Condensate Drain.”
- When an evaporator coil is installed in an attic or above a finished ceiling, an auxiliary drain pan should be provided under the air handler as specified by most local building codes., and must have a larger footprint than the air handler.
- Extend suction line insulation into the coil cabinet by 2" to prevent moisture from dripping onto the insulation (the rubber grommet may need to be removed).

- If the free area is not known, assume a 25% free area for wood or a 75% free area for metal louvers or grilles.
- If the return air plenum is used, the return air grille should be immediately in front of the opening in the plenum to allow for the free flow of return air.
- When not installed in front of the opening, there must be adequate clearance around the air handler to allow for the free flow of return air.

Conversion from Vertical to Horizontal

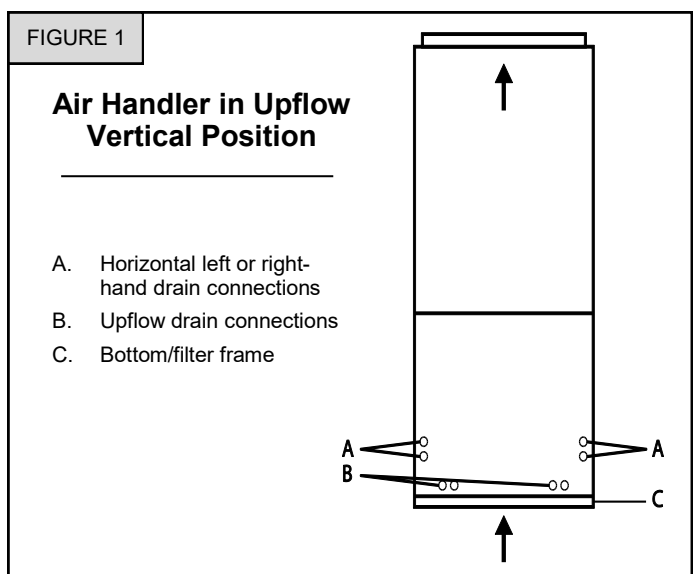
A vertical only air handler may be converted to horizontal air discharge by installing a horizontal drain pan kit (see accessories).

A multi-position air handler may be converted from horizontal left-hand discharge to horizontal right-hand discharge without additional parts.

Suspended Cabinet Installation

NOTE: Air handler must be positioned with one side parallel to the floor when in the horizontal position, with a 1/2" pitch towards drain.

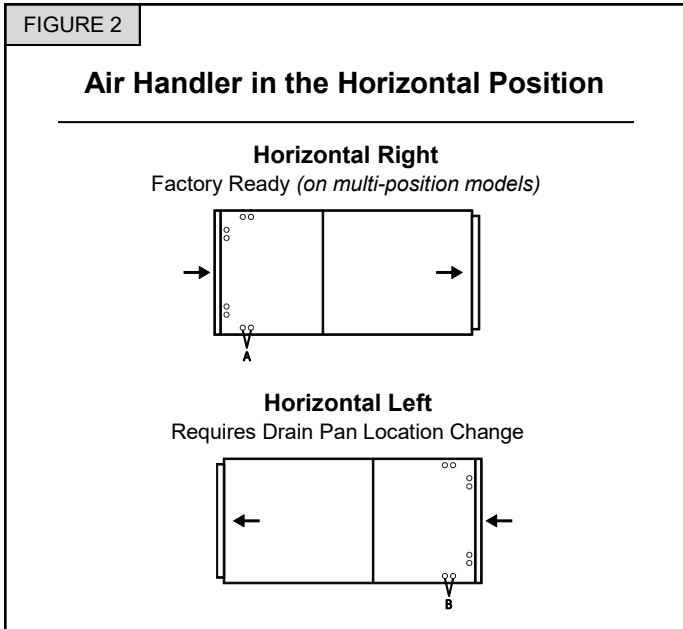
The suspending means must be field fabricated, and should consist of a minimum of two “cradles” made by attaching two 3/8" all thread rods to a length 1-5/8" x 7/8" unistrut. Cradles should not interfere with panel removal, drain connections, or refrigerant connections.



DRAIN PAN CONNECTIONS

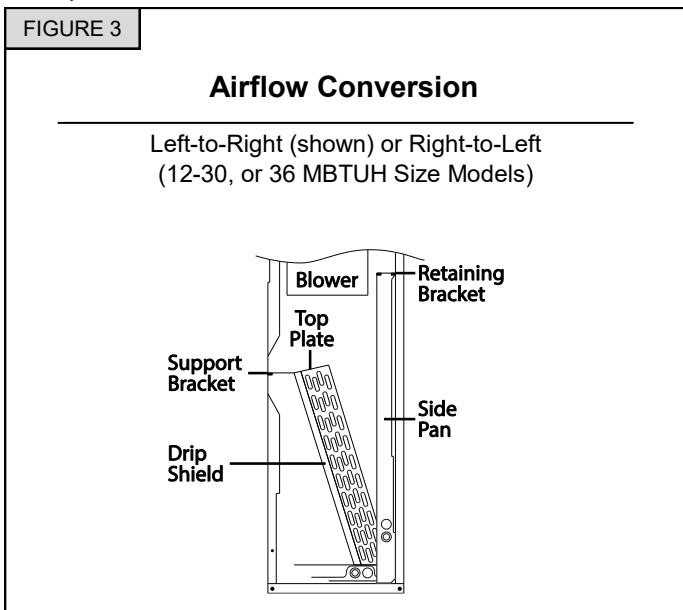
Horizontal installations can be either "Right" or "Left."

For horizontal right installations, a drain pan location change may be required. Use drain connections "A" below. For horizontal left installations, use drain connections marked "B" below.

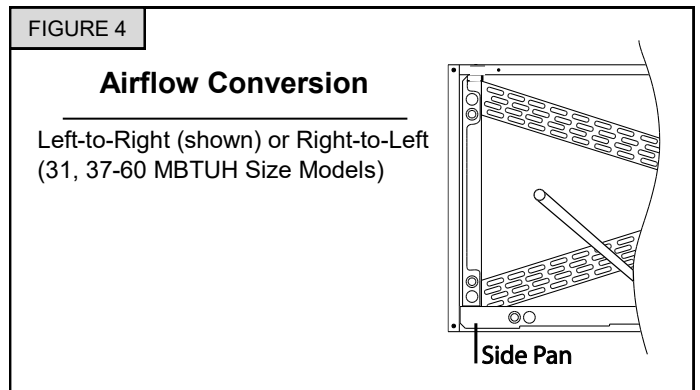


Models listed in Figure 3 are shipped in the horizontal right airflow configuration. To convert to horizontal left airflow, follow these steps:

1. Remove and set aside all front panels.
2. Locate slant coil support bracket and remove the 2 screws from the side of the cabinet.
3. Remove the horizontal drain pan retaining bracket.
4. Carefully remove coil assembly and drain pan(s) as one assembly from the unit.
5. If the air handler is to be used for upflow, the horizontal pan and bracket can be discarded.



6. Remove the screws holding the coil bracket to the left side of top plate. Reposition coil support bracket to right side of top plate.
7. Remove drip shield from front left-hand side of coil assembly and attach to front right-hand side.
8. Repeat for the rear drip shields. Failure to move drip shields will allow air by-pass around coil.
9. If needed for horizontal installation, slide the horizontal drain pan over the bottom pan. If vertical application, only install bottom pan. Install the pan(s) into bottom left hand side of the air handler. If installed properly the drains should match knockouts on the connection panel (Refer to drawing).
10. Install coil assembly back into unit.
11. Re-install slant coil support bracket retaining screws.
12. Knockout required panels for drain line connections. Models listed in figure 4 are shipped in the horizontal right airflow configuration. To convert to horizontal left airflow, follow these steps:

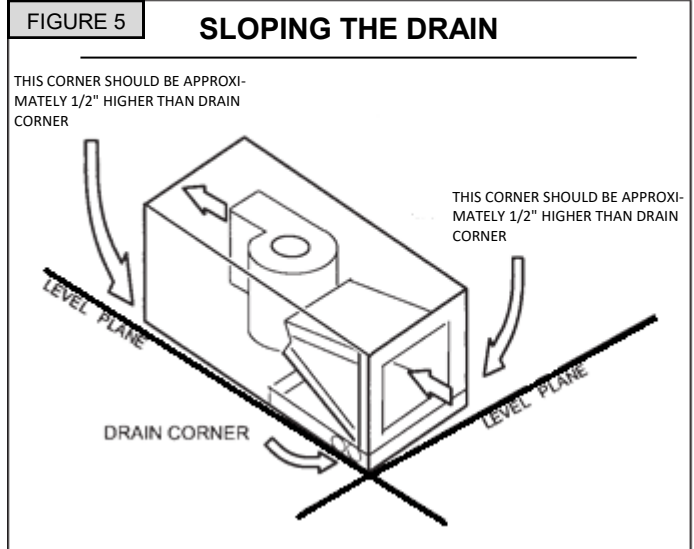


1. Remove and set aside front panels.
2. Carefully remove coil assembly and bottom drain pan as one assembly from the unit.
3. Move side drain pan from left hand side of coil to right.
4. Move coil support bracket under top plate from left hand side of coil to right.
5. Install modified coil assembly back into unit.
6. Knockout required panels for drain line connections.

CAUTION: Take care when removing coil assembly from unit. Installation in this configuration may cause the coil to tip into unit once clear of the cabinet. Support the coil when removing.

SLOPING THE DRAIN

Make sure the unit is sloped approximately 1/2" (similar to the slope shown in Figure 5) to ensure proper condensate drainage. **NOTE:** Sloping over 5/8" may cause blow off into the auxiliary drain hole in high static situations.



INSTALL CONDENSATE DRAIN

The air handler is provided with 3/4" NPT condensate drain connections.

A field fabricated secondary drain pan, with a drain pipe to the outside of the building, is required in all installations over a finished living space or in any area that may be damaged by overflow from the main drain pan. In some localities, local codes require a secondary drain pan for any horizontal installation. The secondary drain pan must have a larger footprint than the air handler.

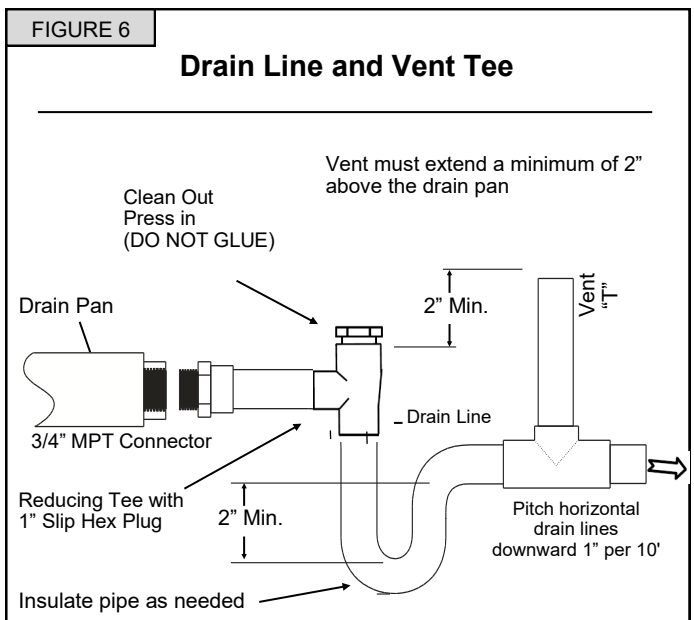
1. Remove the appropriate panel knockouts for drains. See "Drain Pan Connections" section. You may need to remove the indoor coil assembly from the cabinet.
2. Determine the drain connections to be used and note the difference between the primary (green) and secondary (red) openings. Drain plugs are provided for all openings; remove and discard the appropriate plugs with 1/2" drive ratchet and verify that remaining plugs are tight (2.5 ft-lbs). Attach drain line to pan with 3/4" male pipe thread PVC fittings. Hand tight is adequate – do not over tighten & do not reduce drain line size.
3. Secondary drain connections should be connected to a separate drainage system. Run this drain to a place in compliance with local installation codes where it will be noticed when unit is operational. Condensate flowing from the secondary drain indicates a plugged primary drain.
4. Install a 2" trap in the primary drain line as close to the unit as practical. Make sure the top of the trap is below the connection to the drain pan to allow complete drainage of the pan. **NOTE:** Horizontal runs must also have an anti-siphon air vent (standpipe) installed ahead of the horizontal run. See Figure 6. An extremely long horizontal run may require an oversized drain line to eliminate air trapping. **NOTE:** Do not operate air handler without a drain trap. The condensate drain is on the negative pressure side of the blower; therefore, air being pulled through the condensate line will prevent positive drainage without a proper trap.

5. Route the drain line to the outside or to an appropriate drain. Drain lines must be installed so they do not block service access to the front of the air handler. A 24" clearance is required for filter, coil, or blower removal and service access. **NOTE:** Check local codes before connecting the drain line to an existing drainage system.

6. Insulate the drain lines where sweating could cause water damage

Upon completion of installation, it is the responsibility of the installer to ensure the drain pan(s) is capturing all condensate, and all condensate is draining properly and not dripping into duct/system.

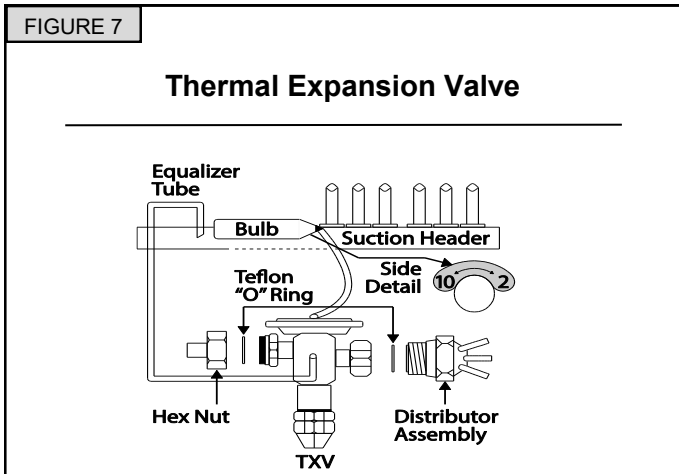
1. Pour several quarts of water into drain pan, enough to fill drain trap and line.
2. Check to make sure the drain pan is draining completely, no leaks are found in drain line fittings, and water is draining from the end of the primary drain pan.
3. Correct any leaks found.



METERING DEVICE

Thermal Expansion Valve (TXV)

Some models are equipped with a factory installed thermal expansion valve. The sensing bulb of the valve needs to be removed during installation and reattached to the header (Fig 7). For optimum performance, attach and insulate the bulb at a 10 or 2 o'clock position outside of the cabinet to the main suction line no more than one foot from suction line connection. If necessary, the bulb can be installed on a vertical suction line. In this instance, the bulb must be placed before any trap, with the bulb's capillary tube facing upward.

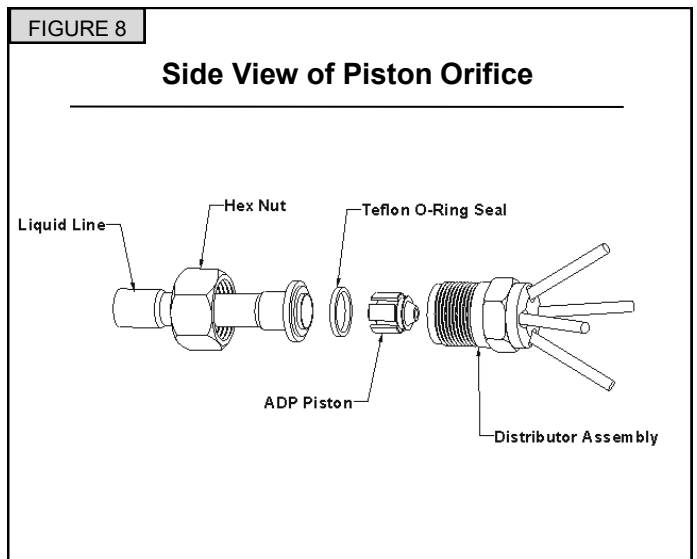


Pistons

As shipped from the factory, the piston installed in each coil is chosen for the nominal BTUH capacity of the coil. A label on the liquid line identifies the piston size. For optimum performance the piston should be sized to match the nominal BTUH of the condensing unit.

When changing pistons use the following procedure:

1. Loosen hex nut located on liquid line and separate from distributor assembly.
2. Remove the existing piston from inside the distributor assembly.
3. Insert the desired piston into the distributor assembly.
4. Inspect "O" ring and replace if damaged. Ensure gasket is in place.
5. Re-install hex nut to body and torque to 10 ft-lbs.



A2L LABEL INSTALLATION

Permanently mark the serial label with the appropriate A2L (R-454B & R-32) refrigerant & metering device used. See example below.

REFRIGERANT: FACTORY CONFIGURED FOR R-454B
 ● **FIELD INSTALLED AS R-454B**
FIELD CONFIGURED TO
 ○ **R-32**

METERING DEVICE
 ● **TXV**
 ○ **PISTON**

REFRIGERANT LINE INSTALLATION

Refrigerant lines must be connected by a licensed, EPA certified refrigerant technician in accordance with established procedures.

IMPORTANT:

- Connecting refrigerant lines must be clean, dehydrated, refrigerant-grade copper lines. Air handler coils should be installed only with specified line sizes for approved system combinations.
 - Use care with the refrigerant lines during the installation process. Sharp bends or possible kinking in the lines will cause a restriction.
 - Do not remove the caps from the lines or system connection points until connections are ready to be completed.
1. Route the suction and liquid lines from the fittings on the indoor coil to the fittings on the outdoor unit. Run the lines in a direct path, avoiding unnecessary turns and bends.
 2. Ensure that the suction line is insulated over the entire exposed length and that both suction and liquid lines are not in direct contact with floors, walls, ductwork, floor joists, or other piping.

3. Connect the suction and liquid line to the evaporator coil.
4. To avoid damaging the rubber grommets in the cabinet while brazing, slide the rubber grommets over the refrigerant lines until they are away from the heat source.
5. Braze with an alloy of silver or copper and phosphorus with a melting point above 1,100°F. **NOTE:** Do not use soft solder.
6. Reinstall the rubber grommets after brazing is finished.
7. Make sure the outdoor air conditioning unit has been put in place according to the Installation Instructions and is connected to the refrigerant lines.

ADP recommends installing a filter drier and sight glass in the liquid line. While brazing, purge the system with Nitrogen to prevent contamination. ADP recommends reattaching and insulating the TXV sensing bulb at a 10 or 2 o'clock position on the suction line, outside the coil housing, no more than one foot from the connection. Evacuate the system to 500 microns to ensure proper air and moisture removal (**Note: Deep evacuation or triple evacuation method recommended**). Open the suction service valve slowly and allow the refrigerant to bleed into the system before opening the liquid service valve.

REFRIGERANT CHARGING INSTRUCTIONS

When charging in cooling mode, the outdoor temperature should be 60°F or higher. To allow the pressures to stabilize, operate the system a minimum of 15 minutes between adjustments. When adjusting charge to systems with micro-channel outdoor coils, make small (1 ounce or less) adjustments as these systems are very sensitive to refrigerant charge.

TXV Charging^{2,3,4} – Use the charging method recommended by the outdoor unit instructions. Alternatively, ADP recommends charging to 12°F sub-cooling for AC units and 10°F sub-cooling for heat pump units. In addition, if equipped with an adjustable valve, adjust to 10°F superheat.

Fixed Orifice Charging^{2,3,4} – Use the superheat recommended by the outdoor unit instructions.

For heat pump units initially charged in the cooling mode, final adjustments to charge in the heating mode are acceptable if necessary. Some heat pump units require charging in the heating mode. In this case, refer to the outdoor instructions for recommended charging procedures.

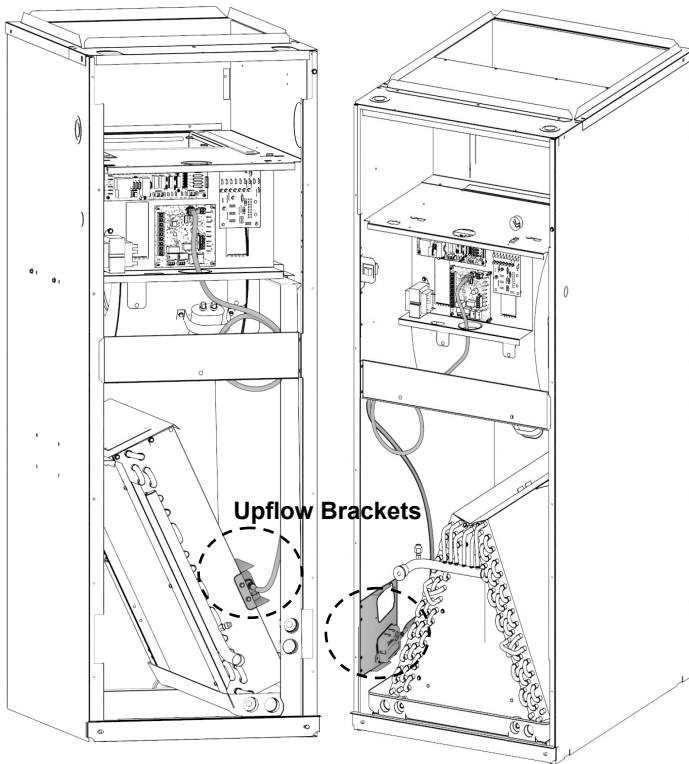
If the system is undercharged after the initial charge, add refrigerant until the sight glass is clear and recommended pressures, temperatures, sub-cooling and superheat can be obtained. If the system is overcharged after the initial charge, recover refrigerant until recommended pressures, temperatures, sub-cooling and superheat can be obtained.

Notes:

1. If any problems or questions regarding charge occur, contact customer service.
2. OEM charging methods vary depending on design and application. Verify all recommended pressures, temperatures, sub-cooling and superheat settings result in the proper charge.
3. ADP coils may require charge compensation due to size variation versus the OEM coil.
4. Temperatures are $\pm 2^\circ\text{F}$ unless otherwise recommended.

Models	Minimum Air flow Q_{min} (CFM)	Maximum allowed refrigerant charge in an installation (lbs)	
		R-454B	R-32
B-12	458	16.9	17.5
B-18	458	16.9	17.5
B-24	588	21.7	22.5
B-25	528	19.5	20.2
B-30	528	19.5	20.2
B-31	528	19.5	20.2
B-36	1118	30.0	30.0
B-37	528	19.5	20.2
B-42	880	30.0	30.0
B-48	880	30.0	30.0
B-60	1056	30.0	30.0

A2L REFRIGERANT DETECTION SENSOR



Slant Coil Models

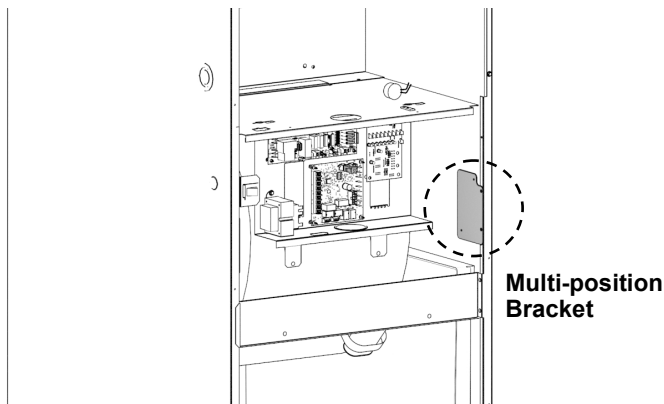
A-Coil Models

NOTE: The air handler will be factory configured for the up flow application with the A2L (R-454B & R-32) refrigerant sensor positioned at the bottom of the air handler as shown above utilizing the upflow sensor bracket.

Upflow Configuration

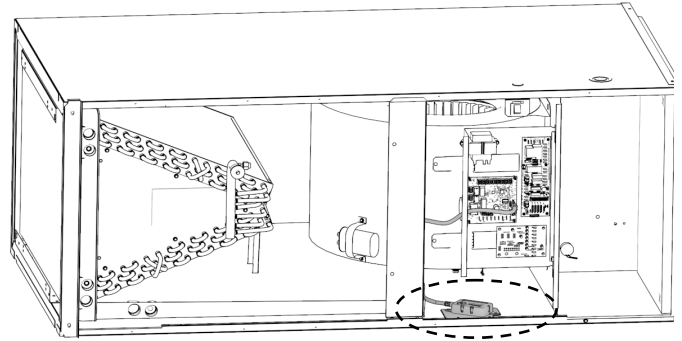
1. Ensure the upflow sensor bracket is always assembled to the air handler as shown above.
2. Confirm that the sensor is always plugged to the “Sensor #1” port on the refrigerant detection system (RDS) control board

NOTE: Air handlers with A-coils will have an additional sensor bracket mounted to the cabinet near the control panel as shown below. This bracket is the multi-position bracket and must be used for horizontal left or horizontal right configurations.



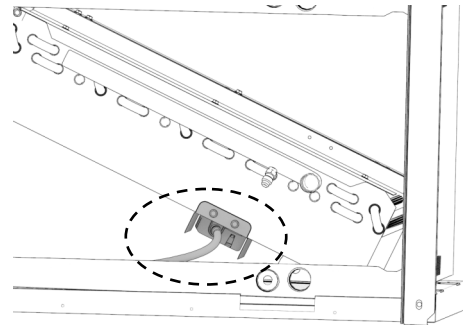
Horizontal Right Configuration

1. Slant coil models can be installed in the horizontal right configuration without any modifications to the sensor location as installed from the factory.
2. For A-coil models, remove the sensor from the upflow bracket and assemble to the multi-position bracket as shown below.
3. Confirm that the sensor is always plugged to the “Sensor #1” port on the refrigerant detection system (RDS) control board

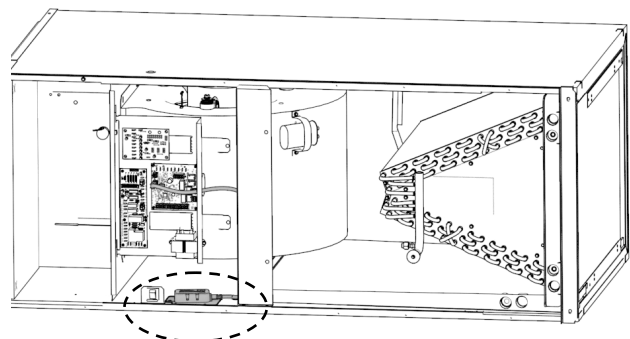


Horizontal Left Configuration

1. For slant coil models, once the position of the coil has been changed, assemble the sensor with bracket to the coil, with the sensor facing the drain pan as shown below.
2. Confirm that the sensor is always plugged to the “Sensor #1” port on the refrigerant detection system (RDS) control board



3. For A-coil models, once the coil and drain pan have been repositioned, relocate the multi-position sensor bracket and assemble the sensor as shown below.
4. Confirm that the sensor is always plugged to the “Sensor #1” port on the refrigerant detection system (RDS) control board



A2L REFRIGERANT DETECTION SYSTEM CONTROLLER

DIP SWITCH SETTINGS

Adjust the DIP switch settings to the sensor configuration. Failure to do so will cause faults on power-up.

Each DIP switch corresponds to a sensor position (i.e., DIP switch 1 to sensor 1; DIP switch 2 to sensor 2). The default factory switch positions are set to OFF. The RDSC software reads the OFF position as active. Setting the switch to ON disables the sensor position. The following table shows all possible configurations. Configurations other than the ones shown below will cause a servicing fault.

Configurations other than the ones shown below in table 1 will cause a servicing fault.

Configuration	DIP1	DIP2
One (1) sensor; in connector 1	OFF	ON
Two sensors; in connector 1, 2.	OFF	OFF

TABLE 1: DIP SWITCH SETTINGS

DIAGNOSTIC CODES

The RDSC is equipped with a light emitting diode (LED) found within its enclosure. The LED signals the state of the RDSC. See Table 2 and Table 3 to review the flash codes.

State	LED Flash Code	Action
Initializing	Flashing green	N/A
Monitoring	Solid green with blue flash	N/A
Mitigating (Leak Detected)	Flashing blue	Check coil tubes for leak. Repair the issue and restart the equipment.
Fault / Service	Solid blue, interrupted by issue code	Refer to RED LED DIAGNOSTIC CODES / TROUBLESHOOTING.

TABLE 2: LED FLASH CODES

Red Flash	Per Sensor	Issue	Action
1	Yes	Sensor Fault	Replace the Sensor
2	Yes	N/A	N/A
3	Yes	Incompatible sensor type	Replace with compatible sensor
4	Yes	Sensor communication issue	Check sensor connection. Ensure connection is clean and tight.
5	No	Bad relay/ bad wiring	Check for 24VAC power connection to the R terminal inputs on the RDSC. R-inputs must be energized for the RDSC to function.
6	No	Invalid configuration of sensor count	Verify the Dip switch setting is correct and matches the number of sensors being used.

TABLE 3: RED LED DIAGNOSTIC CODES / TROUBLESHOOTING

TEST BUTTON FUNCTIONALITY

The RDSC is equipped with a Test/Reset button. The Test button can be used to complete several functions, depending on the mode of operation of the RDSC. Table 4 lists the functions of the Test button during each mode of operation.

Mode of Operation	Short Press the Test Button to....
Normal	Trigger a leak detection response. Verify all equipment is wired correctly in to the RDSC (after installation).
Leak Detected	Reset the RDSC to a normal mode of operation after a previous leak has been detected and purged from the HVAC system.
Fault	Reset the RDSC after troubleshooting and resolving a fault condition. If the fault is not resolved, the RDSC will enter the Fault mode again.

TABLE 4: TEST BUTTON FUNCTIONALITY

ADDITIONAL FUNCTIONS OF THE TEST BUTTON

Table 5 lists the additional functions of the Test Button while the RDSC is functioning within the states of Initializing, Monitoring, Mitigating, Servicing and Fault.

STATE	PRESS	ACTION
Initializing	Short	If sensor enumeration is complete, skip remaining pre-purge.
Initializing	Long	Reset Control Board
Monitoring	Short	Clear purge-counter if prior mitigation has occurred; test mitigation
Monitoring	Long	Reset Control Board
Mitigating	Short	If testing mitigation, end test.
Servicing	Short	Re-evaluate fault condition—if cleared return to monitoring, otherwise update indicator.
Servicing	Long	Reset Control Board
Fault	Short	Re-evaluate fault condition—if cleared return to
Fault	Long	Reset Control Board

TABLE 5: ADDITIONAL TEST BUTTON FUNCTIONS

THERMOSTAT COMPATIBILITY

The following types of thermostats are compatible with the RDSC:

- Thermostats equipped with non-volatile memory
- Battery-powered thermostats
- Analog thermostats
- Smart thermostats
- Late-model programmable thermostats

Note: Digital and early-generation programmable thermostats may not operate if disconnected from power. These types of thermostats may not retain the operation mode and temperature setpoints.

The following are examples that are likely to occur when home occupants are not available to adjust the thermostat setpoints:

- Heating could be lost during a cold night.
- Cooling could be lost during a hot day.
- The thermostat could reset to an incorrect temperature setpoint.

Compatibility Verification

Complete the following process to determine whether the thermostat is compatible with the RDSC.

1. Note the thermostat's current setpoint and operating mode.
2. Power cycle the breaker to the furnace.

NOTE: Wait (5) minutes before supplying power to the furnace breaker.

3. Note whether the thermostat maintained its setpoints and operating mode.
 - a. If the thermostat maintained the settings, the thermostat is compatible with the RDSC.
 - b. If the thermostat did not maintain its setpoint and/or operating mode, the thermostat is not compatible with the RDSC. Recommend a compatible thermostat.

MODES OF OPERATION

The modes of operation for the RDSC are Initializing, Normal, Leak Detected, and Fault.

Initializing

The RDSC is establishing connection with the refrigerant detection sensor and is completing an initial (5) minute purge sequence.

Normal

The HVAC system is functioning normally. The RDSC has not detected a refrigerant leak.

Leak Detected

When the RDSC detects a refrigerant leak:

1. The RDSC shuts off the (R) input (24VAC power) to the thermostat, which de-energizes the outdoor unit compressor and heat sources, such as gas and/or electric strip heat. No heating or cooling demands will be met.
2. The RDSC activates the blower (high speed). The blower purges refrigerant from the cabinet, plenum, and ductwork.

3. After the RDSC determines the refrigerant levels are below the safety threshold, the blower will continue to function for an additional seven (7) minutes.
4. After the blower sequence is complete, the HVAC system resumes normal operation.

NOTE: *The HVAC system may not maintain a cooling or heating setpoint if a significant leak exists. Any refrigerant leaks that remain unaddressed for an extended time may cause the HVAC system to shut down on low refrigerant pressure limit condition.*

Fault

When a fault is detected within the RDSC, the furnace blower engages and remains engaged at a constant output until the RDSC is replaced.

START UP TEST PROCEDURE

The RDSC is equipped with a Test/Reset button, see "Test Button Functionality" on page 10. After the RDSC has been mounted and wired, restore power to the HVAC system. The system will then run through a purge sequence for (5) minutes. After the purge sequence is complete, proceed to testing cooling demand and heating demand.

Cooling Demand

1. Prompt a cooling demand at the thermostat.
2. Press the Test button on the RDSC. The system then executes a leak detection response.
3. Observe the following sequence:
 4. The LED indicator flashes the sequence for leak detection (flashing blue).
 5. The blower powers up.
 6. The outdoor compressor powers down.
7. Press the Test button to terminate the simulated Leak De-

tection mode upon test completion.

Heating Demand

1. Prompt a heating demand at the thermostat.
2. Observe the following sequence:
 - a. The LED indicator flashes the sequence for leak detection (flashing blue).
 - b. The blower powers up.
 - c. The gas burners power down.
 - d. The outdoor compressor powers down.

The installation of the RDSC is complete after both sequences are successfully completed.

ADDITIONAL APPLICATIONS

In zoned applications, all dampers will remain open when the RDSC is in Fault or Leak Detected mode. Normal heating and cooling demands are permissible, but the blower will remain engaged until the fault condition is addressed.

Zone HVAC System

If the RDSC is installed in a zone HVAC system, the RDSC will open all zone dampers if a leak is detected.

Note: Proper wiring of the zone panel to the RDSC is required for all zone dampers to open.

After the purge sequence is complete, the zone system will resume normal operation.

For proper wiring refer to damper IOM.

External Alarm

(For applications with external alarms wired directly to the RDSC)

The RDSC triggers the external alarm system when it enters the Leak Detected mode.

For proper wiring refer to Alarm IOM.

SUPPLY VOLTAGE CONNECTIONS

⚠ **WARNING** ⚠

Electrical Shock

Disconnect power before servicing.

Replace all parts and panels before operating.

Electrically ground air handler.

Connect ground wire to ground terminal marked .

Failure to do so can result in death or electrical shock.

Explosion Hazard

Keep flammable materials and vapors, such as gasoline, away from this unit.

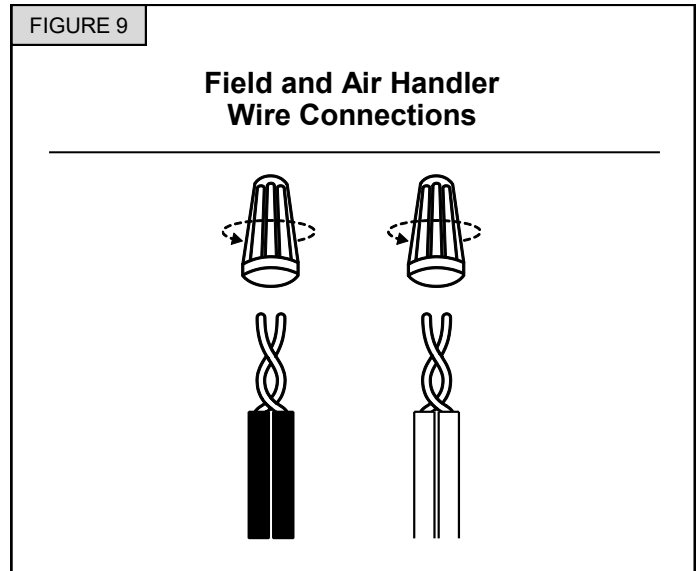
Place this unit so that the heating elements are at least 18in (46cm) above the floor for a garage insulation.

Failure to follow these instructions can result in death, explosion or fire.

1. Disconnect all power supplies.
2. Remove the air handler access panel.
3. Route the field supply wires to the air handler electrical connection box.
4. Using UL listed wire nuts, connect the field supply wires to the air handler; black-to-black, and yellow-to-yellow (240V) or white-to-white (120V), as shown in Figure 8.
5. Connect ground wire to ground terminal marked "GND."
6. Replace the air handler access panel.

Unit Size (MBTUH)	Electric Heat Kit (kW)
12	5
18, 24	10
25	15
30	17.5
31	15
36, 37, 42, 48, 60	20

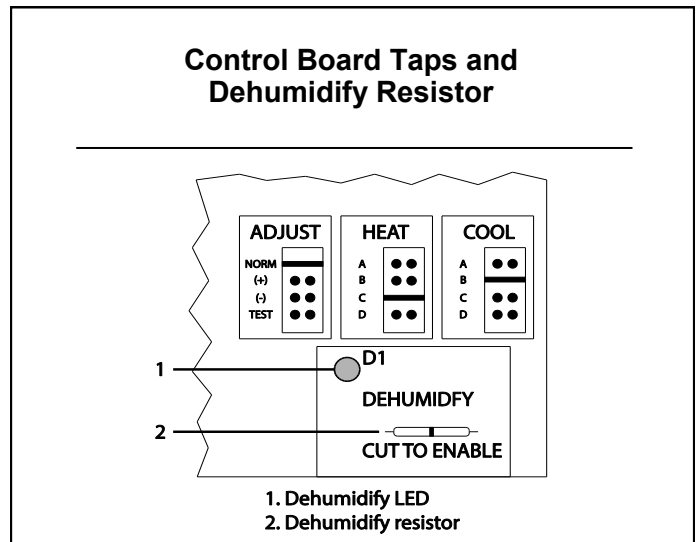
Table: Maximum allowable kW Electric Heat Kits that can be field installed for their respective Air Handler Size.



VARIABLE SPEED CONTROL BOARD

The motor control board that provides selection also features LED indicators that display operating mode, humidity control and airflow CFM. In addition, thermostat signals for emergency heat (EM), aux, heat (W1), reversing valve (O), compressor stage 1 (Y1), compressor stage 2 (Y2) and blower (G) are all indicated by lit LED's on this board. If a humidistat is used, the dehumidify LED will light when the humidistat opens and the motor runs at reduced airflow. The control board also has a CFM LED that displays the operating CFM. This red LED flashes once for each 100 CFM. For example, if the operating CFM is 1200, the CFM LED will flash 12 times, then pause before repeating the 12-flash pattern.

Special Note for Units Equipped with Humidistat: If using a humidistat, the Dehumidify resistor located on the bottom right of the control board must be removed. The HUM terminal on the board must be connected to the Normally Closed contact of the humidistat so that the board senses an open circuit on high humidity.



HOT WATER COIL INSTALLATION

ADP hydronic air handlers (certified to NSF 372) can be used with potable water systems and are shipped with or without circulating pumps. Kits are also available. Refer to pipe and pump sizing in the Air Handler's Engineering & Specification Guide for units with external pumps.

Proper water heating sizing should consider both the gallon capacity AND the BTU input of the water heater.

To determine water heater gallon capacity:

A minimum 40 gallon high recovery and/or high efficiency gas or oil fired water heater is recommended. The following volume -sizing guide is satisfactory in most areas.

1. Determine Volume

CFM	Water Heater Requirements
600-800	40 gallons
1000-1200	40 gallons
1400-1600	Either 2 - 40 gallons piped together, 1 high input 50 gallon (63,000 to 75,000 Btu/hr input), or 1 - 72 (or higher) gallon tank.
2000	Any combination of water heaters piped together with a total output of 105,000 Btu/hr.

2. Determine water heater BTU/HR input requirements

Assume water heater recovery efficiency of 76%

BTU/HR input=

Mild climates: structure heat loss X 1.51

Cold climates: structure heat loss X 1.58

NOTICE

If connecting to tankless water heater, the circulating pump may need to be changed to get proper flow. Refer to water heater instructions for details.

NOTICE

Use copper pipe and fittings. Other compatible piping and fitting materials may be used only if approved by local code authority and only if installed following the manufacturer's application and installation instructions.

NOTICE

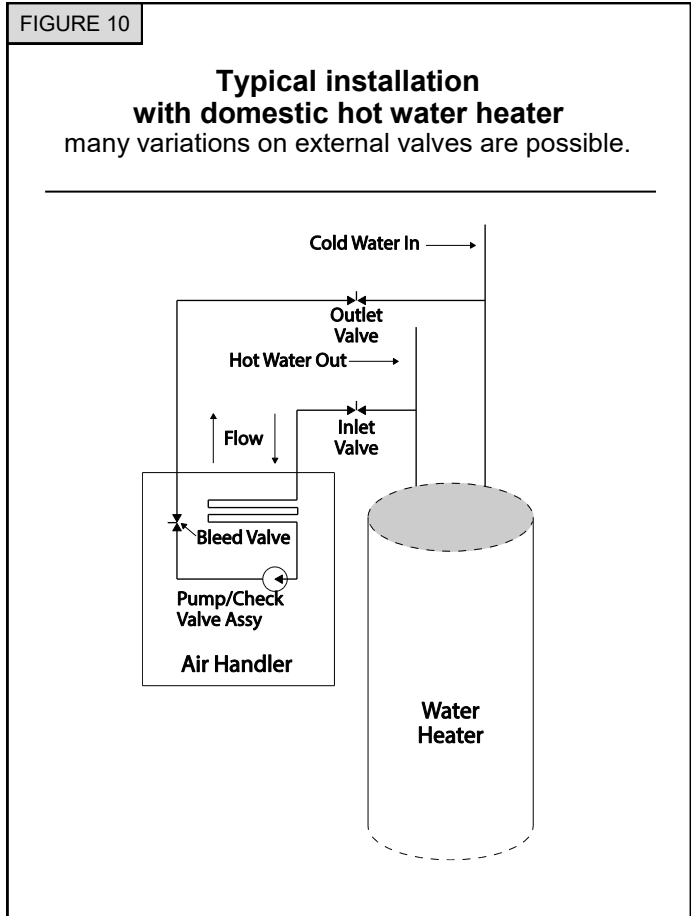
Solder joints on domestic water lines are to be made with NO-LEAD SOLDER.

NOTICE

The State of Mass requires the use of a pump timer on domestic water applications to periodically circulate water during the off cycle. This pump timer requirement is a standard factory installed feature on all B Series Air Handlers. A 50' maximum distance between water heater and air handler is also required.

NOTICE

The factory installed freeze protection on all air handlers with hot water coils is designed to protect the coil from freezing. Installer must protect water piping from freezing when in unconditioned spaces such as attics, crawl spaces, or within structures that may be unoccupied during freezing conditions. Insulating piping or using a water-glycol solution may help prevent pipe freezing.



HOT WATER COIL WATER FLUSHING

Flushing the hot water coil prior to start up is required to remove any residual material from the installation or manufacturing processes as well as remove any air from the system.

A bleed valve comes standard on all air handlers with factory installed circulating pumps. If using an external circulating pump, please use an external purge valve or other mechanism

! **CAUTION** !

Do not engage pump until the flushing process is completed. Running pump dry will cause damage.

! **CAUTION** !

Follow piping manufacturer's requirements for any additional required flushing or cleaning of coil and piping if using non-copper piping.

to flush hot water coil after installation. Take precautions while flushing the air handler to keep the multi-function control board and other electrical components from getting wet. Hot water is preferred for flushing.

Flushing is a 3-step process. Use a bucket or hose to dispose of water from the bleed valve during flushing (refer to Figure 9).

First, flush the return line by closing the inlet valve (supply) and opening the outlet valve (return). Open the bleed valve. Close the bleed valve when flushing is complete.

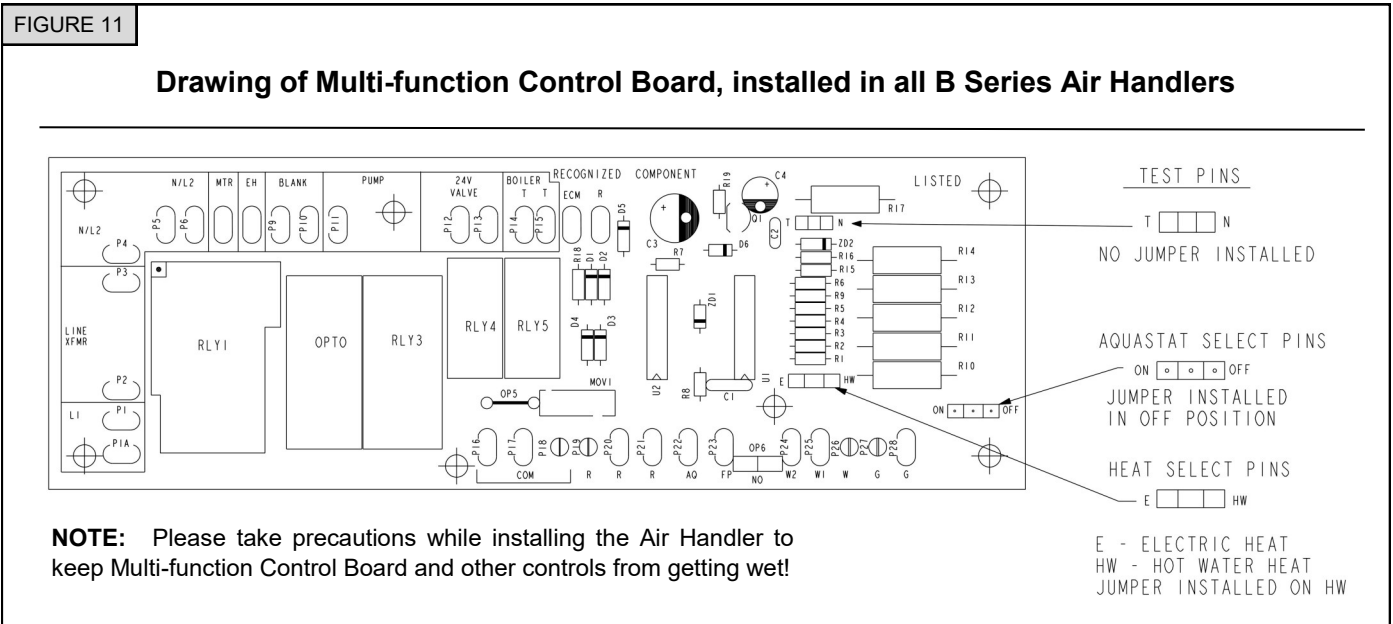
Second, flush the supply line and coil by closing the outlet valve (return) and opening the inlet valve (supply). Open the bleed valve. Close the bleed valve when flushing complete.

Third, apply power to the air handler. Open inlet and outlet valves. Engage pump and open bleed valve. Verify proper flow direction—inlet should become warm before outlet. Close the bleed valve when flushing is complete.

Operate pump for 5 minutes immediately after flushing system to purge remaining air from the pump bearing chamber.

SEQUENCE OF OPERATIONS

The Blower Door Safety Switch circuit must be complete for all Sequence of Operations to take place.



Cooling

When the thermostat calls for cooling, the circuit between R and G is completed, and the blower **relay** is energized. The Normally Open contacts close, causing the indoor blower motor to operate. The circuit between R and Y is also completed; this circuit closes the contactor in the outdoor fan motor. Circuit R and O or R and B energizes the reversing valve, switching it to the cooling position (depends on outdoor unit). Air Handler blower turns off 45 seconds after the thermostat stops calling for cooling.

Heating (electric heat only)

When the thermostat calls for heat, the circuit between R and W is completed, and the heater sequencer is energized. A time delay follows before the heating elements and the indoor blower motor comes on. Units with a second heat sequencer

can be connected with the first sequencer to W on the thermostat sub base or connected to a second stage on the sub base. Air Handler blower turns off 30 seconds after the thermostat stops calling for heating.

Heating (heat pump with electric heat)

When the thermostat calls for heat, the circuits between R and Y and R and G are completed. Circuit R-Y energizes the contactor starting the outdoor fan motor and the compressor. Circuit R and G energizes the blower relay starting the indoor blower motor. Circuit R and O or R and B energizes the reversing valve, switching it to the heating position (depends on outdoor unit). If the room temperature should continue to fall, the circuit between R and W1 is completed by the second stage heat room thermostat. Circuit R-W1 energizes a heat sequencer. The completed circuit will energize supplemental electric heat (if applicable). Units with a second heater

SEQUENCE OF OPERATIONS

sequencer can be connected with the first sequencer to W1 on the thermostat or connected to a second heating stage W2 on the thermostat sub base. Air Handler blower turns off 30 seconds after the thermostat stops calling for heating.

Emergency Heat (heat pump with electric heat)

If selector switch on thermostat is set to the emergency heat position, the heat pump will be locked out of the heating circuit, and all heating will be electric heat (if applicable). A jumper should be placed between W2 and E on the thermostat subbase so that the electric heat control will transfer to the first stage heat on the thermostat. This will allow the indoor blower to cycle on and off with the electric heat when the fan switch is in the AUTO position.

Heating (hot water heat only)

When the thermostat calls for heat, the circuit between R and W is completed, activating the hot water circulating pump. If a field installed circulating pump is being used the control board can still be wired to the pump directly or to an isolation valve supplying hot water to the Air Handler using the control board's 24V relay switch. A similar 24 V dry switching relay labeled TT can be used to activate a boiler or water heater valve. After the circuit between R & W are completed

Units with Factory Installed Aquastats- The water temperature inside the hot water coil must reach 130 deg. F before the circuit between R and G are complete activating the indoor blower motor. To deactivate a factory installed aquastat simply move the selector pin on the multi-function control board (See drawing above) from the on position to the off position.

Units without Factory Installed Aquastats or Deactivated Aquastats- A time delay of 60 seconds follows before the circuit between R and G are complete activating the indoor blower motor.

The Air Handler fan will turn off 30 seconds after the Thermostat stops calling for heating.

Heating (heat pump with hot water heat)

When the thermostat calls for heat, the circuits between R and Y and R and G are completed. Circuit R-Y energizes the contactor starting the outdoor fan motor and the compressor. Circuit R and G energizes the blower relay starting the indoor blower motor. Circuit R and O or R and B energizes the reversing valve,

switching it to the cooling position (depends on outdoor unit). If the room temperature should continue to fall, the second stage heat room thermostat completes the circuit between R and W. If a field installed circulating pump is being used the control board can still be wired to the pump directly or to an isolation valve supplying hot water to the Air Handler using the control board's 24V relay switch. A similar 24 V dry switching relay labeled TT can be used to activate a boiler or water heater valve. After the circuit between R & W are completed

Units with Factory Installed Aquastats- The water temperature inside the hot water coil must reach 130 deg. F before the circuit between R and G are complete activating the indoor blower motor. To deactivate a factory installed aquastat simply move the selector pin on the multi-function control board (See drawing above) from the on position to the off position.

Units without Factory Installed Aquastats or Deactivated Aquastats— a time delay of 60 seconds follows before the circuit between R and G are complete activating the indoor blower motor.

The Air Handler fan will turn off 45 seconds after the Thermostat stops calling for heating.

Freeze Protection (hot water heat)

If the temperature of the water within the hot water coil were to drop below 40°F the circuit between R and W is completed, activating the hot water circulating pump, external circulating pump or isolation valve. Once the water temperature rises above 70°F the circuit between R and W is opened and hot water will stop circulating within the hot water coil.

To prevent the freeze protection from activating the water circulating pump when in cooling mode, move freeze stat to far left or far right of water coil, and insulate with foam tape insulation.

Pump Timer (hot water heat)

The State of Massachusetts requires the use of a pump timer on domestic water applications to periodically circulate water during the off cycle. This pump timer requirement is a standard factory installed feature on all B Series Air Handlers. The Pump timer activates the circulating pump or isolation valve for one minute every six hours by completing the circuit between R and W. The Pump timer is skipped while the outdoor compressor is operating.

AIR HANDLER CHECKS

Check Blower Operation

1. Set thermostat to FAN ON.
2. The indoor blower should come on.

Check Electric Heater (if used)

1. Set thermostat to call for auxiliary heat (approximately 5°F above ambient temperature). The indoor blower and auxiliary heat should come on together. Allow a minimum of three minutes for all sequencers to cycle on.
2. Set the thermostat so it does not call for heat. Allow up to five minutes for all sequencers to cycle off.

Check Airflow

Cooling Blower Speed:

- For proper cooling operation, the airflow through the indoor coil should be between 350 and 450 CFM per ton of cooling capacity (350 - 450 CFM per 12,000 BTU/HR) based on the rating of the outdoor unit.
- The cooling blower speed is factory configured to provide correct airflow for an outdoor unit that matches the maximum cooling capacity rating of the air handler.
- If the outdoor unit is smaller than the maximum cooling capacity rating for the air handler, the cooling blower speed may need to be changed. Refer to "Blower Performance Data."

IMPORTANT: The cooling blower speed must be set to provide a minimum of 350 CFM airflow per ton (12,000 BTU/HR) of outdoor cooling capacity.

To change blower speed for 3-Speed Motor: (Refer to "Wiring Diagram – 3-Speed Motor.")

As shipped from the factory, the cooling and heating speeds are the same. In some cases it may be necessary to change speed for cooling or heating. To do so, use the following procedure:

1. Disconnect all power supplies.
2. Remove the air handler access panel.
3. Locate the motor wire running from the blower motor to the control board motor tap.
4. Remove the motor wire from the control board and replace with desired motor speed wire from P9 or P10 in the Blank area of board.
5. Replace all panels.
6. Reconnect power.

	WARNING	
		
Electrical Shock Hazard		
Disconnect all power supplies before servicing.		
Replace all parts and panels before operating.		
Failure to do so can result in death or electrical shock.		

FLAMMABLE REFRIGERANT DETECTION

Under no circumstances shall potential sources of ignition be used in the searching for or detection of refrigerant leaks.

A halide torch (or any other detector using a naked flame) shall not be used.

The following leak detection methods are deemed acceptable for all refrigerant systems.

Electronic leak detectors may be used to detect refrigerant leaks but, in the case of FLAMMABLE REFRIGERANTS, the sensitivity may not be adequate, or may need re-calibration. (Detection equipment shall be calibrated in a refrigerant-free area.) Ensure that the detector is not a potential source of ignition and is suitable for the refrigerant used. Leak detection equipment shall be set at a percentage of the LFL of the refrigerant and shall be calibrated to the refrigerant employed,

and the appropriate percentage of gas (25 % maximum) is confirmed.

Leak detection fluids are also suitable for use with most refrigerants but the use of detergents containing chlorine shall be avoided as the chlorine may react with the refrigerant and corrode the copper pipe-work.

NOTE: Examples of leak detection fluids are

- bubble method,
- fluorescent method agents.

If a leak is suspected, all naked flames shall be removed/ extinguished.

REFRIGERANT RECOVERY

Before carrying out work on systems containing refrigerant, it is essential that the technician is completely familiar with the equipment and all its detail. It is recommended good practice that all refrigerants are recovered safely. Prior to the task being carried out, an oil and refrigerant sample shall be taken in case analysis is required prior to re-use of recovered refrigerant. It is essential that electrical power is available before the task is commenced. Steps to ensure this are: becoming familiar with the equipment and its operation, isolating the system electrically, ensuring that before attempting the procedure that mechanical handling equipment is available, if required, for handling refrigerant cylinders, and that all personal protective equipment is available and being used correctly while the recovery process is supervised at all times by a competent person and that the recovery equipment and cylinders conform to the appropriate standards.

Additionally, pump down refrigerant system, if possible, and if a vacuum is not possible, make a manifold so that refrigerant can be removed from various parts of the system. Make sure that cylinders are situated on the scales before recovery takes place. Start the recovery machine and operate in accordance with instructions. Do not overfill cylinders (no more than 80 % volume liquid charge). Do not exceed the maximum working pressure of the cylinder, even temporarily. When the cylinders have been filled correctly and the process completed, make sure that the cylinders and the equipment are removed from site promptly and all isolation valves on the equipment are closed off. Recovered refrigerant shall not be charged into another refrigerating system unless it has been cleaned and checked.

When removing refrigerant from a system, either for servicing or decommissioning, it is recommended good practice that all refrigerants are removed safely. When transferring refrigerant into cylinders, ensure that only appropriate refrigerant recovery cylinders are employed. Ensure that the correct number of cylinders for holding the total system charge is available. All cylinders to be used are designated for the recovered refrigerant and labelled for that refrigerant (i.e. special cylinders for the recovery of refrigerant). Cylinders shall be complete with pressure-relief valve and associated shut-off valves in good working order. Empty recovery cylinders are evacuated and, if possible, cooled before recovery occurs.

The recovery equipment shall be in good working order with a set of instructions concerning the equipment that is at hand and shall be suitable for the recovery of the flammable refrigerant. If in doubt, the manufacturer should be consulted. In addition, a set of calibrated weighing scales shall be available and in good working order. Hoses shall be complete with leak-free disconnect couplings and in good condition.

The recovered refrigerant shall be processed according to local legislation in the correct recovery cylinder, and the relevant waste transfer note arranged. Do not mix refrigerants in recovery units and especially not in cylinders.

If compressors or compressor oils are to be removed, ensure that they have been evacuated to an acceptable level to make certain that flammable refrigerant does not remain within the lubricant. The compressor body shall not be heated by an open flame or other ignition sources to accelerate this process. When oil is drained from a system, it shall be carried out safely.

AIR HANDLER MAINTENANCE

At the beginning of each heating season the unit should be serviced by a qualified installer or servicing agency.

When breaking into the refrigerant circuit to make repairs – or for any other purpose – conventional procedures shall be used. However, for flammable refrigerants it is important that best practice be followed, since flammability is a consideration. Safely remove refrigerant following local and national regulations.

The refrigerant charge shall be recovered into the correct recovery cylinders if venting is not allowed by local and national codes. For appliances containing flammable refrigerants, the system shall be purged with oxygen-free nitrogen to render the appliance safe for flammable refrigerants. This process might need to be repeated several times. Compressed air or oxygen shall not be used for purging refrigerant systems.

For appliances containing flammable refrigerants, refrigerants purging shall be achieved by breaking the vacuum in the system with oxygen-free nitrogen and continuing to fill until the working pressure is achieved, then venting to atmosphere, and finally pulling down to a vacuum (optional for A2L). This process shall be repeated until no refrigerant is within the system (optional for A2L). When the final oxygen-free nitrogen charge is used, the system shall be vented down to atmospheric pressure to enable work to take place. Ensure that the outlet for the vacuum pump is not close to any potential ignition sources and that ventilation is available.

ASSISTANCE OR SERVICE

If you need further assistance, you may contact us at this address with any questions or concerns. Please include a daytime phone number in your correspondence.

Advanced Distributor Products
1995 Air Industrial Park Road, Grenada, MS 38901
www.adpnow.com

ADP AIR HANDLER LIMITED WARRANTY

Term of Warranty

Advanced Distributor Products (ADP) warrants that products sold shall be of merchantable quality, free of defects in material and workmanship, under normal use and service, for a period of five (5) years from the date of installation, **not** to exceed six (6) years from the date of manufacture subject to the terms of ADP's limited warranty.

For information on this product's warranty, including accessing complete warranty terms, registering for an extended warranty* or instructions on filing a warranty claim, please go to www.ADPwarranty.com.

* *In such states or provinces where registration requirements are prohibited, failure to complete registration by the consumer does not diminish his or her warranty rights.*

Equipment Information

Please *complete information below and retain this warranty for records and future reference.*

Unit Model Number: _____

Serial Number: _____

Installing Contractor: _____

Installation Date: _____

Phone: _____





Instructions d'installation

Série B

Ventilo-convecteurs hydroniques et multi-positions

Chauffage à eau chaude ou électrique avec moteur ECM à vitesse variable et rendement élevé disponible

TABEAU DE CONTENU	PAGE	PAGE	
Sécurité du ventilo-convecteur	1	Installation de l'étiquette A2L	24
Généralités	5	Installation de la conduite de réfrigérant.....	25
Inspecter l'expédition.....	5	Instructions de charge du réfrigérant.....	25
Outils et pièces nécessaires.....	5	Capteur de détection de réfrigérant A2L	26
Schéma de câblage.....	6	Contrôleur du système de détection de réfrigérant A2L ...	27
Connexions du thermostat.....	12	Connexions de la tension d'alimentation	30
Données de rendement du ventilateur	18	Contrôleur à vitesse variable	30
Exigences du système extérieur.....	20	Installation du serpentin d'eau chaude	31
Exigences relatives à l'emplacement	20	Rinçage du serpentin d'eau chaude	32
Exigences électriques.....	20	Séquence de fonctionnement.....	32
Exigences relatives aux gaines	20	Vérifications du ventilo-convecteur.....	34
Dégagements d'installation	21	Détection des réfrigérants inflammables	35
Options de configuration.....	21	Récupération du réfrigérant.....	35
Connexions de la cuvette de drainage	22	Entretien du ventilo-convecteur	36
Inclinaison du drain.....	23	Assistance ou service.....	36
Installation du drain de condensat.....	23	Garantie.....	36
Dispositif de mesure.....	24		

SÉCURITÉ DU VENTILO-CONVECTEUR

CONSIDÉRATIONS DE SÉCURITÉ



Votre sécurité et celle des autres sont très importantes.

Nous avons fourni de nombreux messages de sécurité importants dans ce manuel et sur votre appareil. Toujours lire et respecter tous les messages de sécurité.

Il s'agit du symbole d'alerte de sécurité.

Ce symbole vous avertit des dangers potentiels qui peuvent vous tuer ou vous blesser, ainsi que d'autres personnes.

Tous les messages de sécurité suivent le symbole d'alerte de sécurité et le mot de signal. Ces mots signifient ce qui suit :

DANGER : Vous pouvez être **tué ou gravement blessé** si vous ne suivez pas immédiatement les instructions.

AVERTISSEMENT : Indiquer une situation potentiellement dangereuse qui, si elle n'est pas évitée, peut entraîner la **mort ou des blessures graves**.

ATTENTION : Indique une situation potentiellement dangereuse qui, si elle n'est pas évitée, peut entraîner **des blessures mineures ou modérées**. Des précautions peuvent également être prises pour prévenir les pratiques dangereuses.

AVIS : Indique une déclaration de politique de l'entreprise car le message concerne directement ou indirectement la sécurité du personnel ou la protection des biens.

IMPORTANT : Des informations plus détaillées concernant l'énoncé de la politique de l'entreprise car le message concerne directement ou indirectement la sécurité du personnel ou la protection des biens.

Tous les messages de sécurité vous indiqueront quel est le danger potentiel, vous indiqueront comment réduire le risque de blessure et vous indiqueront ce qui peut se passer si les instructions ne sont pas respectées.



ATTENTION



Cet appareil n'est pas conçu pour être utilisé par des personnes (y compris des enfants) ayant des capacités physiques, sensorielles ou mentales réduites, ou un manque d'expérience et de connaissances, sauf si elles ont été surveillées ou que des instructions ont été données concernant l'utilisation de l'appareil par une personne responsable de leur sécurité. Les enfants doivent être surveillés pour s'assurer qu'ils ne jouent pas avec l'appareil.



L'amélioration des produits est un processus continu chez Advanced Distributor Products. Par conséquent, les spécifications du produit peuvent être modifiées sans préavis et sans obligation de notre part. Veuillez contacter votre représentant ou distributeur ADP pour vérifier les détails.

© par Advanced Distributor Products. Tous droits réservés.

SÉCURITÉ DU MANUTENEUR D'AIR



IMPORTANT



Cette unité est un CLIMATISEUR À UNITÉ PARTIELLE, conforme aux exigences de la présente norme, et ne doit être connectée qu'à d'autres unités qui ont été confirmées comme étant conformes aux exigences de la présente norme UL 60335-2-40/CSA C22.2 n° 60335-2-40 ou UL 1995/CSA C22.2 n° 236.



IMPORTANT



Le Clean Air Act de 1990 interdit l'évacuation intentionnelle du réfrigérant (CFC et HFC). Les méthodes de récupération approuvées doivent être respectées. Des amendes et/ou des peines d'emprisonnement peuvent être imposées en cas de non-conformité.



IMPORTANT



Cette unité est une UNITÉ PARTIELLE; elle ne doit être connectée qu'à un appareil utilisant le même réfrigérant que celui indiqué sur la plaque signalétique de cette unité.



AVIS



Système de détection des fuites installé. L'unité doit être sous tension, sauf pour l'entretien



IMPORTANT



En plus des procédures de charge conventionnelles, les exigences suivantes doivent être respectées. 1. S'assurer que les différents réfrigérants ne sont pas contaminés lors de l'utilisation de l'équipement de charge. Les flexibles ou les conduites doivent être aussi courts que possible pour minimiser la quantité de réfrigérant qu'ils contiennent. 2. Les bouteilles doivent être maintenues dans une position appropriée conformément aux instructions. 3. S'assurer que le SYSTÈME DE RÉFRIGÉRATION est mis à la terre avant de charger le système de réfrigérant. 4. Étiqueter le système une fois la charge terminée. 5. Prendre soin de ne pas trop remplir le SYSTÈME DE RÉFRIGÉRATION. Avant de recharger le système, il doit être soumis à un essai de pression avec du gaz de purge approprié. Le système doit faire l'objet d'un test de fuite une fois la charge terminée, mais avant la mise en service. Un test de suivi des fuites doit être effectué avant de quitter le site.



IMPORTANT



Une installation, un réglage, une modification, une maintenance et/ou un entretien incorrects peuvent entraîner des dommages matériels ou des blessures graves, voire mortelles. L'installation et l'entretien doivent être assurés par un installateur de CVAC professionnel certifié ou l'équivalent, une société de service ou le fournisseur du gaz.



ATTENTION



Tout le personnel d'entretien chargé de l'installation, de la mise hors service ou de l'entretien de l'unité doit être correctement formé aux réfrigérants A2L.



AVIS



Les composantes électriques étanches doivent être remplacées et non réparées.



AVIS



Les composantes à sécurité intrinsèque doivent être remplacées et non réparées.



AVERTISSEMENT



Ne pas utiliser de moyens pour accélérer le processus de dégivrage ou pour nettoyer d'autres produits que ceux recommandés par le fabricant. L'appareil doit être stocké dans une pièce sans sources d'allumage en fonctionnement continu (flammes nues, appareil au gaz en fonctionnement ou aérotherme électrique en fonctionnement, par exemple. Ne pas percer ou brûler. Sachez que les réfrigérants peuvent ne pas contenir d'odeur.



ATTENTION



L'équipement doit être étiqueté en indiquant qu'il a été mis hors service et vidangé de réfrigérant. L'étiquette doit être datée et signée. Pour les appareils contenant des réfrigérants inflammables, s'assurer que des étiquettes indiquent que l'équipement contient du réfrigérant inflammable.



AVIS



S'assurer que le câblage n'est pas sujet à l'usure, à la corrosion, à une pression excessive, à des vibrations, à des bords coupants ou à tout autre effet environnemental indésirable.

SÉCURITÉ DU MANUTENTEUR D'AIR



IMPORTANT



Le travail doit être effectué selon une procédure contrôlée afin de minimiser le risque de présence d'un gaz ou d'une vapeur inflammable pendant l'exécution du travail.



AVIS



Tout le personnel d'entretien et les autres doivent éviter de travailler dans des espaces confinés.



IMPORTANT



La zone doit être vérifiée avec un détecteur de réfrigérant approprié avant et pendant le travail, pour s'assurer que le technicien est conscient des atmosphères potentiellement toxiques ou inflammables. S'assurer que l'équipement de détection des fuites utilisé peut être utilisé avec tous les réfrigérants applicables, c'est-à-dire sans étincelles, correctement étanchéifiés ou intrinsèquement sûrs.



IMPORTANT



Si un travail à chaud doit être effectué sur l'équipement de réfrigération ou toute pièce associée, un équipement d'extinction d'incendie approprié doit être disponible. Ayez un extincteur à poudre sèche ou à CO₂ à côté de la zone de charge.



ATTENTION



Aucune personne effectuant des travaux en lien avec un système de réfrigération qui implique l'exposition à des conduites ne doit utiliser de source d'allumage de manière à ce qu'elle puisse entraîner un risque d'incendie ou d'explosion. Toutes les sources d'allumage possibles, y compris la fumée de cigarette, doivent être suffisamment éloignées du site d'installation, de réparation, de retrait et d'élimination, au cours duquel du réfrigérant peut être évacué dans l'espace environnant. Avant d'entreprendre le travail, la zone autour de l'équipement doit être inspectée pour s'assurer qu'il n'y a pas de dangers inflammables ou d'allumage. Les panneaux « Pas de fumée » doivent être affichés.



IMPORTANT



S'assurer que la zone est ouverte ou qu'elle est correctement ventilée avant de pénétrer dans le système ou d'effectuer un travail à chaud. Un degré de ventilation doit se poursuivre pendant la période pendant laquelle le travail est effectué.



ATTENTION



Certains savons utilisés pour la détection des fuites ont un effet corrosif sur certains métaux. Rincer soigneusement la canalisation une fois le test de fuite terminé. Ne pas utiliser d'allumettes, de bougies, de flamme ou d'autres sources d'allumage pour vérifier l'absence de fuites de gaz.



IMPORTANT



Lorsque les composantes électriques sont remplacées, elles doivent être adaptées à l'usage et aux spécifications correctes. Les directives d'entretien et d'entretien du fabricant doivent toujours être respectées. En cas de doute, consulter le service technique du fabricant pour assistance. Les vérifications suivantes doivent être appliquées aux installations utilisant des RÉFRIGÉRANTS INFLAMMABLES, le cas échéant.

1. La charge réelle de réfrigérant est conforme à la taille de la pièce dans laquelle les pièces contenant du réfrigérant sont installées.
2. Les sorties et les machines de ventilation fonctionnent correctement et ne sont pas obstruées.
3. Si un circuit de réfrigération indirect est utilisé, le circuit secondaire doit être vérifié pour détecter la présence de réfrigérant.
4. Les repères sur l'équipement continuent d'être visibles et lisibles. Les marquages et les signes illisibles doivent être corrigés.
5. Les conduites ou composantes de réfrigération sont installées dans une position où il est peu probable qu'elles soient exposées à une substance qui peut corroder les composantes contenant du réfrigérant, sauf si les composantes sont fabriquées dans des matériaux qui sont intrinsèquement résistants à la corrosion ou sont convenablement protégés contre la corrosion.



ATTENTION



La réparation et l'entretien des composantes électriques doivent comprendre des vérifications de sécurité initiales et des procédures d'inspection des composantes telles que le déchargement sécuritaire des condensateurs afin d'éviter toute possibilité d'étincelles, l'absence d'exposition des composantes et du câblage électriques sous tension pendant la charge, la récupération ou la purge du système et la continuité de la mise à la terre. En cas de défaillance qui pourrait compromettre la sécurité, aucune alimentation électrique ne doit être connectée au circuit tant qu'elle n'est pas traitée de manière satisfaisante. Si la défaillance ne peut pas être corrigée immédiatement mais qu'il est nécessaire de continuer à fonctionner, une solution temporaire adéquate doit être utilisée pour signaler le problème au propriétaire de l'équipement, de manière à ce que toutes les parties soient informées.



AVIS



L'altitude maximale d'application est de 3 200 m au-dessus du niveau de la mer.



AVIS



Une fois les conduites installées pour les systèmes en deux parties terminées, les conduites sur place doivent être soumises à un essai de pression avec un gaz inerte d'au moins 450 psig, puis testées sous vide avant la charge du réfrigérant.



AVIS



L'étanchéité des joints réfrigérants fabriqués sur place à l'intérieur doit être testée. La méthode d'essai doit avoir une sensibilité de 5 grammes par an de réfrigérant ou mieux sous une pression d'au moins 0,25 fois la pression maximale autorisée. Aucune fuite ne doit être détectée.

SÉCURITÉ DU MANUTENITEUR D'AIR

AVERTISSEMENT

Les dispositifs auxiliaires qui peuvent être une source d'allumage potentielle ne doivent pas être installés dans les gaines. Exemples de sources d'allumage potentielles : surfaces chaudes ayant une température supérieure à 700 °C et dispositifs de commutation électrique.

AVERTISSEMENT

Pour les appareils utilisant des réfrigérants A2L connectés par un système de gaines d'air à une ou plusieurs pièces, seuls les dispositifs auxiliaires approuvés par le fabricant de l'appareil ou déclarés appropriés avec le réfrigérant doivent être installés dans les gaines de raccordement.

AVERTISSEMENT

Si cet appareil conditionne un espace dont la surface est inférieure à la TA_{mini} comme défini par les instructions, cet espace doit être exempt de flammes nues en continu (par exemple, un appareil au gaz en fonctionnement) ou d'autres sources d'allumage potentielles (par exemple, un aérotherme électrique en fonctionnement ou une surface chaude similaire). Un dispositif produisant des flammes peut être installé dans le même espace si le dispositif est équipé d'un système d'arrêt des flammes efficace.

AVERTISSEMENT

Pour les appareils raccordés à des gaines, des faux plafonds ou des faux plafonds peuvent être utilisés comme plénum de retour d'air si un SYSTÈME DE DÉTECTION DU RÉFRIGÉRANT est fourni avec l'appareil et que toutes les connexions extérieures sont également fournies avec un capteur immédiatement en dessous du joint du conduit du plénum de retour d'air.

AVIS

Les canalisations, y compris les matériaux des canalisations, l'acheminement et l'installation, doivent inclure une protection contre les dommages physiques en fonctionnement et en service, et doivent être conformes aux codes et normes nationaux et locaux, tels que ASHRAE 15, ASHRAE 15.2, IAPMO Uniform Mechanical Code, ICC International Mechanical Code ou CSA B52. Tous les joints sur place doivent être accessibles pour inspection avant d'être recouverts ou enfermés.

AVIS

Tout le personnel d'entretien et les autres personnes travaillant dans la région doivent être informés de la nature du travail effectué en évitant de travailler dans des espaces confinés.

Les ventilo-convecteurs utilisant des réfrigérants A2L (R-454B et R-32) installés à l'altitude du sol du bâtiment doivent respecter les exigences minimales indiquées ci-dessous.

	3	5	10	15	20	25	30
Charge de réfrigérant R-454B/R-32 (lb)							
Charge de réfrigérant R-454B/R-32 (kg)	1,4	2,3	4,5	6,8	9,1	11,3	13,6
ZONE CLIMATISÉE MINIMALE (pi ²)	45	75	150	225	300	375	450
ZONE CLIMATISÉE MINIMALE (m ²)	4,2	7,0	13,9	20,9	27,9	34,8	41,8

Les exigences minimales de la zone conditionnée doivent être modifiées en multipliant par le facteur de réglage de l'altitude (AF) pour une installation à des altitudes plus élevées (H_{alte}). Les tableaux ci-dessous indiquent les valeurs AF pour différentes altitudes en mètres.

H_{alte} (MÈTRES)	0 - 600	800	1000	1200	1400	1600	1800	2000	2200	2400	2600	3000	3200
AF	1,00	1,02	1,05	1,07	1,10	1,12	1,15	1,18	1,21	1,25	1,28	1,36	1,40

GÉNÉRALITÉS

Ces instructions sont données à titre indicatif uniquement et ne remplacent en aucun cas les codes nationaux ou locaux. Le respect de tous les codes locaux, provinciaux ou nationaux relatifs à ce type d'équipement doit être déterminé avant l'installation.

Lire l'intégralité de ce manuel d'instructions ainsi que les instructions fournies avec l'équipement séparé avant de commencer l'installation.

Tous les modèles sont conçus pour une installation intérieure uniquement.

L'installation du ventilo-convecteur, du câblage sur place, des conduits d'air chaud, etc. doit être conforme aux exigences du Code national de l'électricité, ANSI/NFPA no. 70 (dernière édition) aux États-Unis, ainsi qu'aux lois d'État et ordonnances locales (y compris les codes de plomberie ou des eaux usées). Les autorités compétentes locales doivent être consultées avant l'installation. De telles réglementations ou exigences applicables ont préséance sur les instructions générales de ce manuel.

Installer le plénum d'air conditionné, les gaines et les filtres à air (non fournis) conformément à la norme NFPA 90B relative à l'installation des systèmes de chauffage et de climatisation à air chaud (dernière édition).

Ne pas retirer les ouvertures défonçables de l'enceinte avant d'avoir déterminé quelles ouvertures défonçables doivent être retirées pour l'installation.

Choisir la position d'installation finale qui convient le mieux aux conditions du site. Tenir compte des dégagements obligatoires, de l'espace, des exigences d'acheminement de la conduite de réfrigérant, de l'évacuation du condensat, des filtres, du système de conduits, du câblage et de l'accessibilité pour l'entretien. Se reporter à la plaque signalétique du ventilo-convecteur pour des informations spécifiques.

INSPECTER L'EXPÉDITION

Tous les ventilo-convecteurs sont testés. Chaque unité comprend un ensemble ventilateur, un serpentín de réfrigérant et des contrôleurs dans une enceinte isolée finie en usine avec des ouvertures défonçables prévues pour l'entrée du câblage électrique.

1. Vérifier la plaque signalétique d'unité pour confirmer que les spécifications sont conformes à la commande.
2. À la réception de l'équipement, l'inspecter soigneusement pour déterminer s'il a été endommagé pendant le transport. Prendre soin d'examiner l'unité si le carton est endommagé.

En cas de dégâts, ces dégâts doivent être indiqués sur la liste de colisage du transporteur. Les demandes de dommages doivent être déposées immédiatement auprès du carrier.

OUTILS ET PIÈCES NÉCESSAIRES

Assembler les outils et les pièces nécessaires avant de commencer l'installation. Lire et suivre les instructions fournies avec tous les outils indiqués ici :

<i>Tournevis à écrou de 1/4 po</i>	<i>Ruban de mesure</i>
<i>Niveau</i>	<i>Marteau</i>
<i>Entraînement par vis</i>	<i>Étanchéité</i>
<i>Clé réglable</i>	<i>Écrous de câble homologués UL</i>

Orifice de remplacement (si nécessaire, voir « Vérifier la taille de l'orifice »)

 **AVERTISSEMENT** 

Choc électrique

Couper l'alimentation électrique avant de procéder à l'entretien.

Remettre toutes les pièces et panneaux en place avant de les utiliser.

Mettre le ventilo-convecteur à la terre.

Connecter le fil de terre à la borne de terre marquée.

Le non-respect de cette consigne peut entraîner la mort ou un choc électrique.



Danger d'explosion

Tenir les matériaux et vapeurs inflammables, comme l'essence, à l'écart de cette unité.



Placer cette unité de manière à ce que les éléments chauffants soient à au moins 18 po (46 cm) au-dessus du sol pour une isolation dans le garage.

Le non-respect de ces instructions peut entraîner la mort, une explosion ou un incendie.



Les demandes de pénurie doivent être déposées auprès du vendeur dans un délai de 5 jours.

REMARQUE : Si des dommages sont découverts et signalés au carrier, ne pas installer l'unité car votre réclamation peut être refusée.

 **AVERTISSEMENT** 

Risque de poids excessif

Utiliser au moins deux personnes pour déplacer et installer le ventilo-convecteur.

Le non-respect de cette consigne peut entraîner des blessures au dos ou d'autres blessures.

Vérifier les codes locaux, l'alimentation électrique existante et lire les sections « Exigences relatives aux conduites » et « Exigences électriques » avant d'acheter des pièces.

L'ensemble orifice de remplacement situé à l'intérieur du boîtier de commande de l'unité extérieure peut contenir un orifice de la bonne taille. Si cet ensemble ne contient pas l'orifice correct pour votre ventilo-convecteur, vous devez acheter l'orifice correct.

SCHÉMA DE CÂBLAGE

MOTEUR 120V - 3 VITESSES

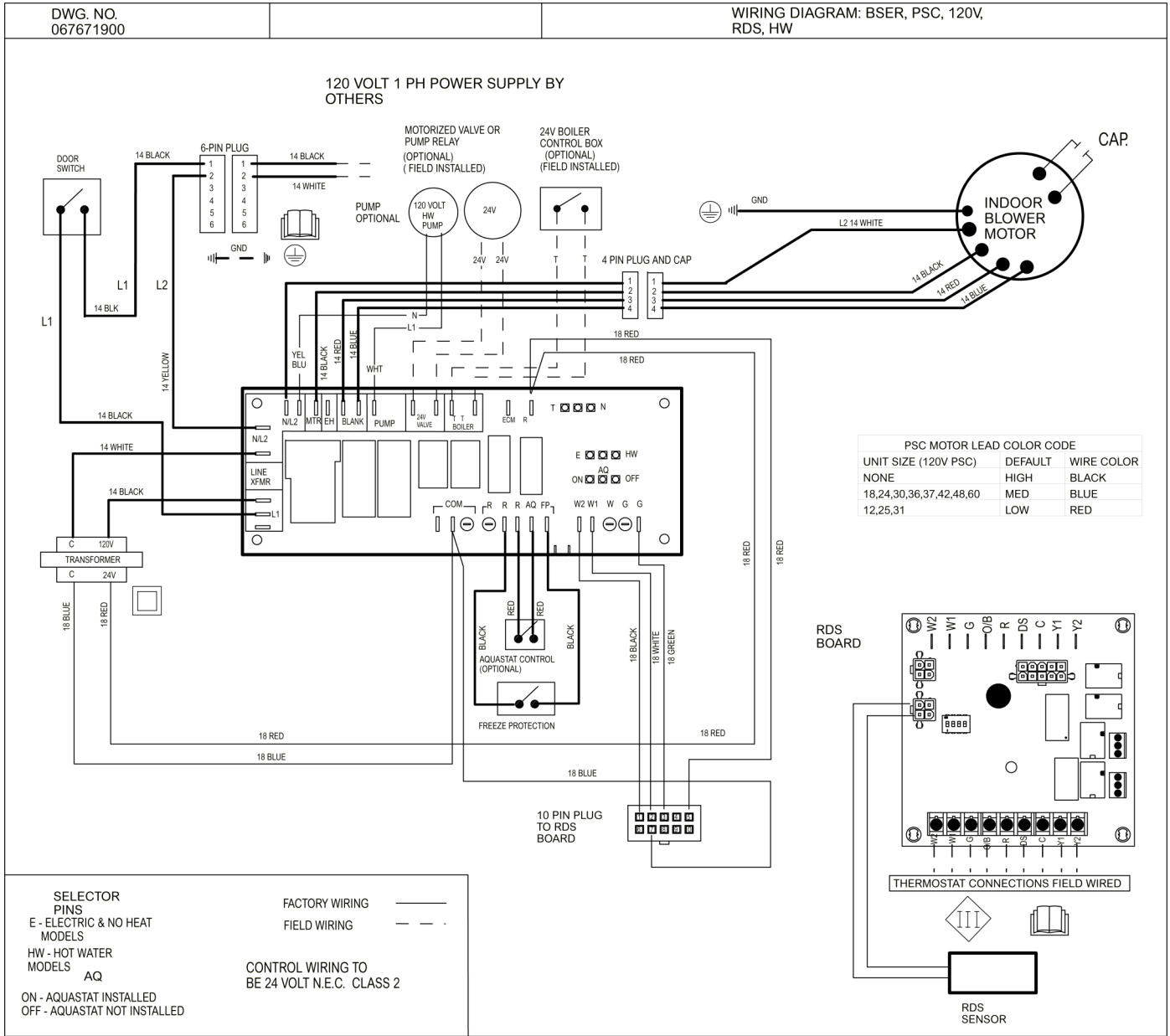
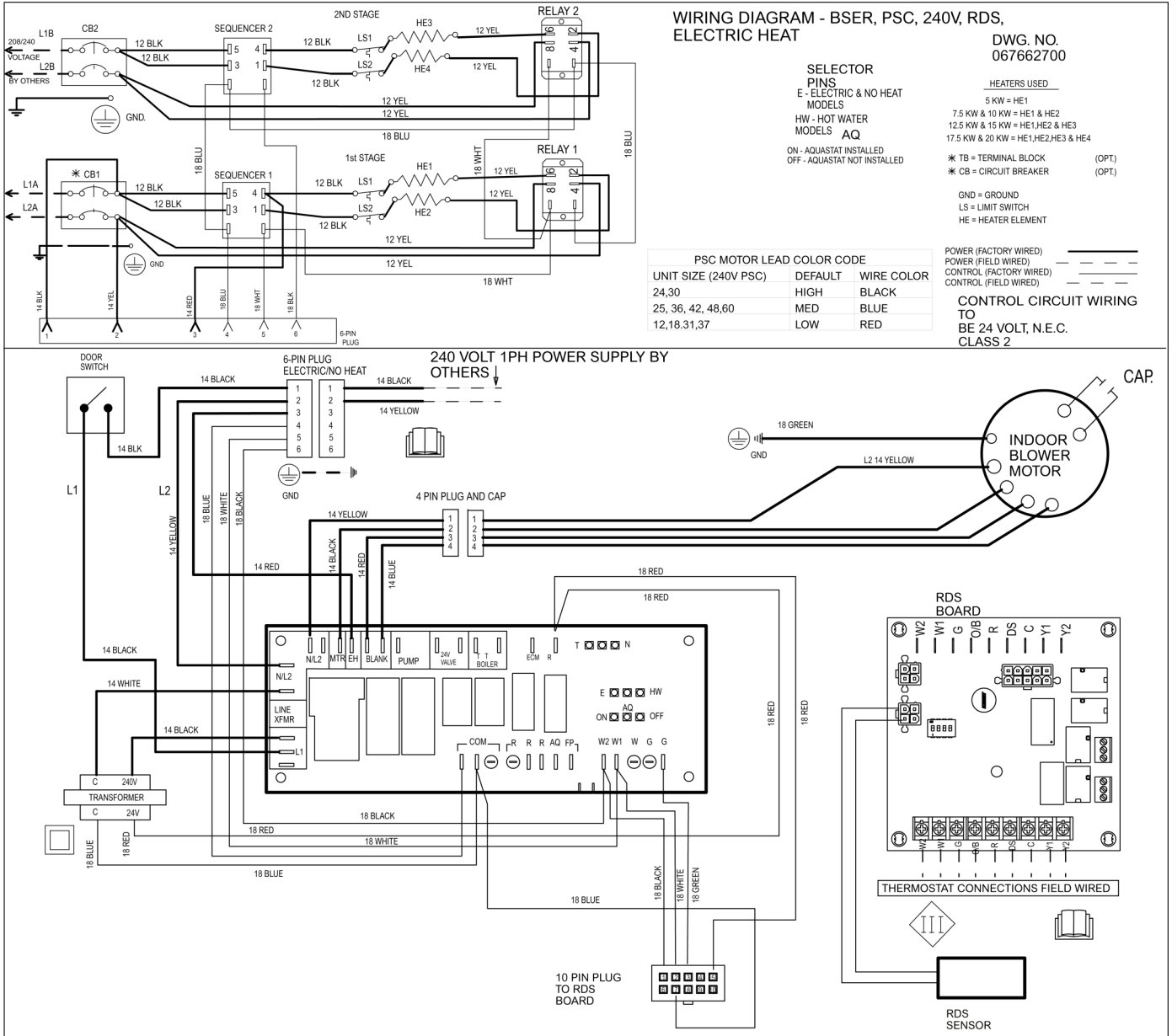


SCHÉMA DE CÂBLAGE

MOTEUR 208/240 V - 3 VITESSES



REMARQUE : La fiche 6-Pin sert de connexion pour les ensembles de chauffage électrique au panneau de commande.

Si l'unité est équipée d'un panneau de commande multifonction, pour les installations de chauffage électrique, s'assurer que la broche du sélecteur de chaleur est réglée sur « E ».

SCHÉMA DE CÂBLAGE

MOTEUR PCS 220 V - 3 VITESSES

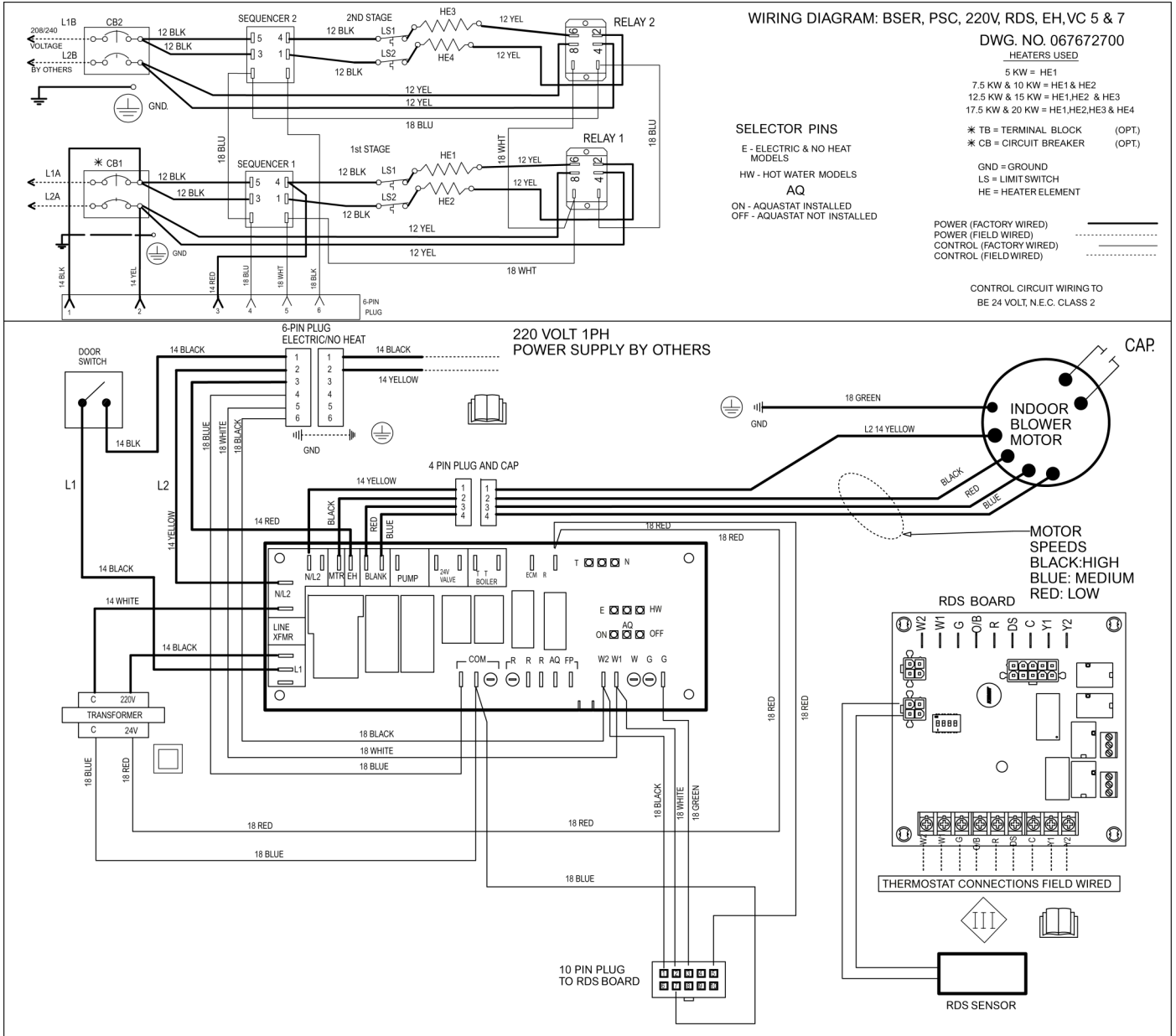
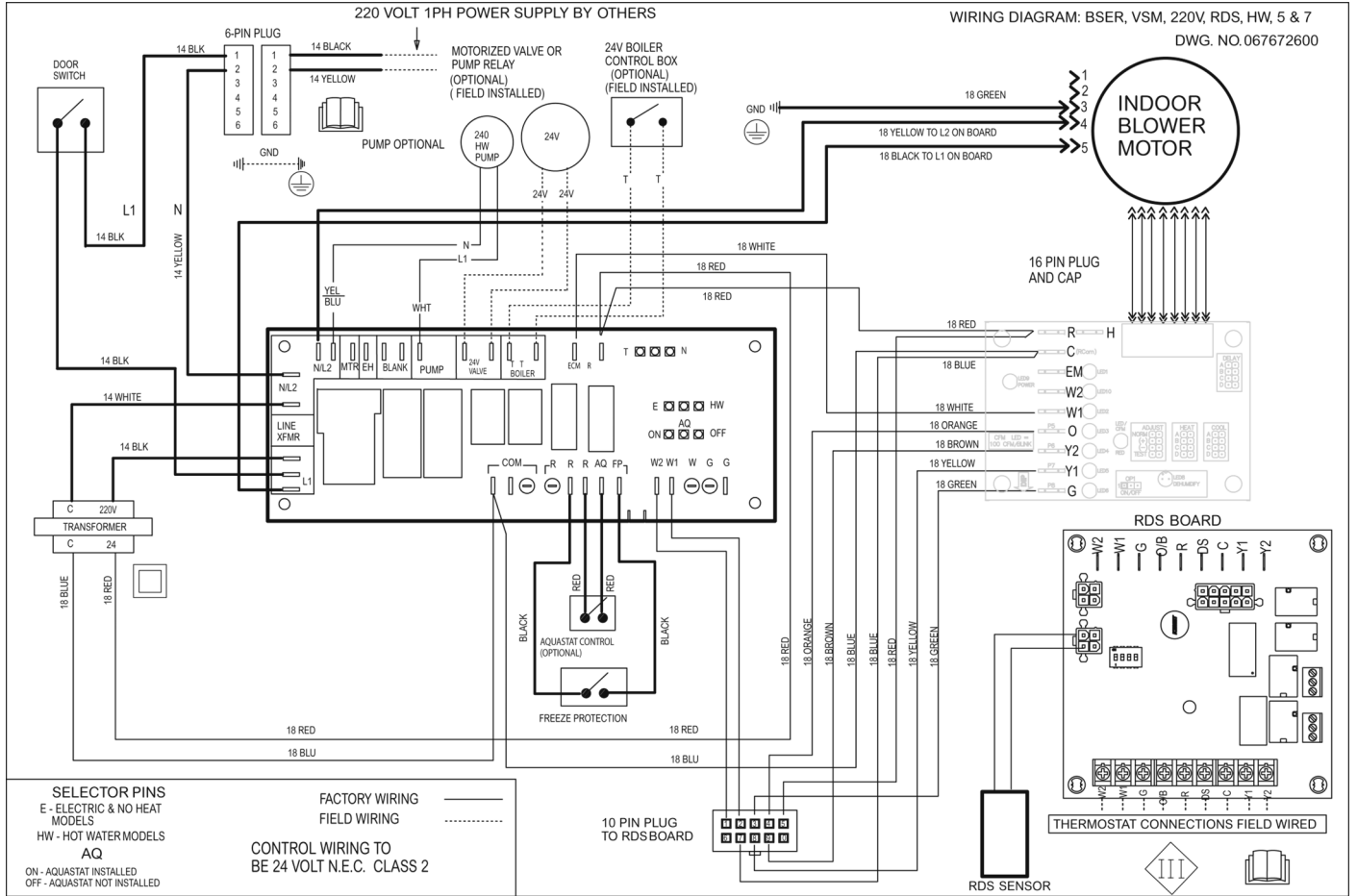


SCHÉMA DE CÂBLAGE

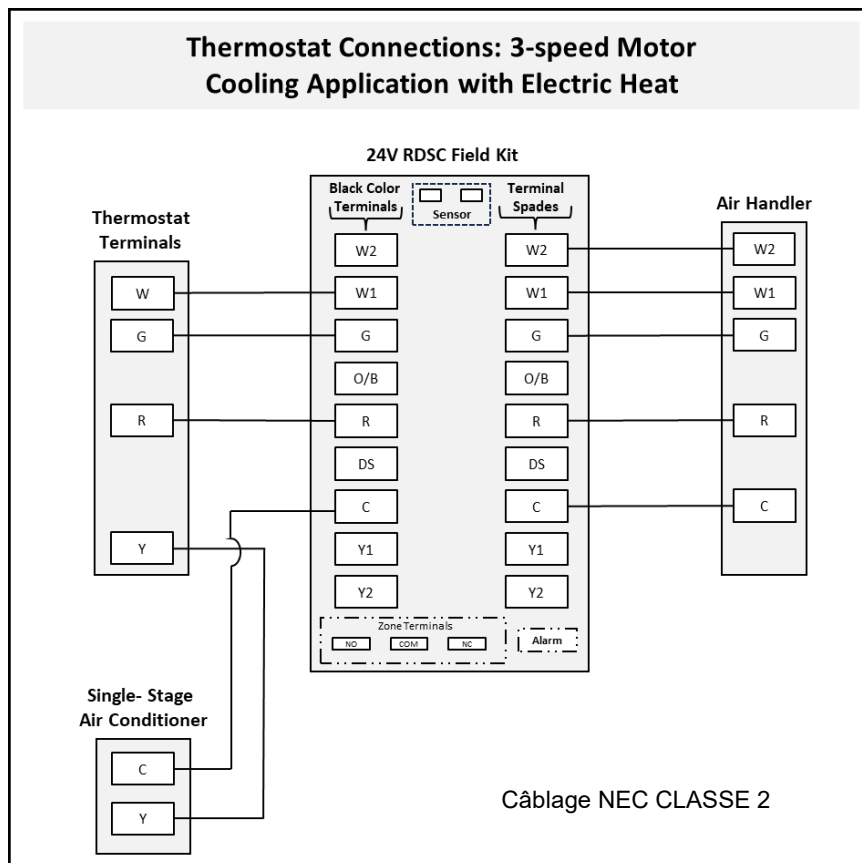
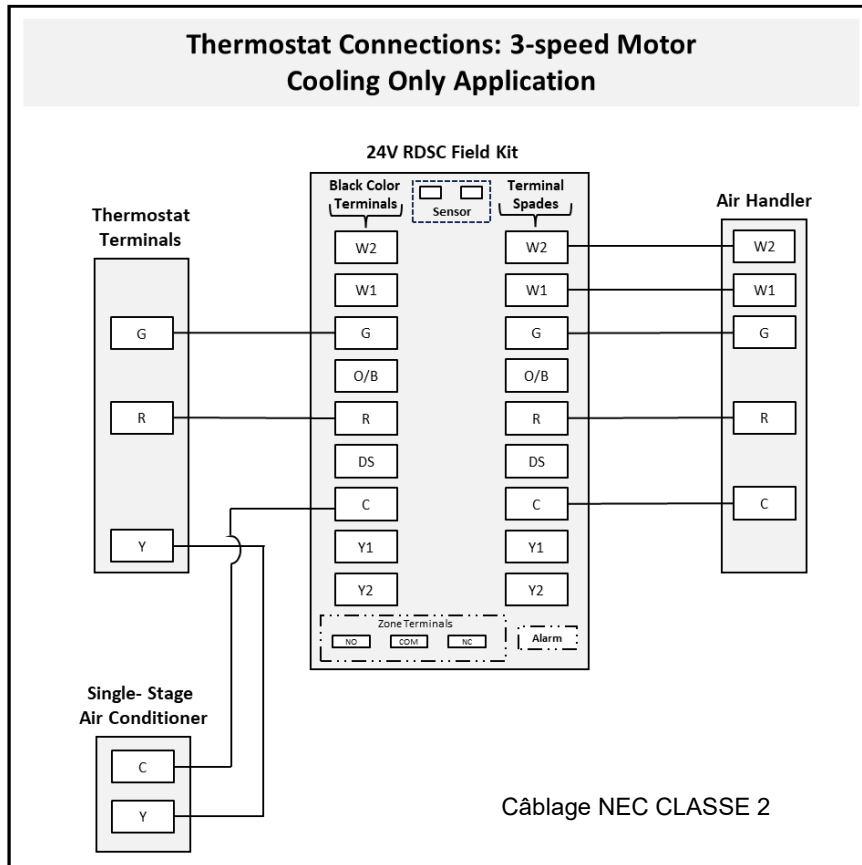
220 V - MOTEUR ECM À VITESSE VARIABLE



CONNEXIONS DU THERMOSTAT

Moteur 3-Speed (chauffage électrique)

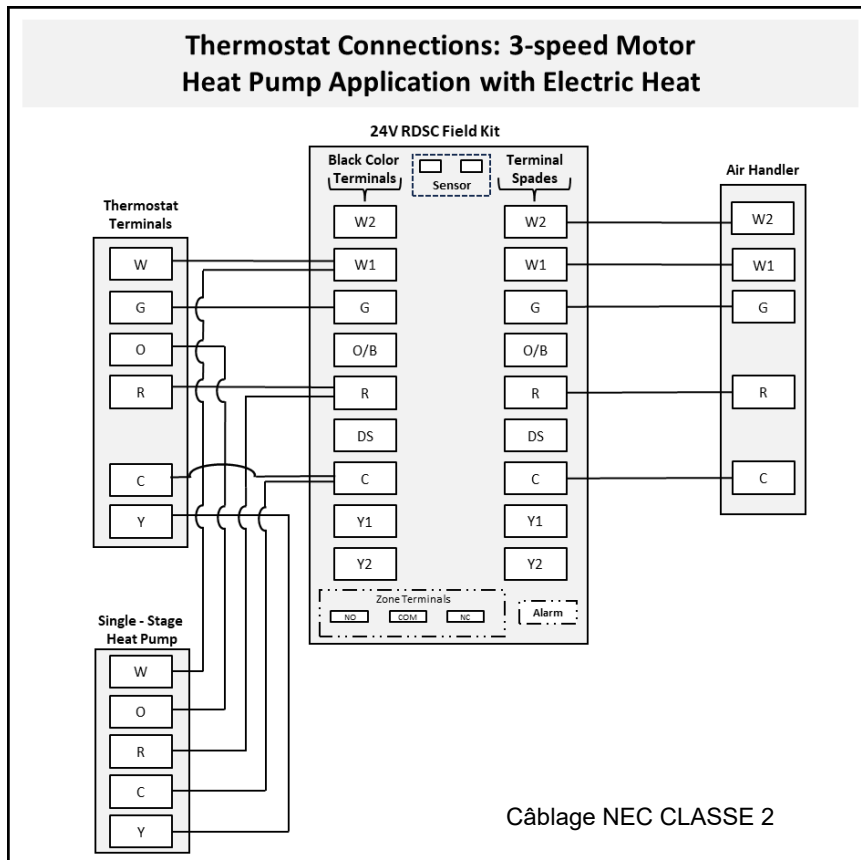
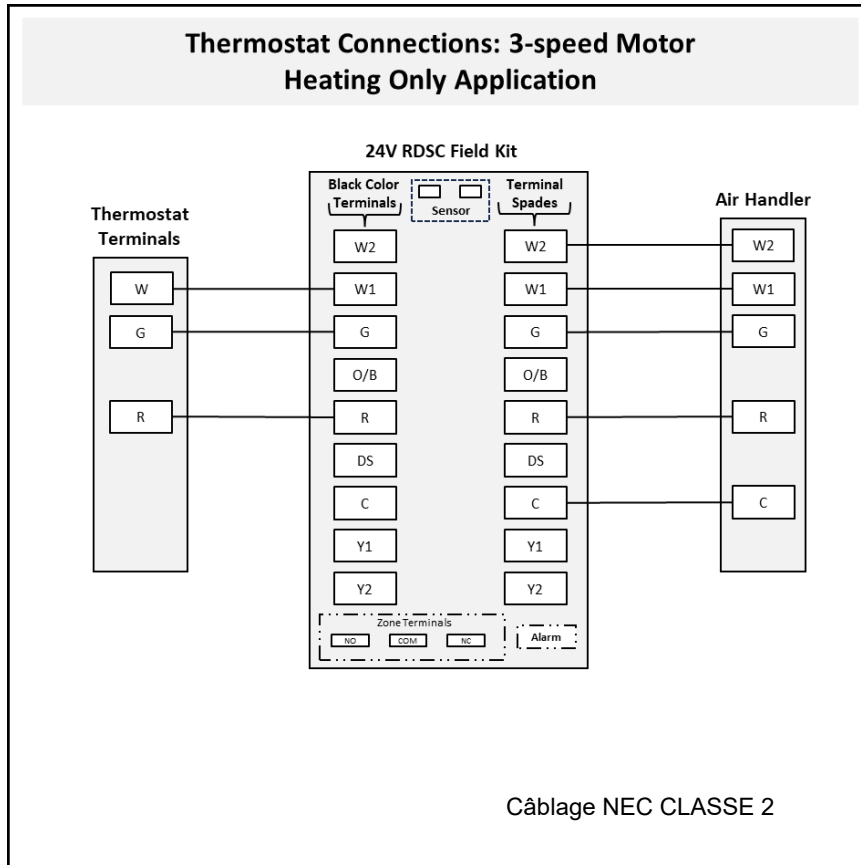
La consommation de courant maximale autorisée des thermostats à vol d'énergie ou d'autres accessoires est de 18 mA. Un dépassement de cette valeur peut entraîner un fonctionnement anormal du panneau de commande du ventilo-convecteur.



CONNEXIONS DU THERMOSTAT

Moteur 3-Speed (chauffage électrique)

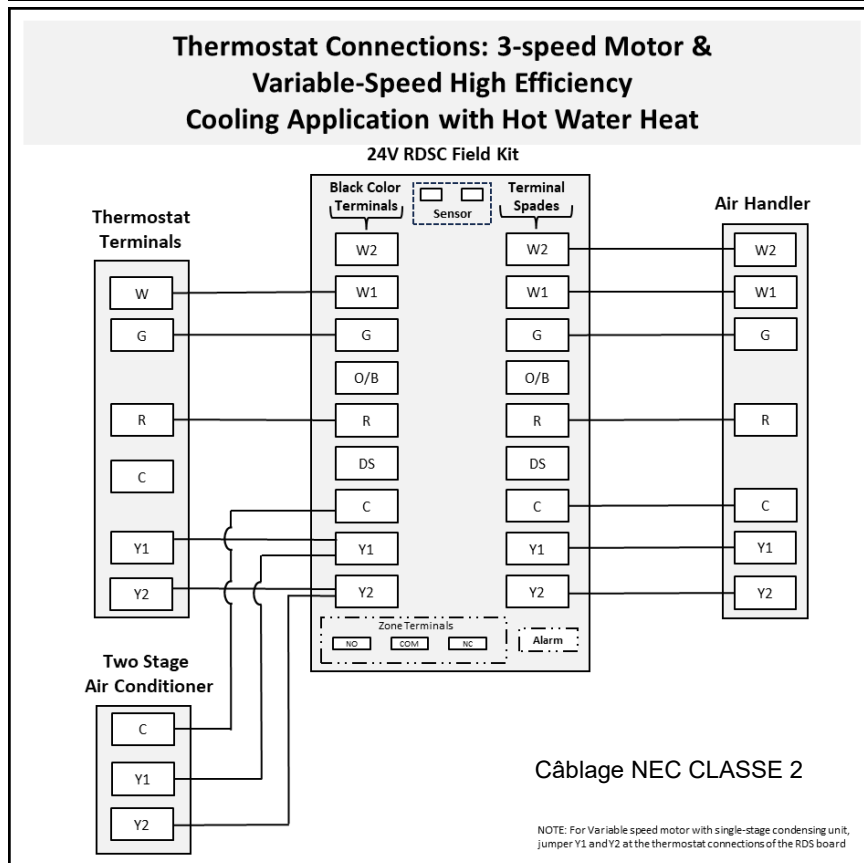
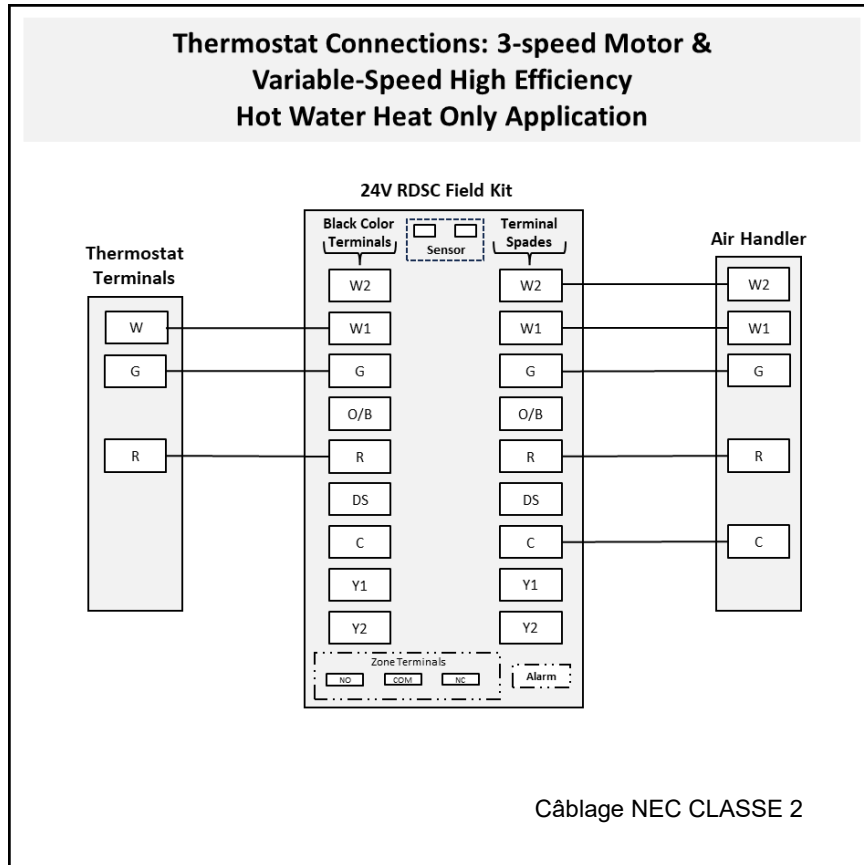
La consommation de courant maximale autorisée des thermostats à vol d'énergie ou d'autres accessoires est de 18 mA. Un dépassement de cette valeur peut entraîner un fonctionnement anormal du panneau de commande du ventilo-convecteur.



CONNEXIONS DU THERMOSTAT

Moteur 3-Speed et moteur ECM haute efficacité à vitesse variable (chauffage à l'eau chaude)

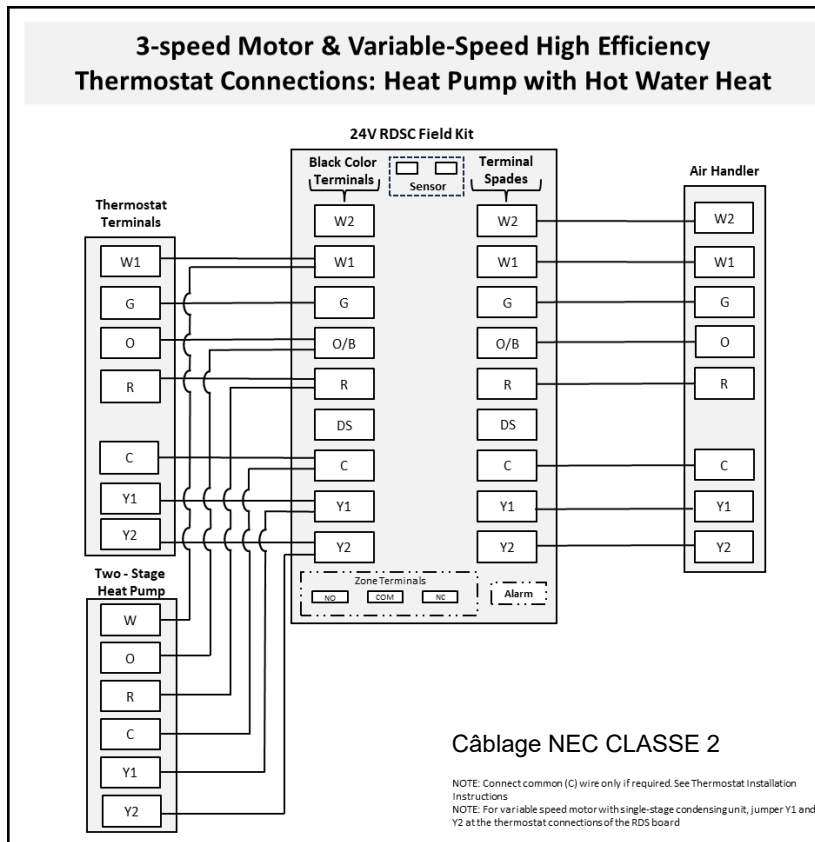
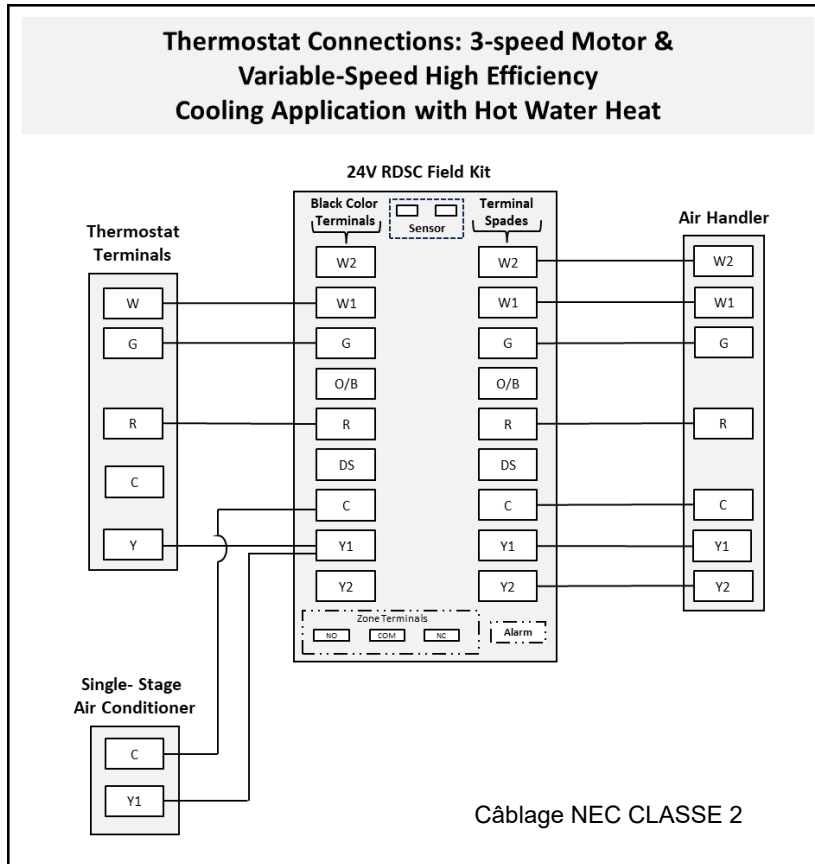
La consommation de courant maximale autorisée des thermostats à vol d'énergie ou d'autres accessoires est de 18 mA. Un dépassement de cette valeur peut entraîner un fonctionnement anormal du panneau de commande du ventilo-convecteur.



CONNEXIONS DU THERMOSTAT

Moteur 3-Speed et moteur ECM haute efficacité à vitesse variable (chauffage à l'eau chaude)

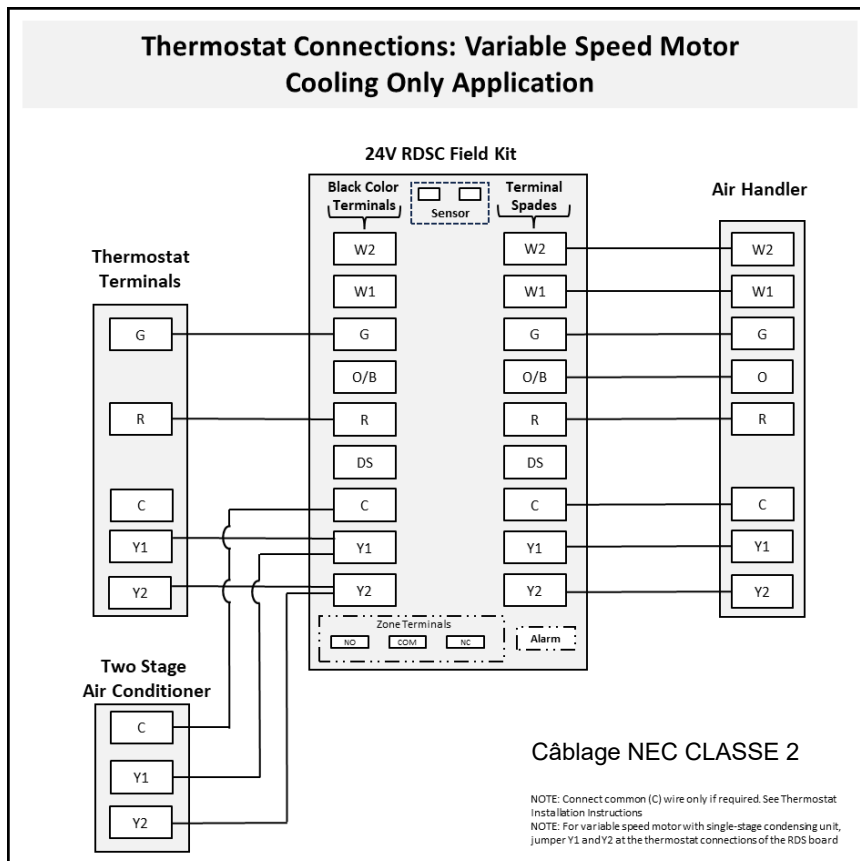
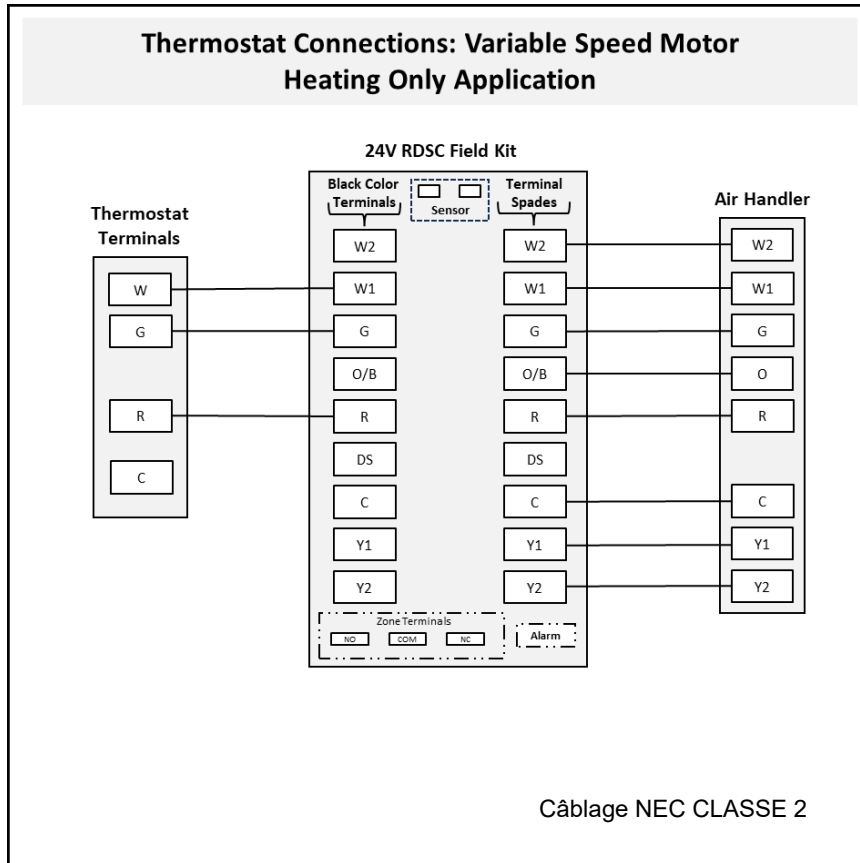
La consommation de courant maximale autorisée des thermostats à vol d'énergie ou d'autres accessoires est de 18 mA. Un dépassement de cette valeur peut entraîner un fonctionnement anormal du panneau de commande du ventilateur-convecteur.



CONNEXIONS DU THERMOSTAT

Moteur ECM haute efficacité à vitesse variable (chauffage électrique)

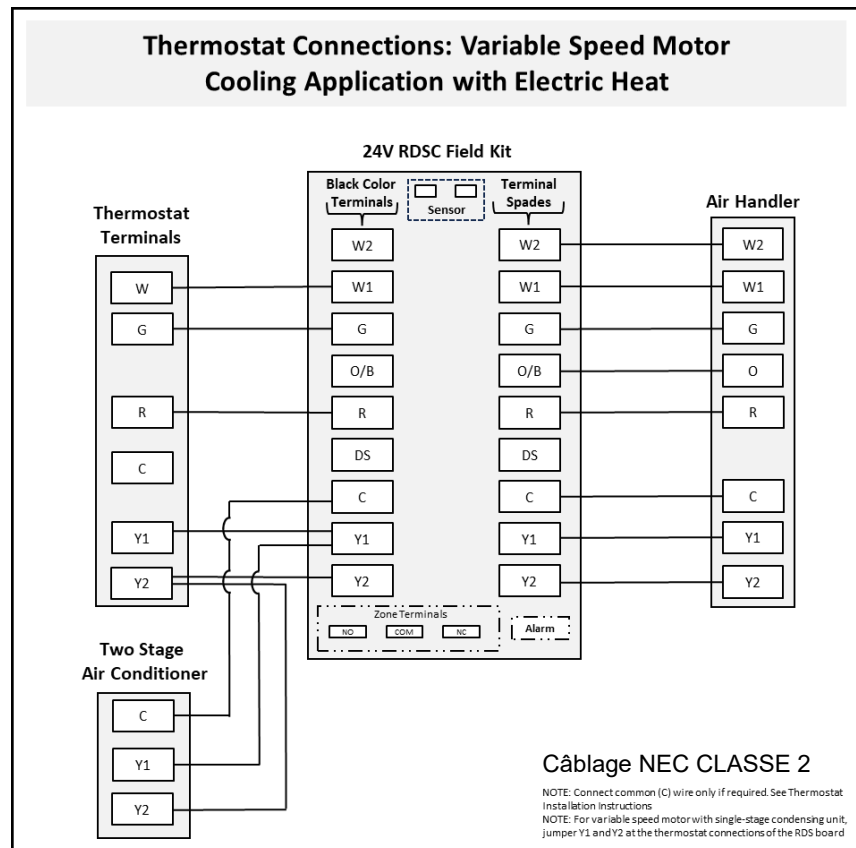
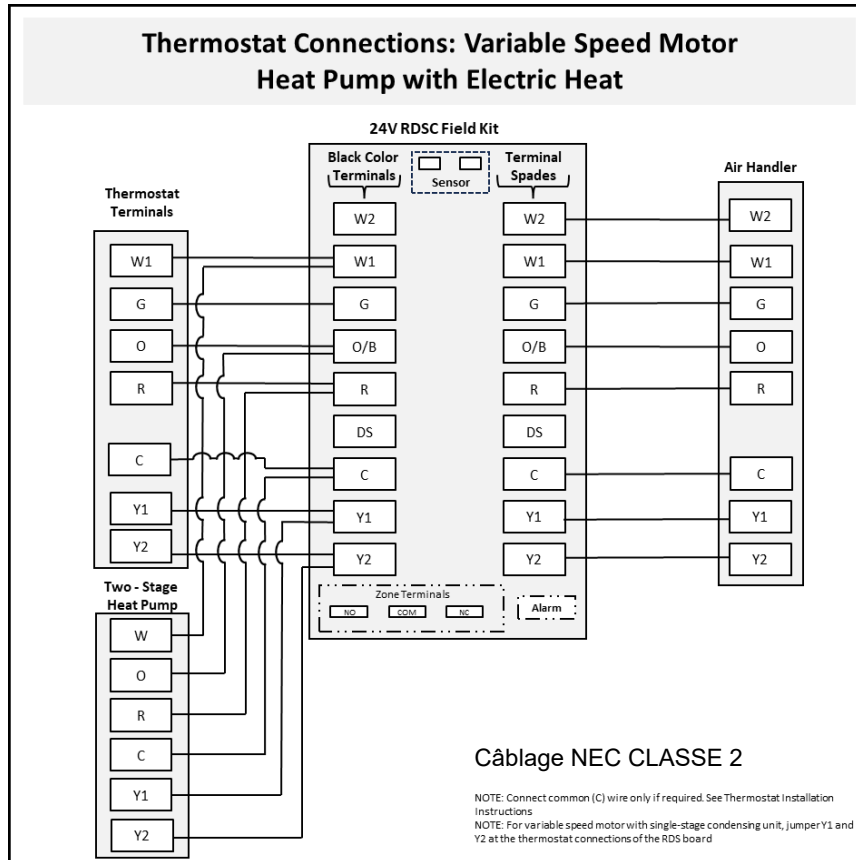
La consommation de courant maximale autorisée des thermostats à vol d'énergie ou d'autres accessoires est de 18 mA. Un dépassement de cette valeur peut entraîner un fonctionnement anormal du panneau de commande du ventilateur-convecteur.



CONNEXIONS DU THERMOSTAT

Moteur ECM haute efficacité à vitesse variable (chauffage électrique)

La consommation de courant maximale autorisée des thermostats à vol d'énergie ou d'autres accessoires est de 18 mA. Un dépassement de cette valeur peut entraîner un fonctionnement anormal du panneau de commande du ventilateur-convecteur.



DONNÉES DE PERFORMANCE DU VENTILATEUR

Moteur 3-Speed

Toutes les données sont données quand le ventilateur fonctionne avec un serpentin DX sec et un filtre à air installés.

Les vitesses indiquées en **gras avec un astérisque*** sont les réglages usine pour le chauffage et la climatisation. La vitesse de chauffage ne doit pas être inférieure au réglage usine.

Moteur 208/240 V		Débit d'air (CFM) vs. Pression statique extérieure (pouces d'eau)									
Taille de l'unité (MBUTH)	Réglage de la vitesse du ventilateur	Modèles à chauffage électrique					Modèles à eau chaude				
		0,10	0,20	0,30	0,40	0,50	0,10	0,20	0,30	0,40	0,50
12	*Faible	640	635	619	584	513	608	603	588	555	487
	Méd.	907	861	808	743	659	862	818	768	706	626
	Élevé	961	914	854	786	703	913	868	811	747	668
18	*Faible	640	635	619	584	513	608	603	588	555	487
	Méd.	907	861	808	743	659	862	818	768	706	626
	Élevé	961	914	854	786	703	913	868	811	747	668
24	Faible	640	635	619	584	513	608	603	588	555	487
	Méd.	907	861	808	743	659	862	818	768	706	626
	*Élevé	961	914	854	786	703	913	868	811	747	668
25	Faible	757	725	673	602	549	719	689	639	572	522
	*Moyen	893	862	823	746	660	848	819	782	709	627
	Élevé	1111	1059	1005	964	904	1055	1006	955	916	859
30	Faible	757	725	673	602	549	719	689	639	572	522
	Méd.	893	862	823	746	660	848	819	782	709	627
	*Élevé	1111	1059	1005	964	904	1055	1006	955	916	859
31	*Faible	1221	1187	1099	1080	1018	1160	1128	1044	1026	967
	Méd.	1329	1267	1208	1146	1073	1263	1204	1148	1089	1019
	Élevé	1383	1317	1260	1188	1103	1314	1251	1197	1129	1048
36	Faible	1221	1187	1099	1080	1018	1160	1128	1044	1026	967
	*Moyen	1329	1267	1208	1146	1073	1263	1204	1148	1089	1019
	Élevé	1383	1317	1260	1188	1103	1314	1251	1197	1129	1048
37	*Faible	1251	1263	1253	1214	1133	1188	1200	1190	1153	1076
	Méd.	1396	1397	1371	1309	1215	1326	1327	1302	1244	1154
	Élevé	1731	1668	1588	1487	1379	1644	1585	1509	1413	1310
42	Faible	1251	1263	1253	1214	1133	1188	1200	1190	1153	1076
	*Moyen	1396	1397	1371	1309	1215	1326	1327	1302	1244	1154
	Élevé	1731	1668	1588	1487	1379	1644	1585	1509	1413	1310
48	Faible	1627	1582	1513	1432	1328	1546	1503	1437	1360	1262
	*Moyen	1801	1706	1620	1513	1398	1711	1621	1539	1437	1328
	Élevé	1854	1748	1656	1552	1448	1761	1661	1573	1474	1376
60	Faible	1640	1583	1552	1497	1439	1558	1504	1474	1422	1367
	*Moyen	1961	1892	1814	1704	1616	1863	1797	1723	1619	1535
	Élevé	2072	2001	1889	1789	1643	1968	1901	1795	1700	1561
Moteur 120V		Débit d'air (CFM) vs. Pression statique extérieure (pouces d'eau)									
Taille de l'unité (MBUTH)	Réglage de la vitesse du ventilateur	Pas de modèles de chauffage					Modèles à eau chaude				
		0,10	0,20	0,30	0,40	0,50	0,10	0,20	0,30	0,40	0,50
12	*Faible	499	493	470	437	401	458	445	431	402	368
	Méd.	671	636	611	557	490	631	611	581	543	485
	Élevé	727	715	675	631	540	725	691	650	602	544
18	*Faible	499	493	470	437	401	458	445	431	402	368
	Méd.	671	636	611	557	490	631	611	581	543	485
	Élevé	727	715	675	631	540	725	691	650	602	544
24	Faible	687	584	579	549	487	588	580	564	537	471
	Méd.	889	847	795	731	666	771	747	710	671	600
	*Élevé	952	896	847	780	697	893	848	801	714	639
25	Faible	819	812	805	782	735	781	777	773	760	741
	*Moyen	1015	1004	986	961	930	989	989	983	967	942
	Élevé	1155	1149	1122	1090	1039	1095	1089	1072	1049	1020
30	Faible	819	812	805	782	735	781	777	773	760	741
	Méd.	1015	1004	986	961	930	989	989	983	967	942
	*Élevé	1155	1149	1122	1090	1039	1095	1089	1072	1049	1020
31	*Faible	1121	1110	1099	1065	1023	1118	1111	1097	1060	1013
	Méd.	1302	1278	1233	1197	1144	1275	1261	1222	1168	1112
	Élevé	1448	1391	1359	1298	1223	1355	1330	1317	1267	1196
36	Faible	1121	1110	1099	1065	1023	1118	1111	1097	1060	1013
	*Moyen	1302	1278	1233	1197	1144	1275	1261	1222	1168	1112
	Élevé	1448	1391	1359	1298	1223	1355	1330	1317	1267	1196
37	*Faible	1190	1122	1052	1028	1003	1072	1011	947	926	903
	Méd.	1437	1355	1270	1241	1212	1351	1274	1194	1167	1139
	Élevé	1449	1429	1389	1344	1298	1361	1342	1305	1263	1219
42	Faible	1345	1331	1302	1282	1257	1153	1144	1144	1135	1135
	*Moyen	1681	1615	1587	1521	1487	1494	1445	1431	1395	1342
	Élevé	1788	1727	1674	1603	1529	1666	1590	1571	1511	1469
48	Faible	1568	1527	1502	1433	1397	1518	1440	1409	1383	1338
	*Moyen	1775	1724	1672	1563	1505	1652	1575	1541	1506	1459
	Élevé	1881	1834	1765	1693	1597	1736	1668	1614	1564	1524
60	Faible	1662	1650	1643	1614	1568	1646	1642	1639	1630	1606
	*Moyen	1853	1840	1813	1746	1675	1833	1826	1820	1766	1702
	Élevé	2085	2038	1990	1916	1839	2065	2029	1981	1918	1847

DONNÉES DE PERFORMANCE DU VENTILATEUR

Moteur ECM haute efficacité à vitesse variable

Taille de l'unité (MBUTH)	Mode de fonctionnement	Bornes du thermostat						Taps du contrôleur							
		X = Borne sous tension						Climatisation				Chauffage			
		HUM	EM	W1	Y1	Y2	G	A	B	C	D	A	B	C	D
								débit	débit	débit	débit	débit	débit	débit	débit
25	Ventilateur continu						X	500	400	350	350				
	Climatisation élevée / Chauffage HP	**			X	X		1000	800	700	600				
	Climatisation basse puissance/chauffage TP				X			700	560	490	420				
	Aux. Chauffage			X	X	X		***	***	***	***	1000	800	700*	600*
	Émer. Chauffage		X	X				***	***	***	***	1000	800	700*	600*
30, 31	Ventilateur continu						X	600	500	400	350				
	Climatisation élevée / Chauffage HP	**			X	X		1200	1000	800	600				
	Climatisation basse puissance/chauffage TP				X			840	700	560	420				
	Aux. Chauffage			X	X	X		***	***	***	***	1200	1100	1100	1100
	Émer. Chauffage		X	X				***	***	***	***	1200	1100	1100	1100
37	Ventilateur continu						X	600	500	400	350				
	Climatisation élevée / Chauffage HP	**			X	X		1200	1000	800	600				
	Climatisation basse puissance / Chauffage TP				X			840	700	560	420				
	Aux. Chauffage			X	X	X		***	***	***	***	1200	1100*	1100*	1100*
	Émer. Chauffage		X	X				***	***	***	***	1200	1100*	1100*	1100*
42	Ventilateur continu						X	800	700	600	500				
	Climatisation élevée / Chauffage HP	**			X	X		1600	1400	1200	1000				
	Climatisation basse puissance / Chauffage TP				X			1120	980	840	700				
	Aux. Chauffage			X	X	X		***	***	***	***	1600	1400	1200*	1100*
	Émer. Chauffage		X	X				***	***	***	***	1600	1400	1200*	1100*
48	Ventilateur continu						X	800	700	600	500				
	Climatisation élevée / Chauffage HP	**			X	X		1600	1400	1200	1000				
	Climatisation basse puissance / Chauffage TP				X			1120	980	840	700				
	Aux. Chauffage			X	X	X		***	***	***	***	1600	1400*	1200*	1100*
	Émer. Chauffage		X	X				***	***	***	***	1600	1400*	1200*	1100*
60	Ventilateur continu						X	900	800	700	600				
	Climatisation élevée / Chauffage HP	**			X	X		1850	1600	1400	1200				
	Climatisation basse puissance / Chauffage TP				X			1295	1120	980	840				
	Aux. Chauffage			X	X	X		***	***	***	***	1850	1600	1400*	1200*
	Émer. Chauffage		X	X				***	***	***	***	1850	1600	1400*	1200*

* Ce débit n'est pas approuvé pour une utilisation avec un aérotherme de la puissance la plus élevée en kW.

** Humidistat réduit le débit d'air de refroidissement de 10 % en cas d'humidité élevée.

***Le débit d'air est le plus élevé des valeurs REFROIDISSEMENT et CHAUFFAGE quand le chauffage électrique et la thermopompe fonctionnent.

Régler le robinet (+) pour augmenter le débit d'air de 10 %, tandis que le robinet (-) pour le réduire de 12 %.

Le réglage de la prise TEST fait fonctionner le moteur à 70 % du débit d'air total. Utiliser ceci pour le dépannage uniquement.

Au début d'une demande de climatisation, le débit d'air est court à 82 % pendant 7,5 minutes.

À la fin d'une demande de climatisation, le délai d'arrêt du ventilateur est de 1 minute.

EXIGENCES DU SYSTÈME EXTÉRIEUR

Le ventilo-convecteur est conçu pour être utilisé avec des unités extérieures homologuées AHRI. Les sections intérieures sont fabriquées avec un dispositif de mesure du réfrigérant interchangeable pour assurer un contrôle optimal du réfrigérant et un rendement optimal du système avec diffé-

rentes capacités d'unités extérieures. Dans certains cas, la puissance AHRI peut exiger que le dispositif de mesure du réfrigérant du ventilo-convecteur soit changé pour obtenir une performance nominale.


EXIGENCES RELATIVES À L'EMPLACEMENT

REMARQUE : Quand l'unité est installée dans un endroit très humide et utilisée dans les applications de climatisation, une transpiration excessive peut se produire à l'extérieur de l'unité. Pour éviter les sueurs excessives, envelopper l'unité avec une isolation en fibre de verre de 1 po. Toutes les ouvertures doivent être étanchéifiées pour éviter les fuites d'air qui pourraient entraîner la formation de condensat à l'intérieur de l'enceinte.

- S'il est installé dans un espace non climatisé, un agent d'étanchéité doit être appliqué autour des fils électriques, des tubes de réfrigérant et des conduites de condensat à l'endroit où ils entrent dans l'enceinte.

- Les fils électriques doivent être scellés à l'intérieur, à l'endroit où ils sortent de l'ouverture du conduit. Un agent d'étanchéité est nécessaire pour empêcher les fuites d'air et la formation de condensat à l'intérieur du ventilo-convecteur, du boîtier de contrôle et des contrôleurs électriques.
- Le ventilo-convecteur doit être installé de manière à permettre un accès libre au compartiment du serpentin/filtre et au compartiment du ventilateur/contrôleur.

EXIGENCES ÉLECTRIQUES


 **AVERTISSEMENT** 

Choc électrique

Couper l'alimentation électrique avant de procéder à l'entretien.

Remettre toutes les pièces et panneaux en place avant de les utiliser.

Mettre le ventilo-convecteur à la terre.

Connecter le fil de terre à la borne de terre marquée .

Le non-respect de cette consigne peut entraîner la mort ou un choc électrique.

Danger d'explosion

Tenir les matériaux et vapeurs inflammables, comme l'essence, à l'écart de cette unité.

Placer cette unité de manière à ce que les éléments chauffants soient à au moins 18 po (46 cm) au-dessus du sol pour l'isolation du garage.

Le non-respect de ces instructions peut entraîner la mort, une explosion ou un incendie.



REMARQUE : Utiliser uniquement des conducteurs en cuivre.

- Tout le câblage sur place doit être effectué conformément au National Electrical Code, aux exigences applicables de UL et aux codes locaux, le cas échéant.
- Le câblage d'alimentation, les moyens de déconnexion et la protection contre les surtensions doivent être fournis par l'installateur. Se reporter à la plaque signalétique du ventilo-convecteur pour la protection maximale contre les surtensions, l'ampérage minimum du circuit et la tension de fonctionnement.
- L'alimentation électrique doit être dimensionnée et protégée conformément aux spécifications fournies avec le produit.

EXIGENCES RELATIVES AUX GAINES

IMPORTANT :

- Installer le plénum d'air climatisé, les gaines et les filtres à air (non fournis) conformément à la norme NFPA 90B relative à l'installation des systèmes de chauffage et de climatisation à air chaud (dernière édition).
- Raccorder le conduit d'alimentation d'air à la bride au-dessus du ventilo-convecteur. Si un connecteur d'isolation est utilisé, il doit être ininflammable.
- Un système de conduits de retour d'air est recommandé. Si l'unité est installée dans un espace confiné ou un placard, une connexion de retour doit être installée à l'extérieur de l'enceinte.
- Les gaines d'alimentation et de retour doivent être correctement dimensionnées pour répondre aux exigences du système en matière d'air et de pression statique. Les gaines doivent être isolées avec une isolation d'au moins 1 po d'épaisseur avec une barrière anti-vapeur dans les zones climatisées et d'au moins 2 po dans les zones non climatisées.

- Le plénum d'alimentation doit être de la même taille que l'ouverture à bride fournie autour de la sortie du ventilateur et doit idéalement dépasser d'au moins 3 pi du ventilo-convecteur avant de tourner ou de ramifier le plénum dans les conduits. Le plénum forme une extension du boîtier du ventilateur et minimise les pertes d'expansion d'air du ventilateur.
- Les filtres à air de remplacement doivent être homologués comme filtres à air de générateur d'fournaise de Classe 2.

Tableau des tailles des filtres	
Taille de l'unité (MBTUH)	Taille du filtre
12-24	12 x 20 po
25-30 et 36	16 x 20 po
31 et 37-48	16 x 24 po
60	18 x 24 po

DÉGAGEMENTS D'INSTALLATION

Le dégagement par rapport aux matériaux combustibles doit être de 0 po par rapport au corps de l'unité et de 0 po par rapport au plénum et à la gaine pendant les premiers 36 po.

Le ventilo-convecteur peut être installé dans un placard à faux fond pour former un plénum de retour d'air ou installé avec un plénum de retour d'air sous le ventilo-convecteur.

Les registres ou grilles de retour d'air sont fournis sur place. Les codes locaux peuvent limiter l'application des systèmes sans retour avec conduits dans les bâtiments à un étage.

- Installer les registres dans un placard. Utiliser le « Tableau des exigences minimales du filtre » pour déterminer la taille de l'ouverture qui fournira la quantité d'air libre dont vous aurez besoin. En cas d'utilisation de registres ou de grilles, faire correspondre la surface libre du registre ou de la grille à la surface libre minimum de retour d'air que vous avez déterminée nécessaire en consultant le « Tableau des exigences minimales du filtre ».

- Si la zone libre n'est pas connue, supposer une zone libre de 25 % pour le bois ou une zone libre de 75 % pour les grilles ou registres métalliques.
- Si le plénum de retour d'air est utilisé, la grille de retour d'air doit être immédiatement devant l'ouverture du plénum pour permettre le libre débit de l'air de retour.
- S'il n'est pas installé devant l'ouverture, il doit y avoir un dégagement suffisant autour du ventilo-convecteur pour permettre la libre circulation de l'air de retour.

OPTIONS DE CONFIGURATION

Pour faciliter l'installation, il est préférable de modifier la configuration du serpentín avant de mettre le ventilo-convecteur en place.

- Les ventilo-convecteurs verticaux ascendants ne contiennent qu'une seule cuvette de drainage.
- Les ventilo-convecteurs multi-positions contiennent 2 cuvettes de drainage.

Installations verticales (vers le haut)

Le ventilo-convecteur doit être supporté par le dessous uniquement et installé sur un plancher solide ou un cadre de support fourni sur place. Fixer solidement le ventilo-convecteur au sol ou au cadre de support. Pour une meilleure efficacité et un meilleur débit d'air, le bac de drainage horizontal (si installé) doit être retiré des unités en configuration ascendante.

Installations horizontales

Les installations horizontales peuvent être alimentées en air à gauche ou à droite.

Un support adéquat doit être fourni pour assurer l'intégrité de l'enceinte. Les unités montées à l'horizontale doivent être montées légèrement inclinées vers les connexions de drainage (voir Figure 5) de manière à ce que la cuvette de drainage se vide complètement sans que de l'eau ne se retienne dans la cuvette. S'assurer qu'il y a suffisamment d'espace pour retirer les panneaux de service et d'accès en cas d'installation en position horizontale.

IMPORTANT :

- Ce serpentín est fourni avec un drain secondaire qui doit être piégé et raccordé à un endroit qui avertit visuellement l'occupant que le drain primaire est bouché. Voir « Installation du drain de condensat ».
- Quand un serpentín d'évaporateur est installé dans un grenier ou au-dessus d'un plafond fini, une cuvette de drainage auxiliaire doit être installée sous le ventilo-convecteur comme spécifié par la plupart des codes du bâtiment locaux, et doit avoir un encombrement supérieur à celui du ventilo-convecteur.
- Prolonger l'isolation de la conduite d'aspiration de 2 po dans l'enceinte du serpentín pour empêcher l'humidité de s'égoutter sur l'isolation (il peut être nécessaire de retirer le passe-fil en caoutchouc).

Conversion de Vertical à Horizontal

Un ventilo-convecteur vertical uniquement peut être converti en évacuation horizontale en installant un ensemble de cuvette de drainage horizontale (voir accessoires).

Un ventilo-convecteur multi-positions peut être converti d'un refoulement horizontal à gauche à un refoulement horizontal à droite sans pièces supplémentaires.

Installation de l'enceinte suspendue

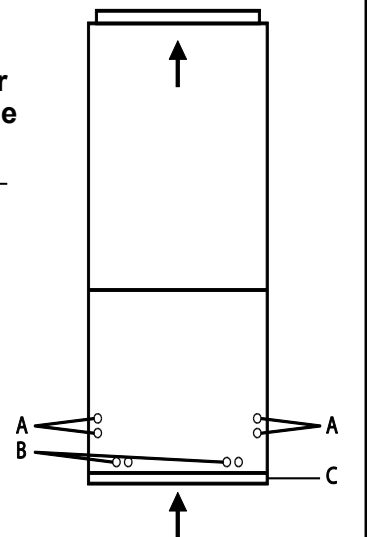
REMARQUE : Le ventilo-convecteur doit être positionné d'un côté parallèle au sol en position horizontale, avec un pas de 1/2 po vers le drain.

Les dispositifs de suspension doivent être fabriqués sur place et doivent être composés d'au moins deux « socles » fabriqués en fixant deux tiges filetées de 3/8 po à un entretoise de 1-5/8 x 7/8 po. Les socles ne doivent pas interférer avec le retrait du panneau, les connexions de drainage ou les connexions de réfrigérant.

FIGURE 1

Ventilo-convecteur en position verticale ascendante

- A. Raccords de drainage horizontaux gauche ou droit
- B. Raccords de drainage ascendants
- C. Cadre inférieur/filtre



CONNEXIONS DE LA CUVE DE DRAINAGE

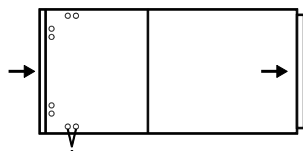
Les installations horizontales peuvent être « droite » ou « gauche ».

Pour les installations horizontales à droite, il peut être nécessaire de changer l'emplacement de la cuvette de drainage. Utiliser les raccords de drainage « A » ci-dessous. Pour les installations horizontales à gauche, utiliser les raccords de drainage marqués « B » ci-dessous.

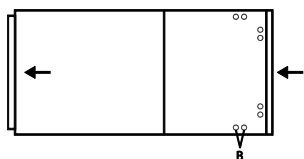
FIGURE 2

Ventilo-convecteur en position horizontale

Horizontal droit prêt en usine (sur les modèles multi-positions)



Horizontal gauche
Nécessite un changement d'emplacement de la cuvette de drainage



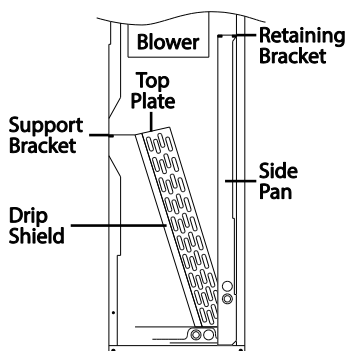
Les modèles indiqués à la Figure 3 sont expédiés avec une configuration horizontale à droite. Pour convertir en débit d'air horizontal gauche, procédez comme suit :

1. Retirer et mettre de côté tous les panneaux avant.
2. Repérer le support incliné du serpentin et retirer les 2 vis du côté de l'enceinte.
3. Retirer le support de fixation de la cuvette de drainage horizontale.
4. Retirer soigneusement l'ensemble serpentin et la ou les cuvette(s) de drainage de l'unité.
5. Si le ventilo-convecteur doit être utilisé pour une circulation ascendante, la cuvette horizontale et le support peuvent être jetés.

FIGURE 3

Conversion du débit d'air

De gauche à droite (illustré) ou de droite à gauche (modèles de 12-30 ou 36 Mo/h)



6. Retirer les vis maintenant le support du serpentin sur le côté gauche de la plaque supérieure. Repositionner le support du serpentin sur le côté droit de la plaque supérieure.

7. Retirer la protection anti-égouttures du côté avant gauche de l'ensemble serpentin et la fixer sur le côté avant droit.

8. Répéter l'opération pour les protections anti-égouttures arrière. Si les protections anti-égouttures ne sont pas déplacées, l'air passe autour du serpentin.

9. Si nécessaire pour une installation horizontale, faire glisser la cuvette de drainage horizontale sur la cuvette inférieure. En cas d'application verticale, n'installer que la cuvette inférieure. Installer la ou les cuvette(s) en bas à gauche du ventilo-convecteur. S'ils sont installés correctement, les drains doivent correspondre aux ouvertures défonçables sur le panneau de connexion (voir schéma).

10. Remettre l'ensemble serpentin dans unité.

11. Remonter les vis de fixation du support incliné du serpentin.

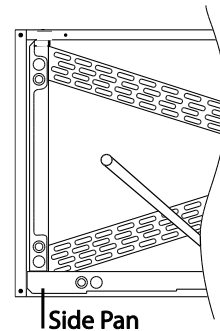
12. Décoller les panneaux nécessaires pour les connexions des conduites de drainage.

Les modèles indiqués à la figure 4 sont expédiés en configuration horizontale droite. Pour convertir en débit d'air horizontal gauche, procédez comme suit :

FIGURE 4

Conversion du débit d'air

De gauche à droite (illustré) ou de droite à gauche (modèles de 31, 37-60 MBTUH)



1. Retirer et mettre de côté les panneaux avant.

2. Retirer soigneusement l'ensemble serpentin et la cuvette de drainage inférieure de l'unité.

3. Déplacer la cuvette de drainage latérale du côté gauche du serpentin vers la droite.

4. Déplacer le support du serpentin sous la plaque supérieure du côté gauche du serpentin vers la droite.

5. Remonter l'ensemble serpentin modifié dans l'unité.

6. Décoller les panneaux nécessaires pour les connexions des conduites de drainage.

ATTENTION : Faire attention lors du retrait de l'ensemble serpentin de unité. L'installation dans cette configuration peut faire basculer le serpentin dans l'unité une fois dégagé de l'enceinte. Appuyer sur le serpentin pour le retirer.

INCLINAISON DU DRAIN

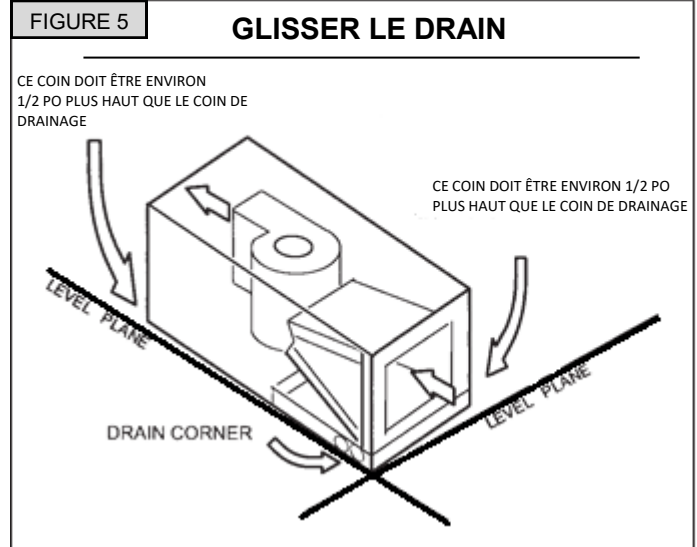
S'assurer que l'unité est inclinée d'environ 1/2 po (similaire à la pente illustrée à la Figure 5) pour assurer un drainage correct du condensat. **REMARQUE** : Une pente supérieure à 5/8 po peut causer un refoulement dans le trou de drainage auxiliaire en cas de forte électricité statique.

INSTALLATION DU DRAIN DE CONDENSAT

Le ventilateur-convecteur est fourni avec des raccords de drainage de condensat NPT de 3/4 po.

Un bac de drainage secondaire fabriqué sur place, avec un tuyau de drainage vers l'extérieur du bâtiment, est nécessaire pour toute installation sur un espace de vie fini ou dans toute zone pouvant être endommagée par le débordement du bac de drainage principal. Dans certaines localités, les codes locaux exigent une cuvette de drainage secondaire pour toute installation horizontale. La cuvette de drainage secondaire doit avoir un encombrement supérieur à celui du ventilateur-convecteur.

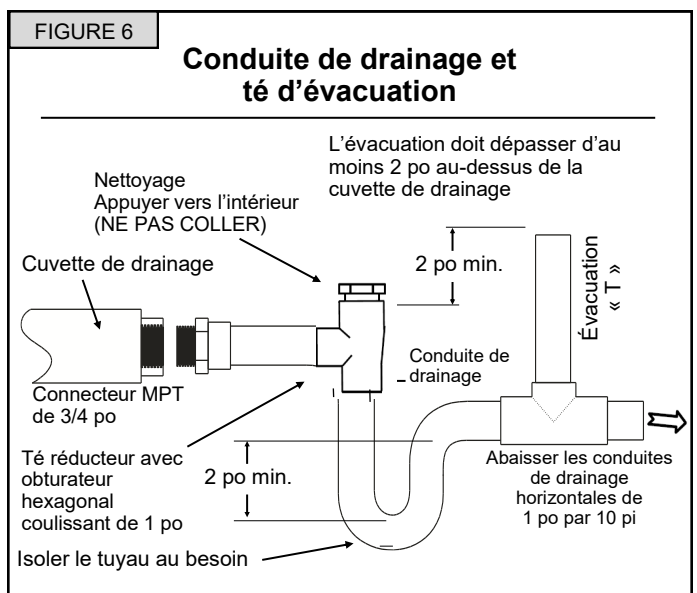
1. Retirer les ouvertures défonçables appropriées pour les drains. Voir la section « Connexions de la cuvette de drainage ». Il peut être nécessaire de retirer l'ensemble serpentin intérieur de l'enceinte.
2. Déterminer les connexions de drainage à utiliser et noter la différence entre les ouvertures primaire (verte) et secondaire (rouge). Des bouchons de drainage sont fournis pour toutes les ouvertures; retirer et jeter les bouchons appropriés avec un cliquet d'entraînement de 1/2 po et vérifier que les autres bouchons sont bien serrés (2,5 pi-lb). Fixer la conduite de drainage à la cuvette avec des raccords en PVC filetés mâles de 3/4 po. Le serrage à la main est suffisant – ne pas trop serrer et ne pas réduire la dimension de la conduite de drainage.
3. Les connexions de drainage secondaire doivent être connectées à un système de drainage séparé. Amener ce drain à un endroit conforme aux codes d'installation locaux où il sera remarqué quand l'unité est opérationnelle. Le condensat s'écoulant du drain secondaire indique un drain primaire bouché.
4. Installer un purgeur de 2 po dans la conduite de drainage primaire aussi près que possible de l'unité. S'assurer que la partie supérieure du siphon se trouve sous la connexion au bac de drainage pour permettre un drainage complet du bac. **REMARQUE** : Les tronçons horizontaux doivent également être équipés d'un conduit d'évacuation anti-siphon (tuyau d'évacuation) installé avant le tronçon horizontal. Voir Figure 6. Un parcours horizontal extrêmement long peut nécessiter une conduite de drainage surdimensionnée pour éliminer les blocages. **REMARQUE** : Ne pas faire fonctionner le ventilateur-convecteur sans purgeur. Le drain de condensat est du côté pression négative du ventilateur; par conséquent, l'air aspiré par la conduite de condensat empêchera un drainage positif sans purgeur approprié.



5. Acheminer la conduite de drainage jusqu'à l'extérieur ou un drain approprié. Les conduites de drainage doivent être installées de manière à ne pas bloquer l'accès d'entretien à l'avant du ventilateur-convecteur. Un dégagement de 24 po est nécessaire pour le retrait du filtre, du serpentin ou du ventilateur et l'accès à l'entretien. **REMARQUE** : Vérifier les codes locaux avant de connecter la conduite de drainage à un système de drainage existant.
6. Isoler les conduites de drainage là où la transpiration peut endommager l'eau.

Une fois l'installation terminée, il incombe à l'installateur de s'assurer que la ou les cuvette(s) de drainage capturent tout le condensat et que tout le condensat s'écoule correctement et ne s'égoutte pas dans la gaine/le système.

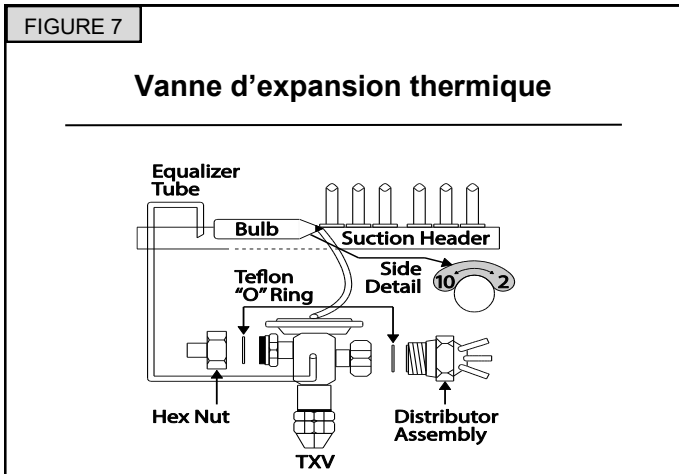
1. Verser plusieurs litres d'eau dans la cuvette de drainage, suffisamment pour remplir le purgeur et la conduite de drainage.
2. Vérifier que la cuvette de drainage s'écoule complètement, qu'aucune fuite n'est détectée dans les raccords de la conduite de drainage et que l'eau s'écoule de l'extrémité de la cuvette de drainage primaire.
3. Corriger les fuites éventuelles.



DISPOSITIF DE PRÉLÈVEMENT

Vanne d'expansion thermique (TXV)

Certains modèles sont équipés d'une vanne d'expansion thermique installée en usine. Le bulbe de détection de la vanne doit être retiré pendant l'installation et ré-attaché au collecteur (Fig. 7). Pour un rendement optimal, fixer et isoler le bulbe à 10 ou 2 heures à l'extérieur de l'enceinte sur la conduite d'aspiration principale, à moins d'un pied du raccord de la conduite d'aspiration. Au besoin, le bulbe peut être installé sur une conduite d'aspiration verticale. Dans ce cas, le bulbe doit être placé avant tout purgeur, le tube capillaire du bulbe orienté vers le haut.

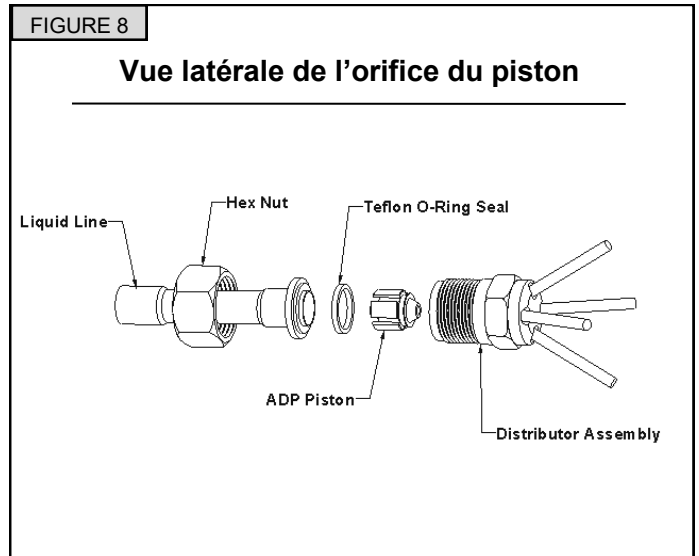


Pistons

Comme expédié en usine, le piston installé dans chaque serpentín est choisi pour la capacité BTUH nominale du serpentín. Une étiquette sur la conduite de liquide indique la taille du piston. Pour un rendement optimal, le piston doit être dimensionné pour correspondre au BTUH nominal de l'unité de condensation.

Pour changer les pistons, suivre la procédure suivante :

1. Desserrer l'écrou hexagonal situé sur la conduite de liquide et le séparer de l'ensemble distributeur.
2. Retirer le piston existant de l'ensemble distributeur.
3. Insérer le piston désiré dans le distributeur.
4. Inspecter le joint torique et le remplacer s'il est endommagé. S'assurer que le joint est en place.
5. Réinstaller l'écrou hexagonal sur le corps et serrer à 10 pi-lb.



INSTALLATION DE L'ÉTIQUETTE A2L

Apposer en permanence sur l'étiquette de série le dispositif de mesure et de réfrigérant A2L (R-454B et R-32) utilisé. Voir exemple ci-dessous.

REFRIGÉRANT: FACTORY CONFIGURED FOR R-454B
● FIELD INSTALLED AS R-454B
FIELD CONFIGURED TO
○ R-32

METERING DEVICE
● TXV
○ PISTON

INSTALLATION DE LA CONDUITE DE RÉFRIGÉRANT

Les conduites de réfrigérant doivent être connectées par un technicien certifié par l'EPA conformément aux procédures établies.

IMPORTANT :

- Le raccordement des conduites de réfrigérant doit être effectué en cuivre propre, déshydraté et de qualité réfrigérante. Les serpentins du ventilo-convecteur ne doivent être installés qu'avec les dimensions de conduite spécifiées pour les combinaisons de systèmes approuvées.
 - Faire attention aux conduites de réfrigérant pendant l'installation. Des coudes coupants ou des plicatures dans les conduites peuvent entraîner une restriction.
 - Ne pas retirer les capuchons des conduites ou des points de connexion du système. Les connexions de l'unité sont prêtes à être effectuées.
- Acheminer les conduites d'aspiration et de liquide des raccords du serpentin intérieur aux raccords de l'unité extérieure. Faire passer les conduites sur un chemin direct, évitant ainsi les virages et les coudes inutiles.
 - S'assurer que la conduite d'aspiration est isolée sur toute la longueur exposée et que les conduites d'aspiration et de liquide ne sont pas en contact direct avec les sols, les murs, les gaines, les solives ou d'autres conduites.

- Connecter la conduite d'aspiration et la conduite de liquide au serpentin d'évaporateur.
- Pour éviter d'endommager les œillets en caoutchouc de l'enceinte pendant le brasage, faire glisser les œillets en caoutchouc sur les conduites de réfrigérant jusqu'à ce qu'ils soient éloignés de la source de chaleur.
- Braser avec un alliage d'argent, de cuivre et de phosphore avec un point de fusion supérieur à 1100 °F. **REMARQUE :** Ne pas utiliser de soudure douce.
- Réinstaller les œillets en caoutchouc une fois le brasage terminé.
- S'assurer que le climatiseur extérieur unité a été mis en place conformément aux instructions d'installation et est connecté aux conduites de réfrigérant.

ADP recommande d'installer un filtre déshydrateur et une vitre dans la conduite de liquide. Pendant le brasage, purger le système avec de l'azote pour éviter toute contamination. ADP recommande de rattacher et d'isoler le bulbe de détection TXV à 10 ou 2 heures sur la conduite d'aspiration, à l'extérieur du boîtier du serpentin, à moins d'un pied de la connexion. Évacuer le système à 500 microns pour assurer une évacuation correcte de l'air et de l'humidité (**Remarque :** Une évacuation profonde ou une triple évacuation est recommandée). Ouvrir lentement la vanne de service d'aspiration et laisser le réfrigérant s'écouler dans le système avant d'ouvrir la vanne de service de liquide.

INSTRUCTIONS DE CHARGEMENT DU RÉFRIGÉRANT

En mode Climatisation, la température extérieure doit être supérieure ou égale à 60 °F. Pour que les pressions se stabilisent, faire fonctionner le système pendant au moins 15 minutes entre les réglages. Lors du réglage de la charge des systèmes équipés de serpentins extérieurs à microcanaux, effectuer de petits ajustements (1 once ou moins) car ces systèmes sont très sensibles à la charge de réfrigérant.

Charge TXV^{2,3,4} – Utiliser la méthode de charge recommandée par les instructions de l'unité extérieure. ADP recommande également de charger à un sous-refroidissement de 12 °F pour les unités CA et à un sous-refroidissement de 10 °F pour les thermopompe. De plus, si la vanne est réglable, régler à 10 °F de surchauffe.

Charge à orifice fixe^{2, 3, 4} – Utiliser la surchauffe recommandée par les instructions de l'unité extérieure.

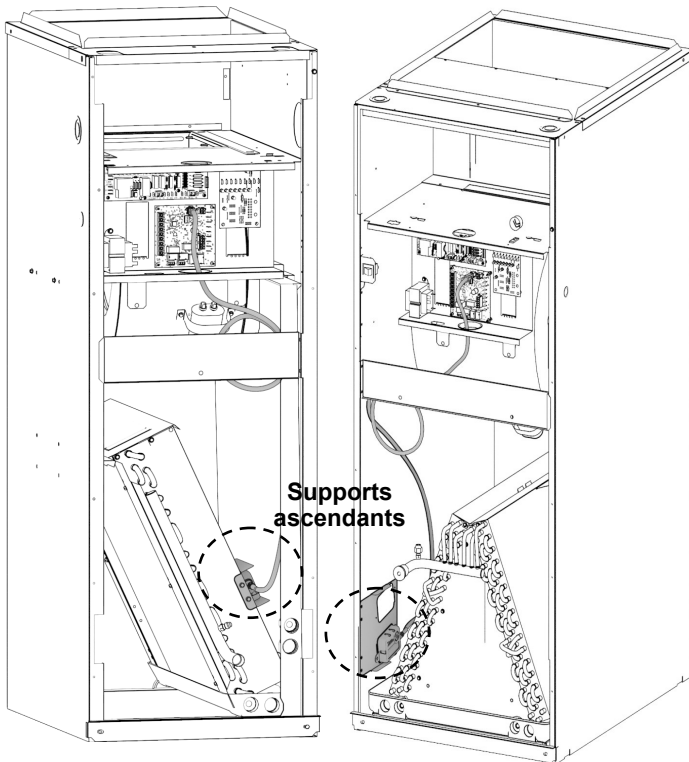
Pour les thermopompe initialement chargées en mode Climatisation, les réglages fins pour charger en mode Chauffage sont acceptables au besoin. Certaines thermopompe doivent être chargées en mode Chauffage. Dans ce cas, se reporter aux instructions extérieures pour les procédures de charge recommandées.

Si le système est sous-chargé après la charge initiale, ajouter du réfrigérant jusqu'à ce que la vitre de vision soit dégagée et que les pressions, températures, sous-refroidissement et surchauffe recommandées puissent être obtenues. Si le système est surchargé après la charge initiale, récupérer le réfrigérant jusqu'à ce que les pressions, températures, sous-refroidissement et surchauffe recommandées puissent être obtenues.

Remarques :

- En cas de problème ou de question concernant les frais, contacter le service à la clientèle.
- Les méthodes de charge des FEO varient en fonction de la conception et de l'application. Vérifier que toutes les pressions, températures, sous-refroidissement et réglages de surchauffe recommandés produisent la charge correcte.
- Les serpentins ADP peuvent nécessiter une compensation de charge en raison de la variation de taille par rapport au serpentin OEM.
- Les températures sont de ± 2 °F, sauf recommandation contraire.

Modèles	Débit d'air minimum Q_{min} (CFM)	Charge de réfrigérant maximale autorisée dans une installation (livres)	
		R-454B	R-32
B-12	458	16,9	17,5
B-18	458	16,9	17,5
B-24	588	21,7	22,5
B-25	528	19,5	20,2
B-30	528	19,5	20,2
B-31	528	19,5	20,2
B-36	1118	30,0	30,0
B-37	528	19,5	20,2
B-42	880	30,0	30,0
B-48	880	30,0	30,0
B-60	1056	30,0	30,0



Modèles à serpentin incliné

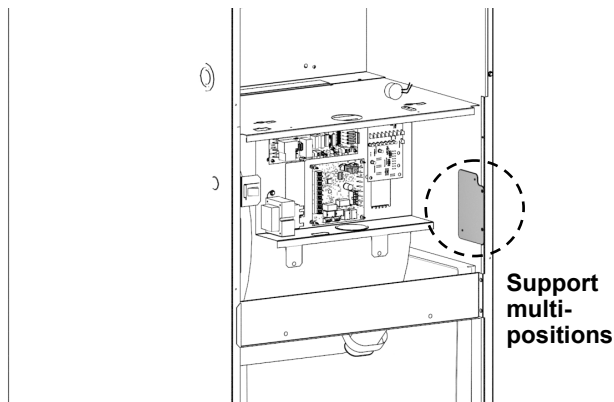
Modèles à serpentin A

REMARQUE : Le ventilo-convecteur sera configuré en usine pour l'application ascendante avec le capteur de réfrigérant A2L (R-454B et R-32) positionné au bas du ventilo-convecteur comme illustré ci-dessus à l'aide du support de capteur ascendant.

Configuration ascendante

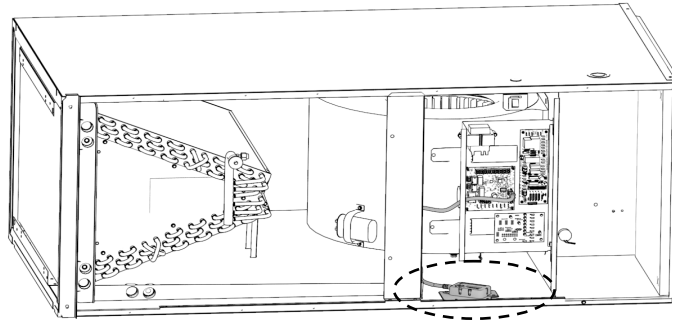
1. S'assurer que le support de capteur de débit ascendant est toujours assemblé au ventilo-convecteur comme illustré ci-dessus.
2. Confirmer que le capteur est toujours branché sur l'orifice « Sensor #1 » du panneau de commande du système de détection de réfrigérant (RDS)

REMARQUE : Les ventilo-convecteurs équipés de serpentins en A auront un support de capteur supplémentaire monté sur l'enceinte près du panneau de commande comme illustré ci-dessous. Ce support est le support multi-positions et doit être utilisé pour les configurations horizontales gauche ou droite.



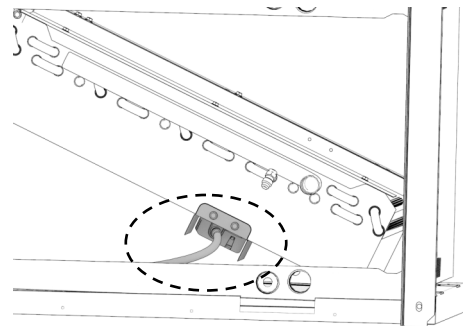
Configuration horizontale droite

1. Les modèles à serpentin incliné peuvent être installés en configuration horizontale droite sans aucune modification de l'emplacement du capteur tel qu'installé en usine.
2. Sur les modèles à serpentin A, retirer le capteur du support ascendant et l'assembler sur le support multi-positions comme illustré ci-dessous.
3. Confirmer que le capteur est toujours branché sur l'orifice « Sensor #1 » du panneau de commande du système de détection de réfrigérant (RDS)

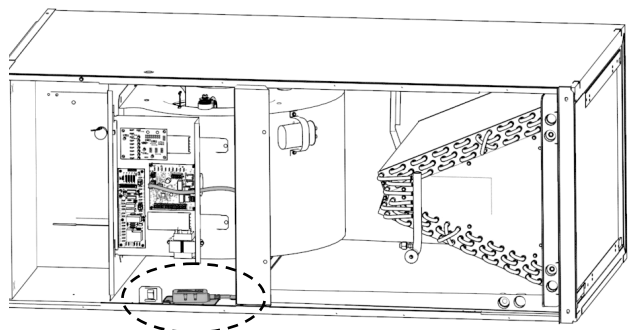


Configuration horizontale gauche

1. Pour les modèles à serpentin incliné, une fois que la position du serpentin a été modifiée, assembler le capteur avec le support sur le serpentin, le capteur faisant face à la cuvette de drainage comme illustré ci-dessous.
2. Confirmer que le capteur est toujours branché sur l'orifice « Sensor #1 » du panneau de commande du système de détection de réfrigérant (RDS)



3. Sur les modèles à serpentin A, une fois que le serpentin et la cuvette de drainage ont été repositionnés, repositionner le support de capteur multi-positions et assembler le capteur comme illustré ci-dessous.
4. Confirmer que le capteur est toujours branché sur l'orifice « Sensor #1 » du panneau de commande du système de détection de réfrigérant (RDS)



CONTRÔLEUR DU SYSTÈME DE DÉTECTION DE RÉFRIGÉRANT A2L

RÉGLAGES DES MICROCONTACTS

Régler les microcontacts en fonction de la configuration du capteur. Le non-respect de cette consigne entraînera des erreurs à la mise sous tension.

Chaque microcontact correspond à une position du capteur (c.-à-d. microcontact 1 au capteur 1; microcontact 2 au capteur 2). Les positions usine par défaut des microcontacts sont réglées sur OFF. Le logiciel RDSC lit la position OFF comme active. Mettre l'interrupteur sur ON désactive la position du capteur. Le tableau suivant indique toutes les configurations possibles. Les configurations autres que celles illustrées ci-dessous causent une défaillance.

Les configurations autres que celles indiquées ci-dessous au Tableau 1 causent une défaillance.

Configuration	DIP1	DIP2
Un (1) capteur dans le connecteur 1	OFF	ON
Deux capteurs; dans les connecteurs 1, 2.	OFF	OFF

TABLEAU 1 : RÉGLAGES DES MICROCONTACTS

CODES DE DIAGNOSTIC

Le RDSC est équipé d'une diode électroluminescente (DEL) située dans son enceinte. La DEL indique l'état du RDSC. Voir le Tableau 2 et le Tableau 3 pour revoir les codes de clignotement.

Province	Code de clignotement de la DEL	Action
Initialisation	Vert clignotant	S/O
Surveillance	Vert fixe avec clignotement bleu	S/O
Atténuation(Fuite détectée)	Bleu clignotant	Vérifier que les tubes du serpentin ne fuient pas. Réparer le problème et redémarrer l'équipement.
Défaillance/Entretien	Bleu fixe, interrompu par le code d'émission	Voir CODES DE DIAGNOSTIC DES DEL ROUGES / DÉPANNAGE.

TABLEAU 2 : CODES CLIGNOTANTS À DEL

Clignotement rouge	Par capteur	Problème	Action
1	Oui	Défaillance du capteur	Remplacer le capteur
2	Oui	S/O	S/O
3	Oui	Type de capteur incompatible	Remplacer par un capteur compatible
4	Oui	Problème de communication avec le capteur	Vérifier les capteurs connectés. S'assurer que la connexion est propre et bien serrée.
5	Non	Mauvais relais/mauvais câblage	Vérifier que l'alimentation 24VAC n'est pas raccordée aux bornes R du RDSC. Les entrées R doivent être sous tension pour que le RDSC fonctionne.
6	Non	Configuration invalide du nombre de capteurs	Vérifier que le réglage du microcontact est correct et correspond au nombre de capteurs utilisés.

TABLEAU 3 : CODES DE DIAGNOSTIC À DEL ROUGE / DÉPANNAGE

FONCTION DU BOUTON TEST

Le RDSC est équipé d'un bouton Test/Réinitialisation. Le bouton Test peut être utilisé pour effectuer plusieurs fonctions, en fonction du mode de fonctionnement du RDSC. Le Tableau 4 indique les fonctions du bouton Test à chaque mode de fonctionnement.

Mode de fonctionnement	Appuyer brièvement sur le bouton Test pour....
Normal	Déclenche une réponse de détection des fuites. Vérifier que tout l'équipement est correctement câblé sur le RDSC (après l'installation).
Fuite détectée	Remettre le RDSC à un mode de fonctionnement normal une fois qu'une fuite antérieure a été détectée et purgée du système de CVAC.
Défaillance	Réinitialisez le RDSC après avoir résolu une défaillance. Si le défaut n'est pas résolu, le RDSC repasse en mode Erreur.

TABLEAU 4 : FONCTION DES BOUTONS DE TEST

FONCTIONS SUPPLÉMENTAIRES DU BOUTON TEST

Le Tableau 5 indique les fonctions supplémentaires du bouton Test quand le RDSC fonctionne dans les états Initialisation, Surveillance, Atténuation, Entretien et Défaillance.

ÉTAT	APPUYER	ACTION
Initialisation	Court	Si le dénombrement des capteurs est terminé, ignorer la pré-purge restante.
Initialisation	Long	Réinitialisation du contrôleur
Surveillance	Court	Effacer le compteur de purge en cas d'atténuation antérieure; tester l'atténuation
Surveillance	Long	Réinitialisation du contrôleur
Atténuation	Court	En cas de test d'atténuation, terminer le test.
Entretien	Court	Réévaluer la condition de défaillance — si elle est effacée, retourner à la surveillance, sinon mettre l'indicateur à jour.
Entretien	Long	Réinitialisation du contrôleur
Défaillance	Court	Réévaluer la condition de défaillance — si elle est effacée, retourner à la surveillance, sinon mettre l'indicateur à jour.
Défaillance	Long	Réinitialisation du contrôleur

TABLEAU 5 : FONCTIONS SUPPLÉMENTAIRES DES BOUTONS DE TEST

COMPATIBILITÉ DU THERMOSTAT

Les types de thermostat suivants sont compatibles avec le RDSC :

- Thermostats équipés d'une mémoire non volatile
- Thermostats alimentés par batterie
- Thermostats analogiques
- Thermostats intelligents
- Thermostats programmables à modèle tardif

Remarque : les thermostats numériques et programmables de première génération peuvent ne pas fonctionner s'ils sont déconnectés de l'alimentation électrique. Ces types de thermostats peuvent ne pas conserver le mode de fonctionnement et les points de consigne de température.

Les exemples suivants sont susceptibles de se produire lorsque les occupants ne sont pas disponibles pour régler les points de consigne du thermostat :

- Le chauffage peut être perdu pendant une nuit froide.
- La climatisation peut être perdue par temps chaud.
- Le thermostat peut rétablir un point de consigne de température incorrect.

Vérification de la compatibilité

Procéder comme suit pour déterminer si le thermostat est compatible avec le RDSC.

1. Noter le point de consigne et le mode de fonctionnement du thermostat.
2. Remettre le disjoncteur sous tension du fournaise.

REMARQUE : Attendre (5) minutes avant d'alimenter le disjoncteur du fournaise.

3. Noter si le thermostat a maintenu ses points de consigne et son mode de fonctionnement.
 - a. Si le thermostat a conservé les réglages, il thermostat est compatible avec le RDSC.
 - b. Si le thermostat ne maintient pas son point de consigne et/ou son mode de fonctionnement, il n' thermostat est pas compatible avec le RDSC. Il est recommandé d'utiliser un thermostat compatible.

MODES DE FONCTIONNEMENT

Les modes de fonctionnement du RDSC sont Initialisation, Normal, Fuite détectée et Défaillance.

Initialisation

Le RDSC établit une connexion avec le capteur de détection du réfrigérant et effectue une séquence de purge initiale de (5) minutes.

Normal

Le système de CVCA fonctionne normalement. Le RDSC n'a pas détecté de fuite de réfrigérant.

Fuite détectée

Quand le RDSC détecte une fuite de réfrigérant :

1. Le RDSC arrête l'entrée (R) (alimentation 24 VCA) du thermostat, qui met hors tension le compresseur de l'unité extérieure et les sources de chaleur, telles que le chauffage au gaz et/ou à bande électrique. Aucune demande de chauffage ou de climatisation ne sera satisfaite.
2. Le RDSC active le ventilateur (vitesse maxi). Le ventilateur purge le réfrigérant de l'enceinte, du plénum et des gaines.

3. Une fois que le RDSC a déterminé que les niveaux de réfrigérant sont inférieurs au seuil de sécurité, le ventilateur continue à fonctionner pendant sept (7) minutes supplémentaires.
4. Une fois la séquence du ventilateur terminée, le système CVAC reprend son fonctionnement normal.

REMARQUE : *Le système de CVAC peut ne pas maintenir un point de consigne de climatisation ou de chauffage en cas de fuite importante. Toute fuite de réfrigérant qui reste insatisfaite pendant une période prolongée peut entraîner l'arrêt du système de CVAC en condition de limite de pression du réfrigérant.*

Défaillance

Lorsqu'une défaillance est détectée dans le RDSC, le ventilateur du fournaise d'air chaud s'engage et reste engagé à une puissance constante jusqu'à ce que le RDSC soit remplacé.

PROCÉDURE DE TEST DE DÉMARRAGE

Le RDSC est équipé d'un bouton Test/Réinitialisation, voir « Fonction du bouton Test » à la page 10. Une fois que le RDSC a été installé et câblé, rétablir l'alimentation du système de CVAC. Le système fonctionne ensuite pendant une séquence de purge de (5) minutes. Une fois la séquence de purge terminée, procéder aux tests de demande de climatisation et de demande de chauffage.

Demande de climatisation

1. Demander une demande de climatisation au thermostat.
2. Appuyer sur le bouton Test du RDSC. Le système exécute alors une réponse de détection des fuites.
3. Respecter la séquence suivante :
 4. L'indicateur DEL clignote pour détecter les fuites (bleu clignotant).
 5. Le ventilateur se met en marche.
 6. Le compresseur extérieur s'arrête.

7. Appuyer sur le bouton Test pour mettre fin au mode de détection simulée des fuites une fois le test terminé.

Demande de chauffage

1. Demander une demande de chauffage au thermostat.
2. Respecter la séquence suivante :
 - a. L'indicateur DEL clignote pour détecter les fuites (bleu clignotant).
 - b. Le ventilateur se met en marche.
 - c. Les brûleurs à gaz s'éteignent.
 - d. Le compresseur extérieur s'arrête.

L'installation du RDSC est terminée une fois les deux séquences terminées.

APPLICATIONS SUPPLÉMENTAIRES

Dans les applications en zones, tous les registres restent ouverts quand le RDSC est en mode Défaillance ou Fuite détectée. Les demandes de chauffage et de climatisation normales sont autorisées, mais le ventilateur reste engagé jusqu'à ce que la condition de défaillance soit corrigée.

Système de CVAC de zone

Si le RDSC est installé dans un système de CVAC de zone, il ouvre tous les registres de zone en cas de fuite.

Remarque : Un câblage correct du panneau de zone au RDSC est nécessaire pour que tous les registres de zone s'ouvrent.

Une fois la séquence de purge terminée, le système de zone reprend son fonctionnement normal.

Pour le câblage correct, se reporter à l'IOM du registre.

Alarme extérieure

(Pour les applications avec alarmes externes câblées directement au RDSC)

Le RDSC déclenche le système d'alarme externe quand il passe en mode Fuite détectée.

Pour un câblage correct, voir Alarme IOM.

CONNEXIONS DE LA TENSION D'ALIMENTATION

⚠ **AVERTISSEMENT** ⚠

Choc électrique

Couper l'alimentation électrique avant de procéder à l'entretien.
Remettre toutes les pièces et panneaux en place avant de les utiliser.
Mettre le ventilo-convecteur à la terre.
Connecter le fil de terre à la borne de terre marquée .
Le non-respect de cette consigne peut entraîner la mort ou un choc électrique.

Danger d'explosion

Tenir les matériaux et vapeurs inflammables, comme l'essence, à l'écart de cette unité.

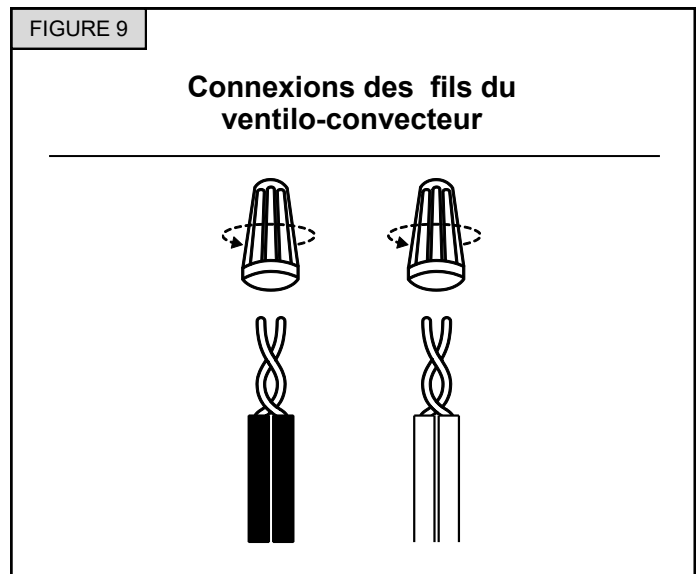
Placer cette unité de manière à ce que les éléments chauffants soient à au moins 18 po (46 cm) au-dessus du sol pour une isolation dans le garage.

Le non-respect de ces instructions peut entraîner la mort, une explosion ou un incendie.

1. Déconnecter toutes les sources d'alimentation.
2. Retirer le panneau d'accès au ventilo-convecteur.
3. Acheminer les fils d'alimentation sur place jusqu'au boîtier de connexion électrique du ventilo-convecteur.
4. À l'aide d'écrous homologués UL, connecter les fils d'alimentation sur place au ventilo-convecteur; noir-noir et jaune-jaune (240 V) ou blanc-blanc (120 V), comme illustré à la Figure 8.
5. Connecter le fil de terre à la borne de terre portant la mention « GND ».
6. Remonter le panneau d'accès au ventilo-convecteur.

Taille de l'unité (MBTUH)	Ensemble de chauffage électrique (kW)
12	5
18, 24	10
25	15
30	17,5
31	15
36, 37, 42, 48, 60	20

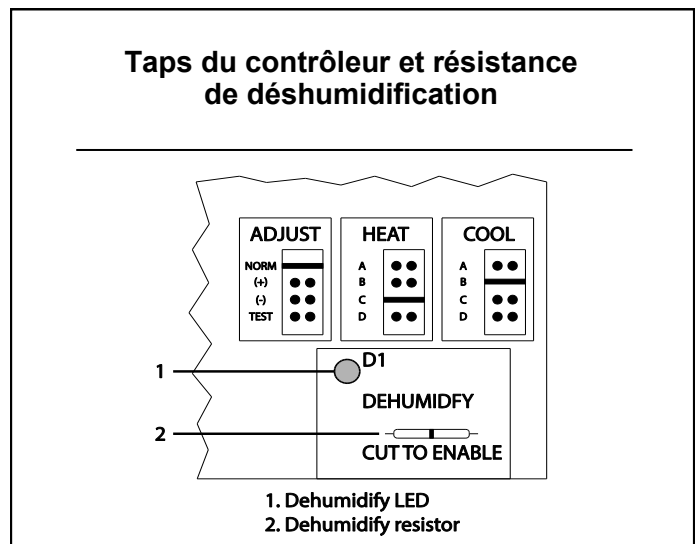
Tableau : Ensembles de chauffage électrique kW maximum pouvant être installés sur place pour leur taille respective de ventilo-convecteur.



CONTRÔLEUR À VITESSE VARIABLE

Le panneau de commande du moteur qui permet la sélection comprend également des DEL qui affichent le mode de fonctionnement, le contrôle de l'humidité et le débit d'air. De plus, les signaux du thermostat pour le chauffage d'urgence (EM), aux, heat (W1), la vanne d'inversion (O), le stage 1 du compresseur (Y1), le stage 2 du compresseur (Y2) et le ventilateur (G) sont tous indiqués par des DEL allumées sur cette carte. Si un humidistat est utilisé, la DEL de déshumidification s'allume quand l'humidistat s'ouvre et que le moteur fonctionne à un débit d'air réduit. Le panneau de commande est également équipé d'une DEL CFM qui affiche le débit de fonctionnement. Cette DEL rouge clignote une fois par 100 pi³/min. Par exemple, si le débit de fonctionnement est de 1 200, la DEL du débit clignote 12 fois, puis s'arrête avant de répéter le schéma à 12 clignotements.

Remarque spéciale pour les unités équipées d'un humidistat : si un humidistat est utilisé, la résistance Déshumidification située en bas à droite du panneau de commande doit être retirée. La borne HUM sur la carte doit être connectée au contact Normalement fermé de l'humidistat afin que la carte détecte un circuit ouvert en cas d'humidité élevée.



INSTALLATION DU SERPENTIN D'EAU CHAUDE

Les ventilo-convecteurs hydroniques ADP (certifiés NSF 372) peuvent être utilisés avec des systèmes d'eau potable et sont expédiés avec ou sans pompes à circulation. Des ensembles sont également disponibles. Voir le dimensionnement des tuyaux et des pompes dans le guide technique et de spécification du ventilo-convecteur pour les unités avec des pompes extérieures.

Le dimensionnement correct du chauffage de l'eau doit tenir compte à la fois de la capacité en gallons ET de l'apport en BTU du chauffe-eau.

Pour déterminer la capacité en gallons du chauffe-eau :

Un chauffe-eau au gaz ou au mazout d'au moins 40 gallons à récupération élevée et/ou haute efficacité est recommandé. Le guide de dimensionnement du volume suivant est satisfaisant dans la plupart des régions.

1. Déterminer le volume

<u>pi³/min</u>	<u>Chauffe-eau</u>	<u>Exigences</u>
600-800		40 gallons
1000-1200		40 gallons
1400-1600		Soit 2 - 40 gallons raccordés ensemble, 1 entrée élevée 50 gallons (entrée de 63 000 à 75 000 Btu/h) ou réservoir de 1 - 72 gallons (ou plus).
2000		Toute combinaison de chauffe-eaux raccordée à un débit total de 105 000 Btu/h.

2. Déterminer les exigences d'entrée BTU/HR du chauffe-eau

Supposons un rendement de récupération du chauffe-eau de 76 %

Entrée BTU/HR =

Climats doux : perte de chaleur de la structure X 1,51

Climats froids : perte de chaleur de la structure X 1,58

AVIS

En cas de connexion à un chauffe-eau sans réservoir, il peut être nécessaire de changer la pompe de circulation pour obtenir un débit correct. Voir les instructions du chauffe-eau pour plus de détails.

AVIS

Utiliser des tuyaux et des raccords en cuivre. D'autres matériaux compatibles pour les tuyaux et les raccords ne peuvent être utilisés que s'ils sont approuvés par les autorités de réglementation locales et s'ils sont installés conformément aux instructions d'installation et d'application du fabricant.

AVIS

Les joints à souder des conduites d'eau domestiques doivent être fabriqués avec du SOUDEUR SANS PLOMB.

AVIS

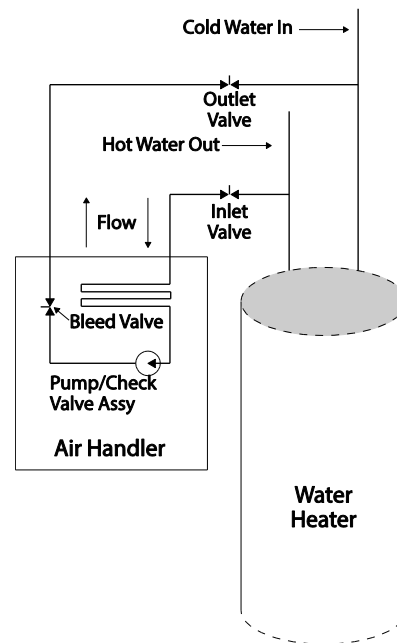
L'État de la masse exige l'utilisation d'un minuteur sur les applications avec eau domestique pour faire circuler l'eau périodiquement pendant le cycle d'arrêt. Cette minuterie de la pompe est une fonction standard installée en usine sur tous les ventilo-convecteurs de la série B. Une distance maximale de 50 pieds entre le chauffe-eau et le ventilo-convecteur est également nécessaire.

AVIS

La protection antigel installée en usine sur tous les ventilo-convecteurs équipés de serpentins à eau chaude est conçue pour protéger le serpentin du gel. L'installateur doit protéger les conduites d'eau du gel dans les espaces non climatisés tels que les greniers, les vides sanitaires ou les structures qui peuvent être inoccupées pendant le gel. L'isolation des conduites ou l'utilisation d'une solution eau-glycol peut aider à éviter le gel des conduites.

FIGURE 10

Installation typique avec un chauffe-eau Domestique
de nombreuses variations sont possibles sur les vannes extérieures.



RINÇAGE À L'EAU CHAUDE DU SERPENTIN

Le rinçage du serpentin d'eau chaude avant le démarrage est nécessaire pour retirer tout matériau résiduel des processus d'installation ou de fabrication, ainsi que tout air du système.

Une vanne de purge est installée de série sur tous les ventilo-convecteurs équipés de pompes de circulation installées en usine. Si une pompe de circulation extérieure est utilisée, utiliser une vanne de purge extérieure ou un autre mécanisme

pour rincer le serpentin d'eau chaude après l'installation. Prendre des précautions lors du rinçage du ventilo-convecteur pour empêcher le panneau de commande multifonction et les autres composantes électriques de se mouiller. De l'eau chaude est préférable pour le rinçage.

Le rinçage est un processus en 3 étapes. Utiliser un seau ou un flexible pour éliminer l'eau de la vanne de purge pendant le rinçage (voir Figure 9).

Tout d'abord, rincer la conduite de retour en fermant la vanne d'entrée (alimentation) et en ouvrant la vanne de sortie (retour). Ouvrir la vanne de purge. Fermer la vanne de purge une fois le rinçage terminé.

Ensuite, rincer la conduite d'alimentation et le serpentin en fermant la vanne de sortie (retour) et en ouvrant la vanne d'entrée (alimentation). Ouvrir la vanne de purge. Fermer la vanne de purge une fois le rinçage terminé.

Troisièmement, mettre le ventilo-convecteur sous tension. Ouvrir les vannes d'entrée et de sortie. Engager la pompe et ouvrir la vanne de purge. Vérifier la direction du débit; l'entrée doit devenir chaude avant la sortie. Fermer la vanne de purge une fois le rinçage terminé.

Faire fonctionner la pompe pendant 5 minutes immédiatement après le rinçage du système pour purger l'air restant de la chambre des paliers de la pompe.

! **ATTENTION** !

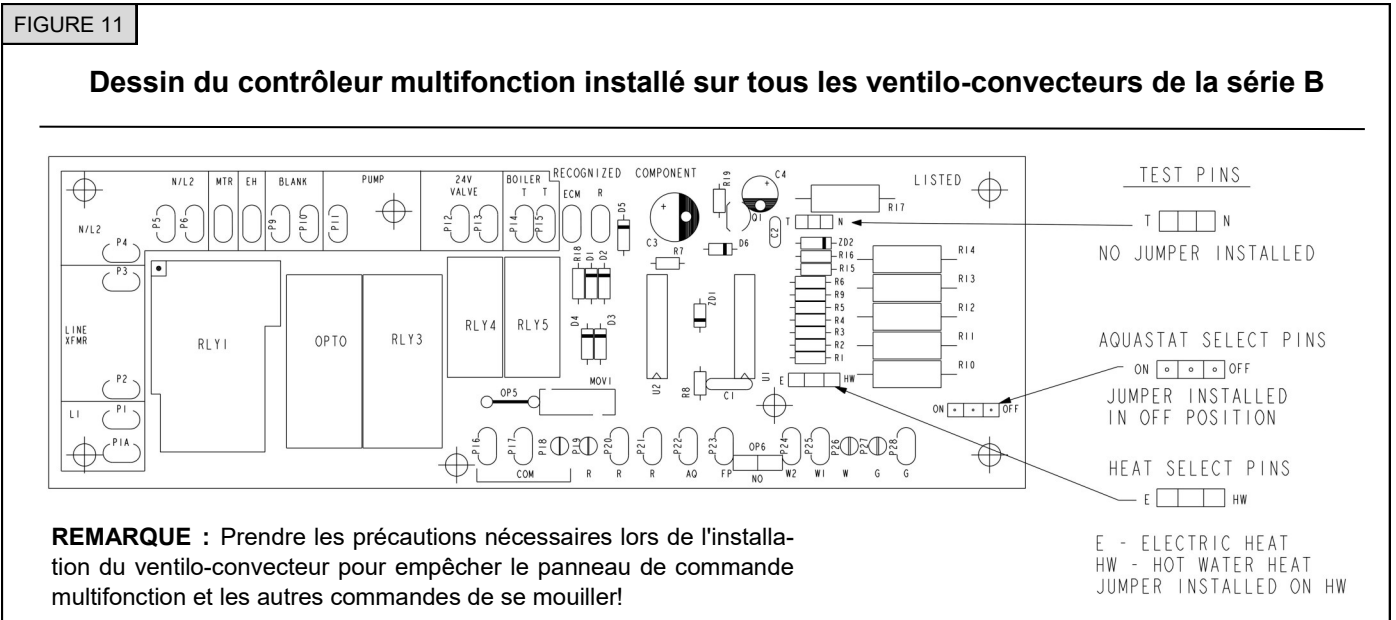
Ne pas engager la pompe avant la fin de la procédure de rinçage. Faire fonctionner la pompe à sec pour l'endommager.

! **ATTENTION** !

Se conformer aux exigences du fabricant de la canalisation pour tout rinçage ou nettoyage supplémentaire nécessaire du serpentin et de la canalisation en cas d'utilisation d'une canalisation sans cuivre.

SÉQUENCE DE FONCTIONNEMENT

Le circuit de l'interrupteur de sécurité de la porte du ventilateur doit être terminé pour que toutes les séquences de fonctionnement aient lieu.



Climatisation

Quand le thermostat demande la climatisation, le circuit entre R et G est terminé et le **relais du ventilateur** est mis sous tension. Les contacts Normalement ouverts se ferment, ce qui fait fonctionner le moteur du ventilateur intérieur. Le circuit entre R et Y est également terminé; ce circuit ferme le contacteur du moteur du ventilateur extérieur. Les circuits R et O ou R et B mettent la vanne d'inversion sous tension, en la mettant en position Climatisation (en fonction de l'unité extérieure). Le ventilateur du ventilo-convecteur s'arrête 45 secondes après que le thermostat a arrêté de demander le refroidissement.

Chauffage (chauffage électrique uniquement)

Quand le thermostat demande du chauffage, le circuit entre R

et W est terminé et le séquenceur de l'aérotherme est mis sous tension. Un délai est nécessaire avant que les éléments de chauffage et le moteur du ventilateur intérieur ne démarrent. Les unités équipées d'un deuxième séquenceur de chaleur peuvent être connectées avec le premier séquenceur à W sur la base secondaire du thermostat ou à une deuxième étape sur la base secondaire. Le ventilateur du ventilo-convecteur s'arrête 30 secondes après que le thermostat a arrêté de demander le chauffage.

Chauffage (thermopompe avec chauffage électrique)

Quand le thermostat demande du chauffage, les circuits entre R et Y et R et G sont terminés. Circuit R-Y met le contacteur sous tension en démarrant le moteur du ventilateur extérieur et

SÉQUENCE DE FONCTIONNEMENT

le compresseur. Les circuits R et G mettent le relais du ventilateur sous tension en démarrant le moteur du ventilateur intérieur. Les circuits R et O ou R et B mettent la vanne d'inversion sous tension, le mettant en position de chauffage (en fonction de l'unité extérieure). Si la température de la pièce continue à chuter, le circuit entre R et W1 est complété par le thermostat de la pièce de chauffage de deuxième stage. Le circuit R-W1 met sous tension un séquenceur de chaleur. Le circuit terminé met sous tension le chauffage électrique supplémentaire (le cas échéant). Les unités équipées d'un deuxième séquenceur de chauffage peuvent être connectées au premier séquenceur à W1 sur le thermostat ou à un deuxième stage de chauffage W2 sur la base du thermostat. Le ventilateur du ventilo-convecteur s'arrête 30 secondes après que le thermostat a arrêté de demander le chauffage.

Chauffage d'urgence (thermopompe avec chauffage électrique)

Si le sélecteur du thermostat est réglé sur la position de chauffage d'urgence, la thermopompe est verrouillée hors du circuit de chauffage et tout le chauffage est un chauffage électrique (le cas échéant). Un cavalier doit être placé entre W2 et E sur la base du thermostat pour que le contrôleur de chauffage électrique passe au chauffage de premier stage du thermostat. Ceci permet au ventilateur intérieur de se mettre en marche et de s'arrêter avec le chauffage électrique quand l'interrupteur du ventilateur est en position AUTO.

Chauffage (chauffage à l'eau chaude uniquement)

Quand le thermostat demande de la chaleur, le circuit entre R et W est terminé, ce qui active la pompe de circulation d'eau chaude. Si une pompe de circulation installée sur place est utilisée, le panneau de commande peut toujours être câblé directement à la pompe ou à une vanne d'isolation fournissant de l'eau chaude au ventilo-convecteur à l'aide du contacteur à relais 24V du panneau de commande. Un relais de commutation sec similaire de 24 V étiqueté TT peut être utilisé pour activer une vanne de chaudière ou de chauffe-eau. Une fois le circuit entre R et W terminé

Unités équipées d'un aquastat installé en usine - La température de l'eau à l'intérieur du serpentin d'eau chaude doit atteindre 130 deg. F avant que le circuit entre R et G ne soit terminé pour activer le moteur du ventilateur intérieur. Pour désactiver un aquastat installé en usine, il suffit de déplacer la broche du sélecteur sur le panneau de commande multifonction (voir schéma ci-dessus) de la position Marche à la position Arrêt.

Unités sans Aquastats installés en usine ou Aquastats désactivés - Un délai de 60 secondes suit avant que le circuit entre R et G ne soit terminé pour activer le moteur du ventilateur intérieur.

Le ventilateur du ventilo-convecteur s'arrête 30 secondes après que le thermostat a arrêté de demander le chauffage.

Chauffage (thermopompe avec eau chaude)

Quand le thermostat demande du chauffage, les circuits entre R et Y et R et G sont terminés. Circuit R-Y met le contacteur sous tension en démarrant le moteur du ventilateur extérieur et le compresseur. Les circuits R et G mettent le relais du ventilateur sous tension en démarrant le moteur du ventilateur intérieur. Les circuits R et O ou R et B mettent la vanne d'inversion sous

tension, en le mettant en position Climatisation (en fonction de l'unité extérieure). Si la température de la pièce continue à chuter, le thermostat de la pièce de chauffage de deuxième stage termine le circuit entre R et W. Si une pompe de circulation installée sur place est utilisée, le panneau de commande peut toujours être câblé directement à la pompe ou à une vanne d'isolation fournissant de l'eau chaude au ventilo-convecteur à l'aide du contacteur à relais 24V du panneau de commande. Un relais de commutation sec similaire de 24 V étiqueté TT peut être utilisé pour activer une vanne de chaudière ou de chauffe-eau. Une fois le circuit entre R et W terminé

Unités équipées d'un aquastat installé en usine - La température de l'eau à l'intérieur du serpentin d'eau chaude doit atteindre 130 deg. F avant que le circuit entre R et G ne soit terminé pour activer le moteur du ventilateur intérieur. Pour désactiver un aquastat installé en usine, il suffit de déplacer la broche du sélecteur sur le panneau de commande multifonction (voir schéma ci-dessus) de la position Marche à la position Arrêt.

Unités sans Aquastats installés en usine ou Aquastats désactivés — un délai de 60 secondes s'écoule avant que le circuit entre R et G n'active le moteur du ventilateur intérieur.

Le ventilateur du ventilo-convecteur s'arrête 45 secondes après que le thermostat a arrêté de demander le chauffage.

Protection contre le gel (chauffage à l'eau chaude)

Si la température de l'eau à l'intérieur du serpentin d'eau chaude tombe en dessous de 40 °F, le circuit entre R et W est terminé, ce qui active la pompe de circulation d'eau chaude, la pompe de circulation extérieure ou la vanne d'isolation. Une fois que la température de l'eau dépasse 70 °F, le circuit entre R et W est ouvert et l'eau chaude arrête de circuler dans le serpentin d'eau chaude.

Pour empêcher la protection contre le gel d'activer la pompe de circulation d'eau en mode Climatisation, déplacer le thermostat de congélation à l'extrême gauche ou à l'extrême droite du serpentin d'eau et isoler avec du ruban adhésif en mousse.

Minuterie de la pompe (chauffage à l'eau chaude)

L'État du Massachusetts exige l'utilisation d'un minuteur sur les applications avec eau domestique pour faire circuler l'eau périodiquement pendant le cycle d'arrêt. Cette minuterie de la pompe est installée en usine sur tous les ventilo-convecteurs de la série B. La minuterie de la pompe active la pompe de circulation ou la vanne d'isolation pendant une minute toutes les six heures en complétant le circuit entre R et W. La minuterie de la pompe est ignorée pendant que le compresseur extérieur fonctionne.

VÉRIFICATIONS DU MANUTENTEUR D'AIR

Vérifier le fonctionnement du ventilateur

1. Mettre le thermostat sur FAN ON.
2. Le ventilateur intérieur doit s'allumer.

Vérifier le réchauffeur électrique (si utilisé)

1. Régler le thermostat pour demander le chauffage auxiliaire (environ 5 °F au-dessus de la température ambiante). Le ventilateur intérieur et le chauffage auxiliaire doivent s'allumer ensemble. Laisser tous les séquenceurs fonctionner pendant au moins trois minutes.
2. Régler le thermostat de manière à ce qu'il ne demande pas de chauffage. Laisser tous les séquenceurs s'arrêter pendant cinq minutes.

 AVERTISSEMENT 
 Risque de choc électrique
Déconnecter toutes les sources d'alimentation avant de procéder à l'entretien.
Remettre toutes les pièces et panneaux en place avant de les utiliser.
Le non-respect de cette consigne peut entraîner la mort ou un choc électrique.

Vérifier le débit d'air

Vitesse du ventilateur de climatisation :

- Pour un fonctionnement correct, le débit d'air traversant le serpentin intérieur doit être compris entre 350 et 450 pi³/min par tonne de puissance de climatisation (350 - 450 pi³/min par 12 000 BTU/h) en fonction de la puissance de l'unité extérieure.
- La vitesse de ventilateur de climatisation est configurée en usine pour fournir un débit d'air correct pour une unité extérieure qui correspond à la puissance de refroidissement maximale du ventilo-convecteur.
- Si l'unité extérieure est inférieure à la puissance de refroidissement maximale du ventilo-convecteur, il peut être nécessaire de modifier la vitesse de ventilateur de climatisation. Voir « Données de rendement du ventilateur ».

IMPORTANT : La vitesse de ventilateur de climatisation doit être réglée pour fournir un débit d'air minimum de 350 pi³/min par tonne (12 000 BTU/h) de capacité de climatisation extérieure.

Pour modifier la vitesse du ventilateur pour le moteur 3-Speed : (Voir « Schéma de câblage – Moteur 3-Speed. »)

Les vitesses de climatisation et de chauffage sont les mêmes que celles qui ont été expédiées en usine. Dans certains cas, il peut être nécessaire de modifier la vitesse de climatisation ou de chauffage. Pour ce faire, suivre la procédure suivante :

1. Déconnecter toutes les sources d'alimentation.
2. Retirer le panneau d'accès au ventilo-convecteur.
3. Localiser le fil du moteur entre le moteur du ventilateur et la prise du moteur panneau de commande.
4. Retirer le fil du moteur du panneau de commande et le remplacer par le fil de vitesse du moteur de P9 ou P10 dans la zone vierge du panneau.
5. Remplacer tous les panneaux.
6. Rebrancher l'alimentation électrique.

DÉTECTION DU RÉFRIGÉRANT INFLAMMABLE

En aucun cas, des sources d'allumage potentielles ne peuvent être utilisées pour rechercher ou détecter des fuites de réfrigérant.

Ne pas utiliser de torche aux halogénures (ou tout autre détecteur utilisant une flamme nue).

Les méthodes de détection des fuites suivantes sont considérées acceptables pour tous les systèmes de réfrigérant.

Des détecteurs de fuites électroniques peuvent être utilisés pour détecter les fuites de réfrigérant mais, dans le cas des RÉFRIGÉRANTS INFLAMMABLES, la sensibilité peut ne pas être adéquate ou nécessiter un nouvel étalonnage. (L'équipement de détection doit être étalonné dans une zone sans réfrigérant.) S'assurer que le détecteur n'est pas une source d'allumage potentielle et qu'il est compatible avec le réfrigérant utilisé. L'équipement de détection des fuites doit être réglé à un pourcentage de la LFL du réfrigérant et doit être étalonné au réfrigérant utilisé, et le pourcentage approprié de gaz (25 % maximum) est confirmé.

Les liquides de détection des fuites peuvent également être utilisés avec la plupart des réfrigérants, mais l'utilisation de détergents contenant du chlore doit être évitée car le chlore peut réagir avec le réfrigérant et corroder les conduites en cuivre.

REMARQUE : Exemples de liquides de détection des fuites :

- méthode des bulles,
- agents de la méthode fluorescente.

En cas de suspicion de fuite, toutes les flammes nues doivent être retirées/éteintes.

En cas de fuite de réfrigérant nécessitant un brasage, la totalité du réfrigérant doit être récupérée du système ou isolée (au moyen de vannes d'arrêt) d'une partie du système à distance de la fuite. Le retrait du réfrigérant doit être conforme à la procédure de retrait et d'évacuation

RÉCUPÉRATION DU RÉFRIGÉRANT

Avant de travailler sur des systèmes contenant du réfrigérant, il est essentiel que le technicien connaisse parfaitement l'équipement et tous ses détails. Il est recommandé de récupérer tous les réfrigérants en toute sécurité. Avant d'effectuer la tâche, un échantillon d'huile et de réfrigérant doit être prélevé au cas où une analyse serait nécessaire avant la réutilisation du réfrigérant récupéré. Il est essentiel que l'alimentation électrique soit disponible avant de commencer la tâche. Les étapes à suivre pour s'assurer sont les suivantes : se familiariser avec l'équipement et son fonctionnement, l'isolation électrique du système, s'assurer qu'avant de tenter la procédure, un équipement de manutention mécanique est disponible, au besoin, pour la manutention des bouteilles de réfrigérant, et que tout l'équipement de protection individuelle est disponible et utilisé correctement pendant que le processus de récupération est supervisé en permanence par une personne compétente et que l'équipement et les bouteilles de récupération sont conformes aux normes appropriées.

De plus, si possible, pomper le réfrigérant et si le vide n'est pas possible, créer un collecteur pour que le réfrigérant puisse être retiré des différentes parties du système. S'assurer que les bouteilles sont installées sur les balances avant la récupération. Démarrer la machine de récupération et la faire fonctionner conformément aux instructions. Ne pas trop remplir les bouteilles (pas plus de 80 % de charge de liquide). Ne pas dépasser la pression de service maximale de la bouteille, même temporairement. Une fois les bouteilles correctement remplies et le processus terminé, s'assurer que les bouteilles et l'équipement sont retirés du site rapidement et que toutes les vannes d'isolation de l'équipement sont fermées. Le réfrigérant récupéré ne doit pas être chargé dans un autre système de réfrigération sauf s'il a été nettoyé et vérifié.

Lors de l'élimination du réfrigérant d'un système, que ce soit pour l'entretien ou la mise hors service, il est recommandé de retirer tous les réfrigérants en toute sécurité. Lors du transfert du réfrigérant dans des bouteilles, s'assurer que seules des bouteilles de récupération de réfrigérant appropriées sont utilisées. S'assurer que le nombre correct de bouteilles pour maintenir la charge totale du système est disponible. Toutes les bouteilles à utiliser sont désignées pour le réfrigérant récupéré et étiquetées pour ce réfrigérant (c'est-à-dire des bouteilles spéciales pour la récupération du réfrigérant). Les bouteilles doivent être équipées d'une vanne de décompression et des vannes d'arrêt associées en bon état de fonctionnement. Les bouteilles de récupération vides sont évacuées et, si possible, refroidies avant la récupération.

L'équipement de récupération doit être en bon état de fonctionnement avec un ensemble d'instructions concernant l'équipement qui est disponible et doit être adapté pour la récupération du réfrigérant inflammable. En cas de doute, consulter le fabricant. De plus, un jeu de balances étalonnées doit être disponible et en bon état de fonctionnement. Les flexibles doivent être équipés de coupleurs étanches et en bon état.

Le réfrigérant récupéré doit être traité conformément à la législation locale dans la bouteille de récupération correcte et la note de transfert des déchets correspondante doit être disposée. Ne pas mélanger de réfrigérants dans les unités de récupération et en particulier dans les bouteilles.

Si les compresseurs ou les huiles de compresseur doivent être retirés, s'assurer qu'ils ont été évacués à un niveau acceptable pour s'assurer que le réfrigérant inflammable ne reste pas dans le lubrifiant. Le corps du compresseur ne doit pas être chauffé par une flamme nue ou d'autres sources d'allumage pour accélérer ce processus. Quand l'huile est vidangée d'un système, elle doit être utilisée en toute sécurité.

ENTRETIEN DU VENTIL-CONVECTEUR

Au début de chaque saison de chauffage, l'unité doit être entretenue par un installateur ou une société d'entretien qualifié.

Lors de la pénétration dans le circuit de réfrigérant pour effectuer des réparations, ou à toute autre fin, des procédures conventionnelles doivent être utilisées. Cependant, pour les réfrigérants inflammables, il est important de respecter les bonnes pratiques, car l'inflammabilité est une considération. Retirer le réfrigérant en toute sécurité conformément aux réglementations locales et nationales.

La charge de réfrigérant doit être récupérée dans les bouteilles de récupération correctes si l'évacuation n'est pas autorisée par les codes locaux et nationaux. Pour les appareils contenant des réfrigérants inflammables, le système doit être purgé avec de l'azote sans oxygène pour rendre l'appareil sécuritaire pour les réfrigérants inflammables. Il peut être nécessaire de répéter cette procédure plusieurs fois. L'air comprimé ou l'oxygène ne doit pas être utilisé pour purger les systèmes réfrigérants.

Pour les appareils contenant des réfrigérants inflammables, la purge des réfrigérants doit être réalisée en brisant le vide du système avec de l'azote sans oxygène et en continuant à se remplir jusqu'à ce que la pression de fonctionnement soit atteinte, puis en évacuant l'air jusqu'à l'atmosphère, puis en tirant finalement vers le bas jusqu'à un vide (optionnel pour A2L). Cette procédure doit être répétée jusqu'à ce qu'aucun réfrigérant ne se trouve dans le système (optionnel pour A2L). Quand la charge d'azote sans oxygène finale est utilisée, le système doit être évacué jusqu'à la pression atmosphérique pour permettre le travail. S'assurer que la sortie de la pompe à vide n'est pas proche d'une source d'allumage potentielle et que la ventilation est disponible.

ASSISTANCE OU SERVICE

Si vous avez besoin d'aide, vous pouvez nous contacter à cette adresse pour toute question ou préoccupation. Veuillez indiquer un numéro de téléphone de jour dans votre correspondance.

Advanced Distributor Products
1995 Air Industrial Park Road, Grenade, MS 38901
www.adpnow.com

GARANTIE LIMITÉE DU VENTIL-CONVECTEUR ADP

Durée de la garantie

Advanced Distributor Products (ADP) garantit que les produits vendus seront de qualité marchande, exempts de défauts de matière et de main-d'œuvre, dans des conditions d'utilisation et d'entretien normales, pendant une période de cinq (5) ans à compter de la date d'installation, **sans** dépasser six (6) ans à compter de la date de fabrication, sous réserve des conditions de la garantie limitée d'ADP.

Pour en savoir plus sur la garantie de ce produit, y compris pour accéder aux conditions de garantie complètes, pour vous inscrire à une garantie prolongée* ou pour obtenir des instructions sur le dépôt d'une réclamation au titre de la garantie, rendez-vous sur www.ADPwarranty.com.

* Dans les États ou provinces où les exigences d'enregistrement sont interdites, le fait de ne pas terminer l'enregistrement par le consommateur ne réduit pas ses droits à la garantie.

Information sur l'équipement

Veuillez écrire les renseignements demandés ci-dessous et conserver la présente garantie dans vos dossiers, pour consultation future.

Numéro de modèle de l'unité : _____

Numéro de série : _____

Installation du sous-traitant : _____

Date d'installation : _____

Téléphone : _____

