

Specification Guide

Moduleflex eFurnace™ For Lennox



Contents	Page
Features	2
Physical Data.....	2
Blower Performance	2
Dimensions.....	3
Wiring Diagram.....	3
Thermostat Connections	4

Product Nomenclature

LEF E 3 A 00 S 1 1

Series

LEF = Lennox Moduleflex eFurnace

Blower Motor

E = 5-speed ECM motor

Size / Airflow

- 3 = 3 Ton / 600-1200 CFM
- 4 = 4 Ton / 1000-1600 CFM
- 5 = 5 Ton / 1400-2000 CFM

Cabinet Width

- A = 14.25"
- B = 17.5"
- C = 21.0"
- D = 24.5"

Revision

Voltage

1 = 120 V, 60 Hz, 1 ph., with time delay

Line Voltage Connection

S = Stripped Wires

Electric Heat

00 = No heat



Product improvement is a continuous process at Advanced Distributor Products. Therefore, product specifications are subject to change without notice and without obligation on our part. Please contact your ADP representative or distributor to verify details.

© 2023 by Advanced Distributor Products. All rights reserved.

Application Features

- True replacement for an existing gas furnace
- Multi-position - upflow, downflow, and horizontal left or right airflow
- Industry standard A,B,C, and D cabinet widths
- Compact design for tight spaces - only 30" tall
- 120 Volt to use existing service in a gas furnace replacement
- Perfectly matches ADP multi-position, downflow, and horizontal cased coils.
- Bottom and side return capable (both sides)
- Painted front panel available to match coil color

Electrical Features

- 120V 60Hz, 1 Phase, 5-speed high-efficiency ECM motor
- Terminal board with screw down connections for thermostat wiring
- Fan time delay built-in (1 second on, 45 seconds off)
- Line voltage and thermostat connections can be made on left or right side of cabinet

Cabinet Features

- Blower panel with handle and only six (6) screws for easier access
- Cabinet constructed of heavy gauge galvanized steel
- Cabinet lined with high quality 5/8" foil faced insulation
- Slide-out blower assemblies for easy access to blower motor
- Certified to 1.4% or less cabinet air leakage as per ASHRAE 193-210
- Dynamically balanced blowers for quiet, vibration-free operation

Physical Data	Model				
	LEFE3A*	LEFE4B*	LEFE5C*	LEFE5D*	
Nominal CFM Range	400 - 1200	800 - 1600	1000 - 1800	1200 - 2000	
Available Voltage	120 V, 60 Hz, 1 ph.				
Transformer Size & Type	40 VA, Class 2				
Blower Wheel (dia." x width")	10 X 6	10 X 8	10 X 10	10 X 10	
Blower Electrical Data	Motor H. P.	1/2	3/4	1	1
	F. L. A. @ 120 V	5.8	8.7	11.1	11.1
	MCA	7.3	10.9	13.9	13.9
	Circuit Breaker Amps	15	15	15	15
Approximate Weight (lbs)	80	88	92	101	
Approximate Packaged Weight (lbs)	84	93	98	107	

Blower Performance

Unit Size	Tap	Airflow (CFM) vs. External Static Pressure (inches W.C.)									
		0.1	0.2	0.3	0.4	0.5	0.6	0.7	0.8	0.9	1.0
LEFE3A*	1	632	589	542	502	453	386	353	298	263	-
	2	791	751	723	685	647	608	635	596	554	498
	3	968	940	906	882	852	820	869	839	806	773
	4+	1081	1050	1018	994	967	943	1010	981	953	923
	5*	1237	1209	1187	1159	1133	1114	1218	1195	1169	1145
LEFE4B*	1	1037	996	949	904	859	812	815	765	716	656
	2	1240	1198	1156	1119	1078	1039	1064	1025	989	950
	3	1404	1368	1333	1295	1263	1226	1266	1234	1202	1168
	4+	1584	1551	1520	1493	1461	1427	1460	1429	1399	1371
	5*	1689	1661	1631	1599	1568	1543	1564	1533	1502	1471
LEFE5C*	1	1389	1332	1276	1218	1165	1104	1167	1108	1038	962
	2	1567	1516	1462	1415	1360	1305	1372	1316	1259	1207
	3	1950	1906	1866	1839	1795	1749	1820	1781	1741	1698
	4+	1756	1703	1652	1604	1556	1504	1542	1491	1439	1388
	5*	2090	2043	2000	1957	1914	1868	1930	1887	1847	1801
LEFE5D*	1	1401	1346	1286	1221	1164	1104	1138	1088	1033	978
	2	1585	1532	1483	1437	1378	1318	1340	1292	1245	1201
	3	1969	1927	1883	1858	1816	1771	1760	1724	1688	1651
	4+	1798	1751	1706	1663	1616	1564	1544	1504	1460	1416
	5*	2123	2078	2033	1991	1949	1908	1859	1822	1783	1747

Notes :

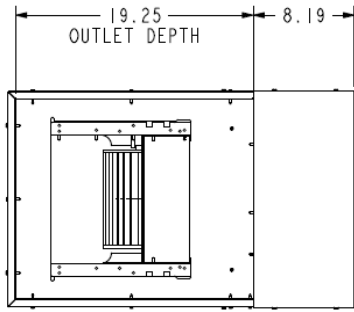
1. All data is given while modular blower is operating without a DX coil and without filter.
2. Speed tap 3 is factory set cooling speed.
3. Speed taps marked with an asterisk (*) denote highest cooling speeds.
4. Speed taps marked with a plus sign (+) denote highest heating speed.

Approved field installed duct heaters

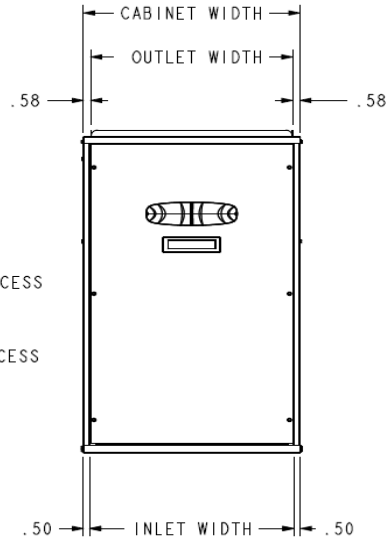
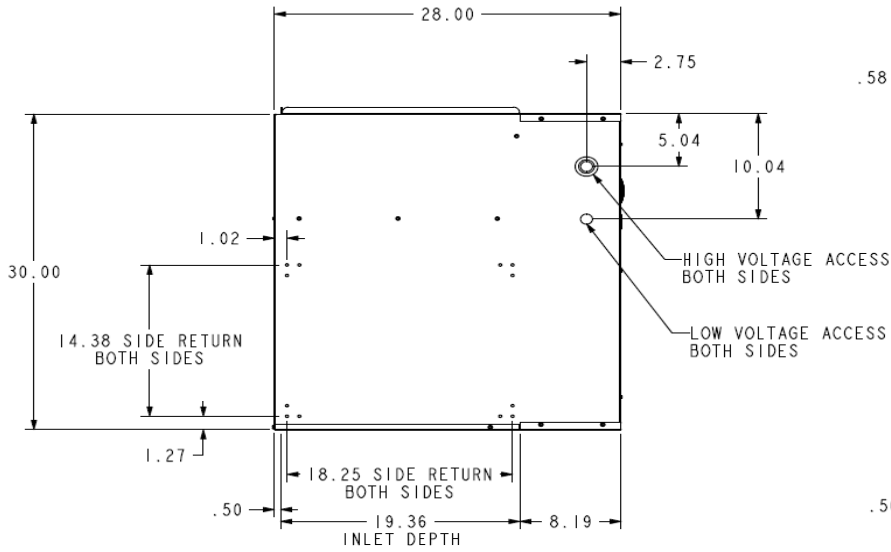
Note: Follow heat kit manufacturer's installation instructions

Model	Heat Kit Part No.
LEFE3A*	Warren - SL10A
LEFE4B*	Warren - SL15A
LEFE5C*	Warren - SL20A
LEFE5D*	Warren - SL20A

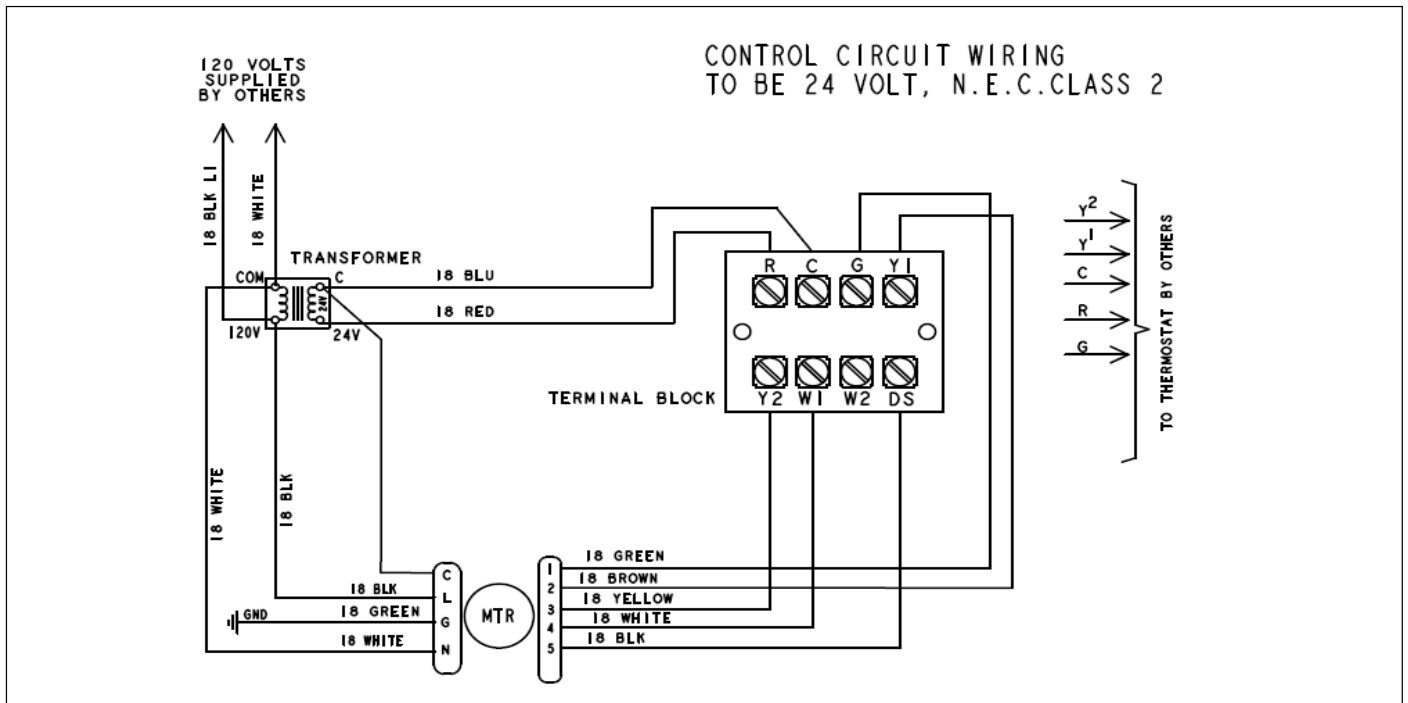
Dimensions



Model	Cabinet Width	Inlet Width	Outlet Width
LEF3A*	14.25"	13.25"	13.09"
LEF4B*	17.50"	16.50"	16.34"
LEF5C*	21.00"	20.00"	19.84"
LEF5D*	24.50"	23.50"	23.34"



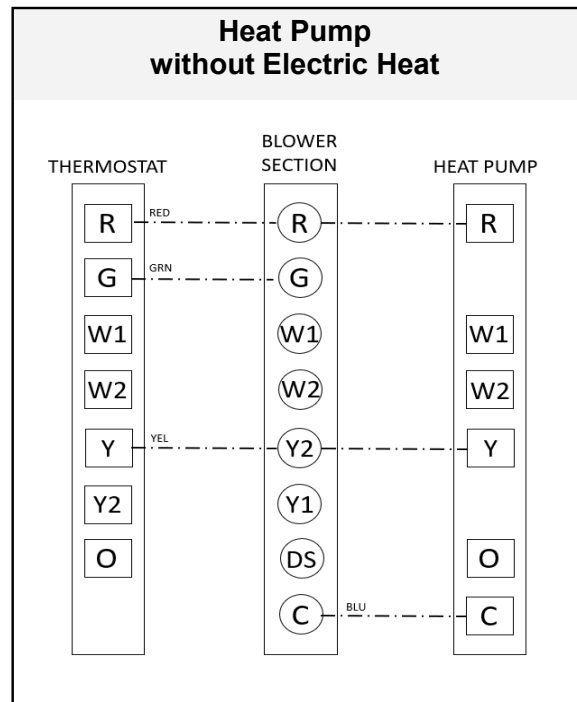
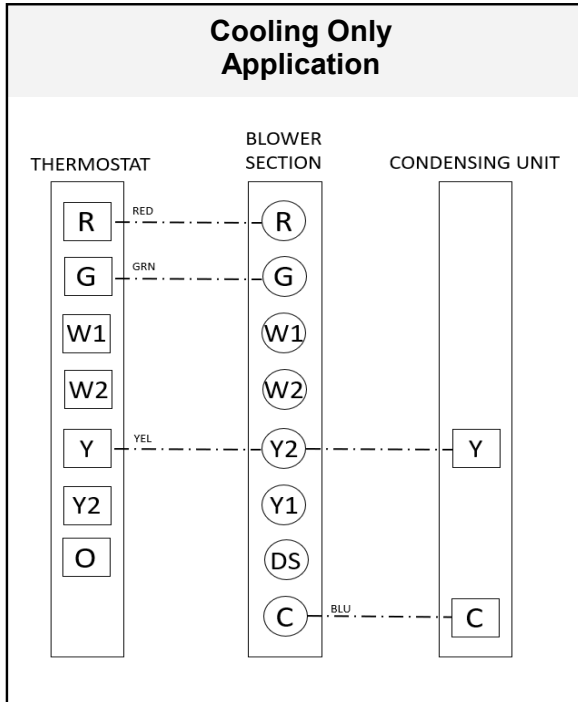
Wiring Diagram



Thermostat Connections

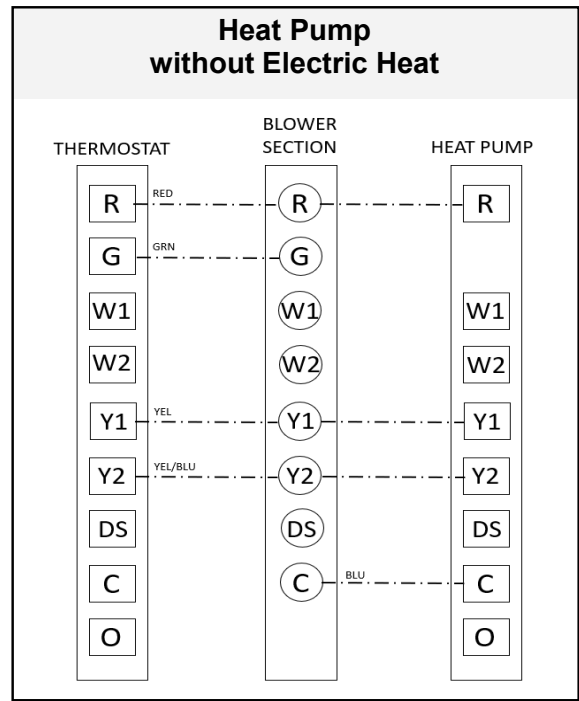
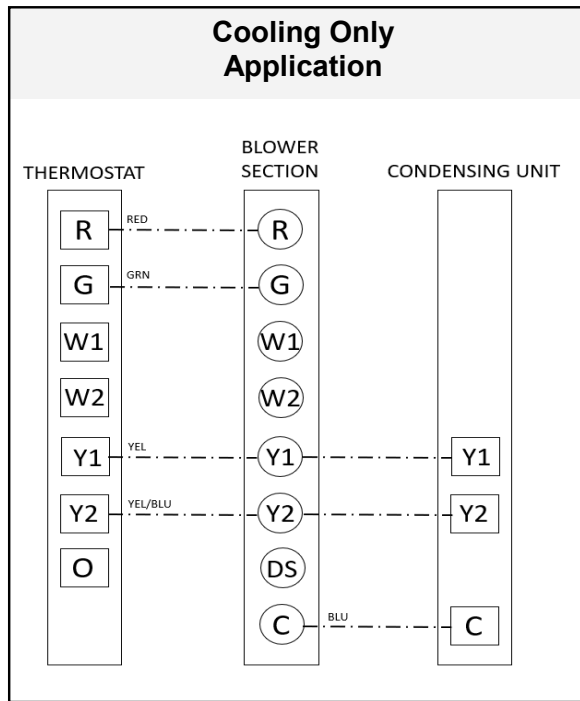
Typical 1- Stage Thermostat Connections

Maximum allowable current draw from power-stealing thermostats or other accessories is 18 mA. Exceeding this value may cause the blower section control board to operate abnormally.



Typical 2- Stage Thermostat Connections

Maximum allowable current draw from power-stealing thermostats or other accessories is 18 mA. Exceeding this value may cause the blower section control board to operate abnormally.





2175 West Park Place Boulevard
Stone Mountain, GA 30087
www.adpnow.com