



# Installation Instructions

## Soffit Mount

### Compact Ceiling Mount Air Handlers

Electric or No Heat, with available 5-Speed High Efficiency ECM Motor

TABLE OF CONTENTS	PAGE	PAGE	
Air Handler Safety .....	1	Refrigerant Piping.....	10
General.....	2	Metering Device .....	10
Outdoor System Requirements.....	2	Refrigerant Line Installation.....	11
Wiring Diagrams.....	3	Refrigerant Charging Instructions.....	11
Thermostat Connections .....	5	Filters.....	12
Electrical Data .....	6	Electrical Requirements .....	12
Blower Performance Data .....	7	Electrical Connections.....	12
Receiving.....	8	Air Handler Checks .....	13
Tools and Parts Needed.....	8	Air Handler Maintenance.....	14
Installation .....	8	Assistance or Service.....	14
Ductwork .....	9	Warranty.....	15
Install Condensate Drain.....	9		

## AIR HANDLER SAFETY

### SAFETY CONSIDERATIONS

Your safety and the safety of others are very important.

We have provided many important safety messages in this manual and on your appliance. Always read and obey all safety messages.



This is the safety alert symbol.

This symbol alerts you to potential hazards that can kill or hurt you and others.

All safety messages will follow the safety alert symbol and signal word. These signals words mean the following:

**DANGER:** You can be **killed or seriously injured** if you don't immediately follow instructions.

**WARNING:** Indicate a potentially hazardous situation which, if not avoided, could result in **death or serious injury**.

**CAUTION:** Indicates a potentially hazardous situation which, if not avoided, may result in **minor or moderate injury**. Caution may also be used to alert against unsafe practices.

**NOTICE:** Indicates a statement of company policy as the message relates directly or indirectly to the safety of personnel or protection of property.

**IMPORTANT:** More detailed information concerning the statement of company policy as the message relates directly or indirectly to the safety of personnel or protection of property.

All safety messages will tell you what the potential hazard is, tell you how to reduce the chance of injury, and tell you what can happen if the instructions are not followed.



**CAUTION**



This appliance is not intended for use by persons (including children) with reduced physical, sensory or mental capabilities, or lack of experience and knowledge, unless they have been given supervision or instruction concerning use of the appliance by a person responsible for their safety. Children should be supervised ensure that they do not play with the appliance.



Product improvement is a continuous process at Advanced Distributor Products. Therefore, product specifications are subject to change without notice and without obligation on our part. Please contact your ADP representative or distributor to verify details.

© by Advanced Distributor Products. All rights reserved.

## AIR HANDLER SAFETY



### IMPORTANT



This unit is a PARTIAL UNIT AIR CONDITIONER, complying with PARTIAL UNIT requirements of this Standard, and must only be connected to other units that have been confirmed as complying to corresponding PARTIAL UNIT requirements of this Standard, UL 60335-2-40/CSA C22.2 No. 60335-2-40, or UL 1995/CSA C22.2 No 236.



### IMPORTANT



Improper installation, adjustment, alteration, service or maintenance can cause property damage, personal injury or loss of life. Installation and service must be performed by a licensed professional HVAC installer or equivalent, service agency, or the gas supplier.



### IMPORTANT



The Clean Air Act of 1990 bans the intentional venting of refrigerant (CFC's and HFC's). Approved methods of reclaiming must be followed. Fines and/or incarceration may be levied for non-compliance.



### IMPORTANT



This unit is a PARTIAL UNIT, it shall only be connected to an appliance using the same refrigerant as listed in the name plate of this unit.



### NOTICE



Maximum altitude of application is 3200 m above sea level.

## GENERAL

These instructions are intended as a general guide only and do not supersede any national or local codes in any way. Compliance with all local, state, or national codes pertaining to this type of equipment should be determined prior to installation.

Read this entire instruction manual, as well as the instructions supplied in separate equipment, before starting the installation.

All models are designed for indoor installation only.

The installation of the air handler, field wiring, warm air ducts, etc. must conform to the requirements of the National Electrical Code, ANSI/NFPA No. 70 (latest edition) in the United States, and any state laws, and local ordinances (including plumbing or wastewater codes). Local authorities having jurisdiction should be consulted before installation is made. Such applicable regulations or requirements take precedence over the general instructions in this manual.

This unit is certified for installation clearances to combustible material as listed on the unit rating plate. Accessibility and service clearances must take precedence over combustible material clearances.

requirements for refrigerant line, condensate disposal, filters, ductwork, wiring, and accessibility for service. Refer to the air handler rating plate on the air handler for specific information.

## OUTDOOR SYSTEM REQUIREMENTS

The air handler is designed to match, and must be used with, outdoor units as rated in AHRI. The indoor sections are manufactured with an interchangeable refrigerant metering device to provide optimum refrigerant control and system

performance with a variety of different capacities of outdoor units. In some cases, the AHRI rating may require that the air handler refrigerant metering device be changed to obtain rated performance.



### WARNING



#### Electrical Shock

Disconnect power before servicing.

Replace all parts and panels before operating.

Electrically ground air handler.

Connect ground wire to ground terminal marked



Failure to do so can result in death or electrical shock.

#### Explosion Hazard

Keep flammable materials and vapors, such as gasoline, away from this unit.

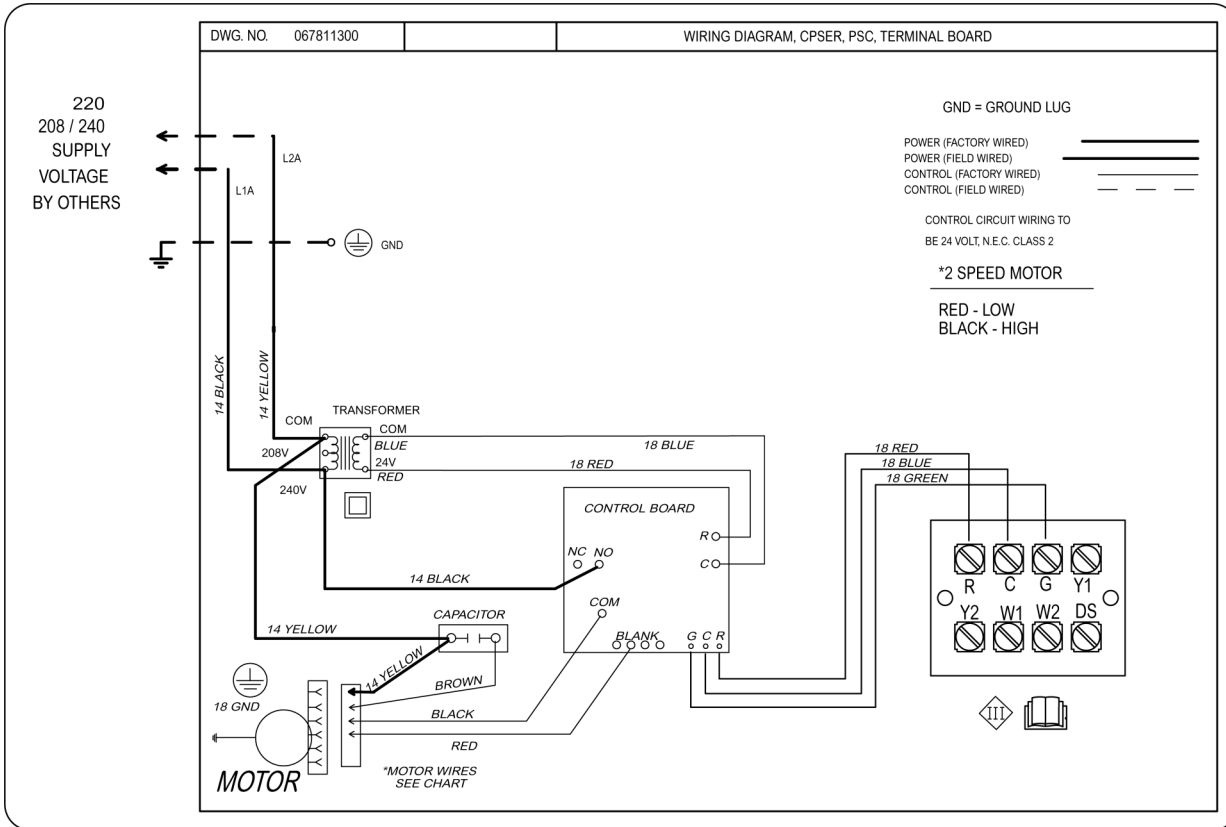
Place this unit so that the heating elements are 18in (46cm) above the floor for a garage insulation.

Failure to follow these instructions can result in death, explosion or fire.

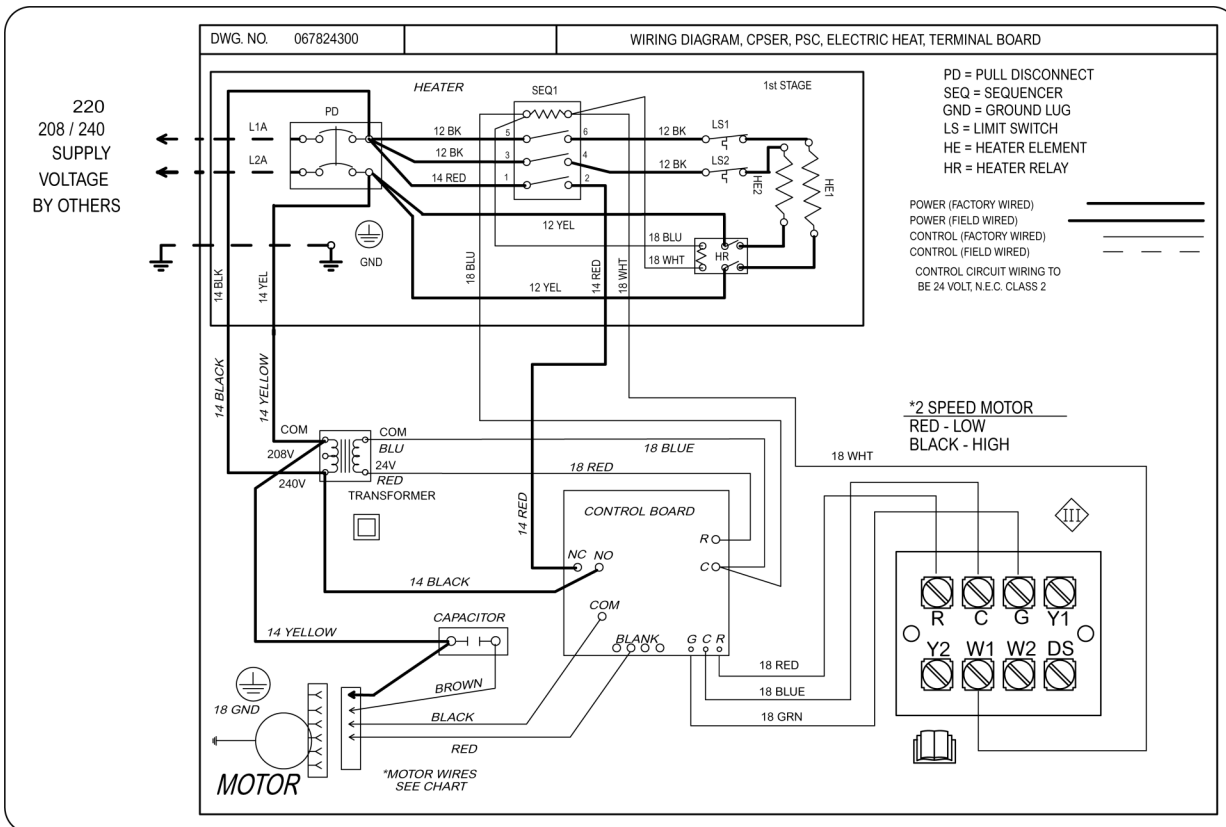


# WIRING DIAGRAM

Part Number: 67811300 | WIRING DIAGRAM, PSC, NO ELECTRIC HEAT

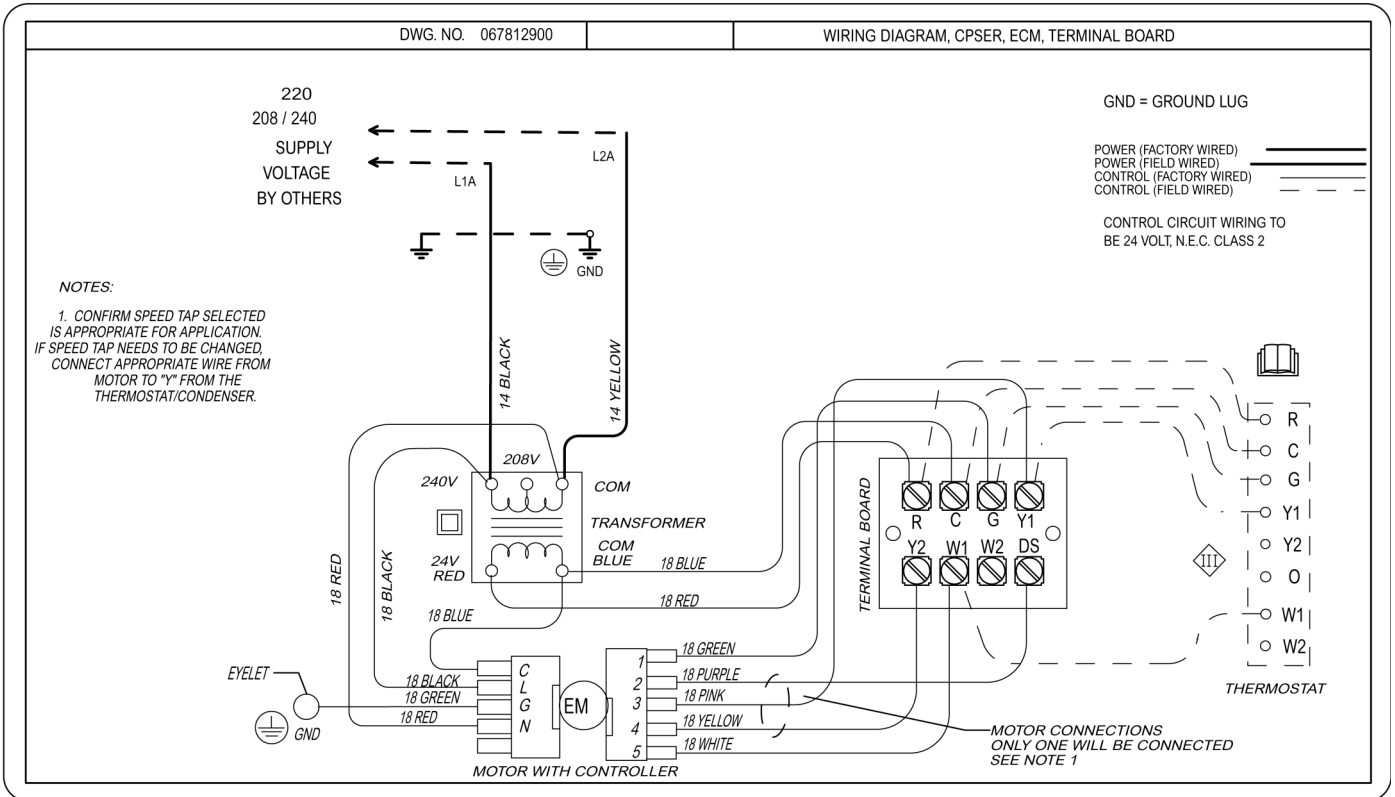


Part Number: 67824300 | WIRING DIAGRAM, PSC, ELECTRIC HEAT

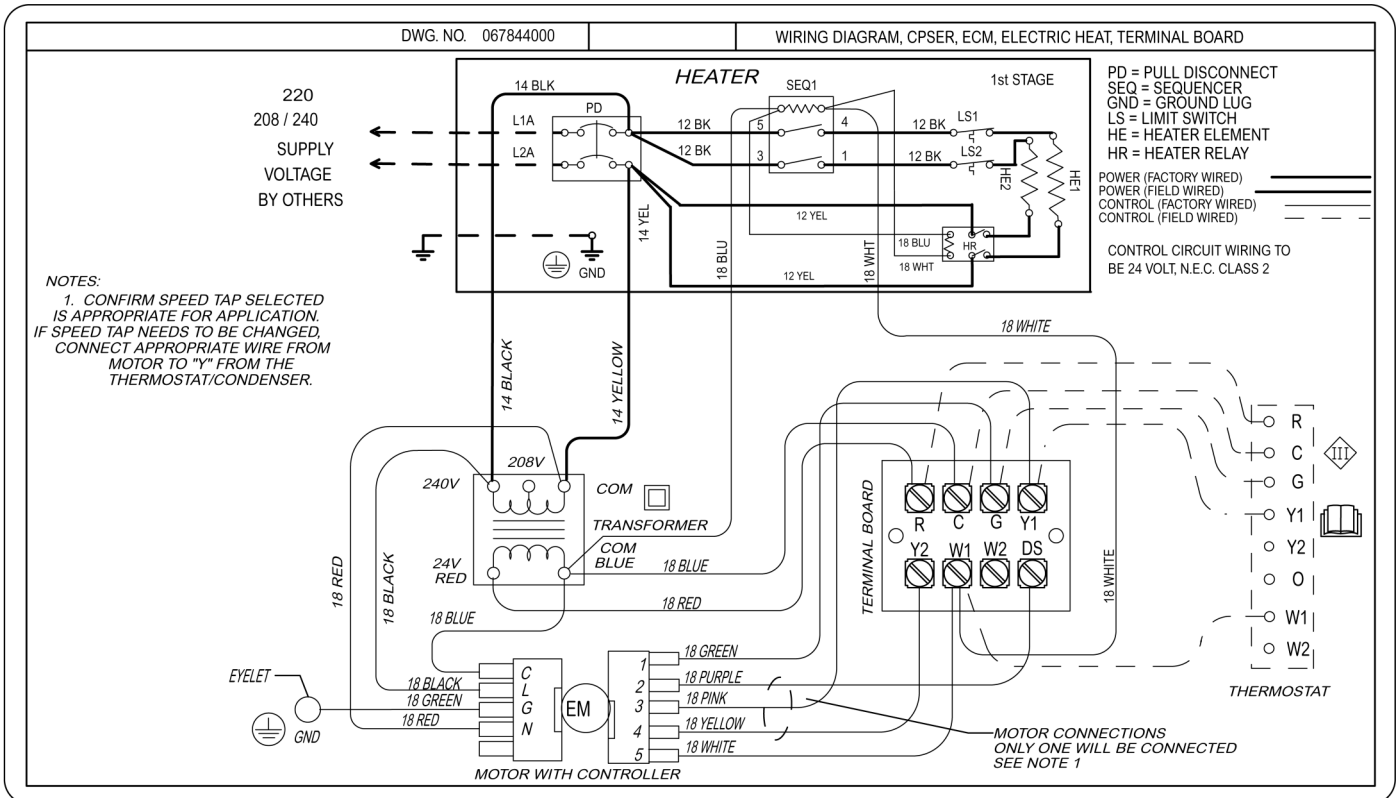


# WIRING DIAGRAM

Part Number: 67812900 | WIRING DIAGRAM, ECM, NO ELECTRIC HEAT

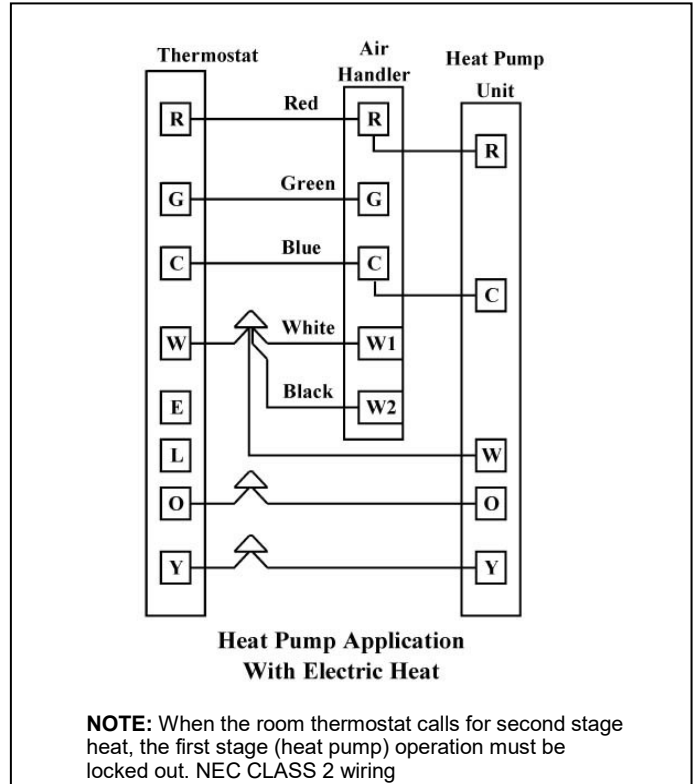
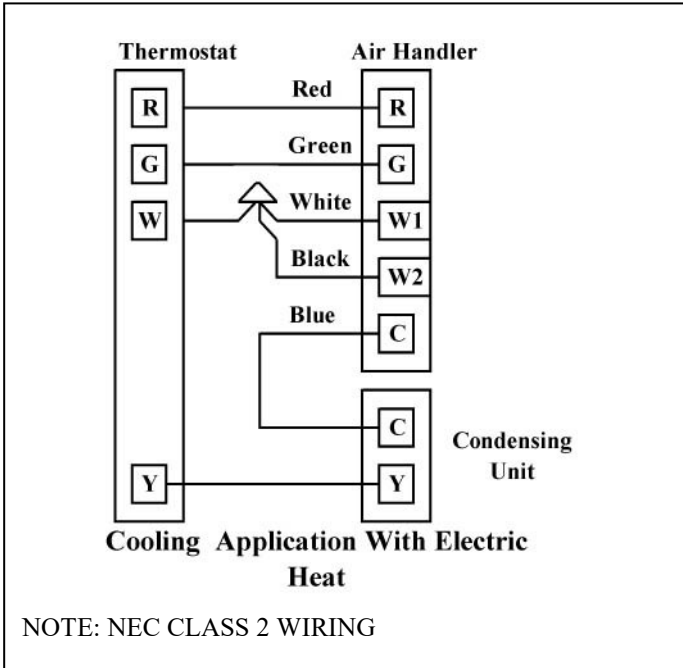


Part Number: 67844000 | WIRING DIAGRAM, ECM, ELECTRIC HEAT



# LOW VOLTAGE THERMOSTAT CONNECTIONS

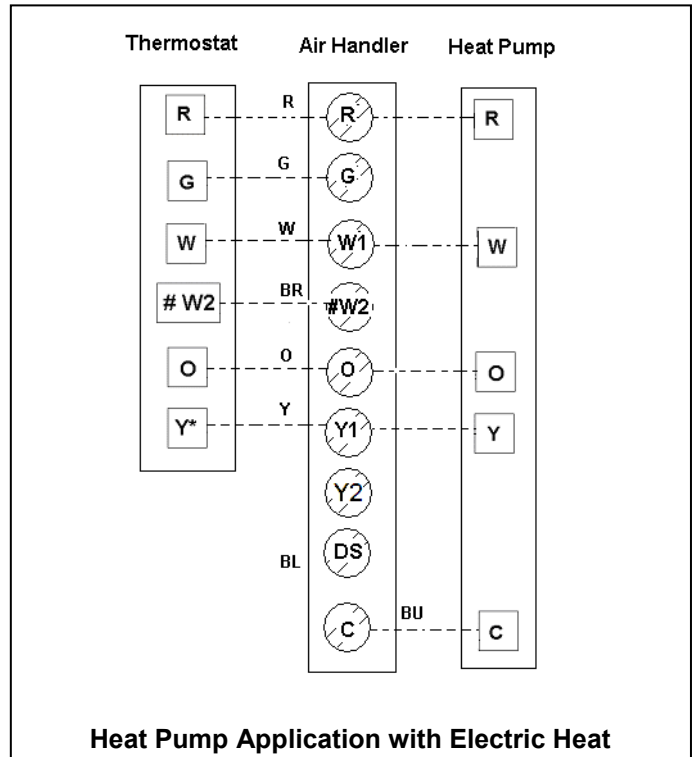
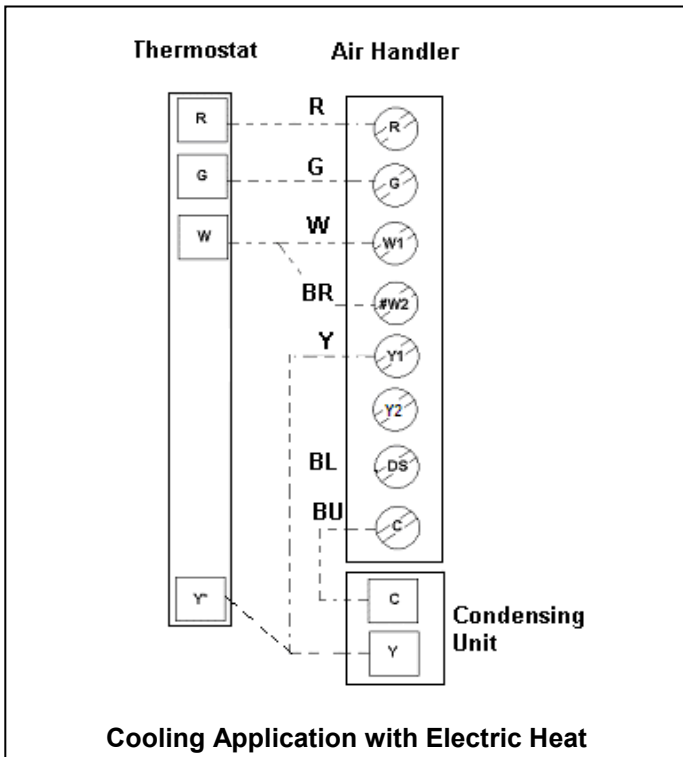
## Thermostat Connections: 2-speed Motor



## Low Voltage Thermostat Connections – 5-speed ECM Constant Torque Motor

For 2 stage outdoor units:

- Use the airflow chart to identify the desired CFM for 1st and 2nd stage operation.
- For 1st stage, connect Y1 from the thermostat to the desired Tap on the terminal board.
- For 2nd stage, connect Y2 from the thermostat to the desired Tap on the terminal board.
- NEC CLASS 2 wiring



# ELECTRICAL DATA

## 2-speed PSC Motor

Unit Size (All have electric heat)	Heating Capacity		Blower Current (A)		Total Current (A)		Minimum Circuit Ampacity (A)		Maximum Circuit Breaker Size Per Stage (A)	
	kW	BTUH								
	240 V <sup>[1]</sup>	240 V <sup>[1]</sup>	208 V	240 V	208 V	240 V	208 V	240 V	208 V	240 V
18, 19	0	0	1.25	1.25	1.25	1.25	1.6	1.6	15	15
	3	10,236	1.25	1.25	12.1	13.8	15.1	17.2	20	20
	5	17,061	1.25	1.25	19.3	22.1	24.1	27.6	25	30
	6	20,473	1.25	1.25	22.9	26.3	28.6	32.8	30	35
	8	27,297	1.25	1.25	30.1	34.6	37.7	43.2	40	45
23, 24, 25, 29, 30	0	0	1.9	1.9	1.9	1.9	2.4	2.4	15	15
	3 <sup>[2]</sup>	10,236	1.9	1.9	12.7	14.4	15.9	18.0	20	20
	5	17,061	1.9	1.9	20.0	22.7	24.9	28.4	25	30
	6	20,473	1.9	1.9	23.6	26.9	29.5	33.6	30	35
	8	27,297	1.9	1.9	30.8	35.2	38.5	44.0	40	45
	10 <sup>[3]</sup>	34,121	1.9	1.9	38.0	43.6	47.5	54.5	50	60

[1] For 208 Volts use .751 correction factor for kW & MBTUH.

[2] 3 kW is not available in 25, 30 model

[3] 10 kW is not available in 23 model

## ECM Constant Torque Motor

Unit Size (All have electric heat)	Heating Capacity		Blower Current (A)		Total Current (A)		Minimum Circuit Ampacity (A)		Maximum Circuit Breaker Size Per Stage (A)	
	kW	BTUH								
	240 V <sup>[1]</sup>	240 V <sup>[1]</sup>	208 V	240 V	208 V	240 V	208 V	240 V	208 V	240 V
18, 19, 23, 24, 25, 29, 30	0	0	2.0	2.0	2.0	2.0	2.5	2.5	15	15
	3 <sup>[2]</sup>	10,236	2.0	2.0	12.8	14.5	16.0	18.1	20	20
	5	17,061	2.0	2.0	20.1	22.8	25.1	28.5	30	30
	6	20,473	2.0	2.0	23.7	27.0	29.6	33.8	30	35
	8	27,297	2.0	2.0	30.9	35.3	38.6	44.2	40	45
	10 <sup>[3]</sup>	34,121	2.0	2.0	38.1	43.7	47.6	54.6	50	60

[1] For 208 Volts use .751 correction factor for kW & MBTUH.

[2] 3 kW is not available in 25, 30 model

[3] 10 kW is not available in 18, 23 model

# BLOWER PERFORMANCE DATA

## 2-speed PSC Motor:

- All data is given while air handler is operating with a dry coil and without air filter installed.
- Speeds marked ***\*bold with asterisk*** are the factory speed settings for both heating and cooling.
- Heating speeds should not be reduced below factory setting.

Unit Size	Blower Speed Setting	Airflow (CFM) vs. External Static Pressure (inches W.C.) ***				
		0.1	0.2	0.3	0.4	0.5
18	Low - Red	610	536	468	392	316
	<b>* ^ High -Black</b>	680	607	532	456	368
23	Low - Red	846	777	702	627	546
	<b>* ^ High -Black</b>	902	830	755	667	589
19, 24, 29	Low - Red	833	781	725	658	580
	<b>* ^ High -Black</b>	1039	976	903	825	728
25, 30	Low - Red	839	771	706	644	553
	<b>* ^ High -Black</b>	1050	975	901	820	744

\* Factory setting for cooling.

^ Factory setting for heating.

\*\*\* All airflow data is with a dry coil & electric heat.

## ECM Constant Torque Motor:

- All data is given while air handler is operating with a dry coil and without air filter installed.
- For cooling select the tap that corresponds with the desired CFM
- Heating speeds should not be reduced below factory setting.

Unit Size	Blower Speed Setting	Airflow (CFM) vs. External Static Pressure (inches W.C.) ***				
		0.1	0.2	0.3	0.4	0.5
18, 23	Tap 1 (G)	604	514	453	437	301
	Tap 2 (DS)	604	514	453	437	301
	Tap 3 (Y1)	735	651	577	506	444
	Tap 4 (Y2)	890	826	764	700	605
	^ Tap 5 (W1)	890	826	764	700	605
19, 24, 29	Tap 1 (G)	618	547	464	344	270
	Tap 2 (DS)	617	547	469	351	273
	Tap 3 (Y1)	779	720	633	549	441
	Tap 4 (Y2)	940	876	812	750	675
	^ Tap 5 (W1)	937	875	812	750	674
25, 30	Tap 1 (G)	630	557	485	380	277
	Tap 2 (DS)	630	556	483	378	277
	Tap 3 (Y1)	803	719	640	576	521
	Tap 4 (Y2)	981	909	833	766	705
	^ Tap 5 (W1)	984	909	837	769	709

^ Factory setting for heating.

\*\*\* All airflow data is with a dry coil & electric heat.

# RECEIVING

Check equipment for shipping damage. If you find any damage, immediately contact the last carrier.

Check the unit rating plate for unit size, electric heat, coil, voltage, phase etc. to be sure unit matches requirements.

# TOOLS AND PARTS NEEDED

Assemble the required tools and parts before starting installation. Read and follow the instructions provided with any tools listed here:

- 1/4" Nut Driver
- Level
- Screw Driver
- Adjustable Wrench
- Tape Measure
- Hammer
- Sealant
- UL Listed Wire Nuts

# INSTALLATION

Install the conditioned air plenum, ducts and air filters (not provided) in accordance with NFPA 90B Standard for the Installation of Warm Air Heating and Air-Conditioning Systems (latest edition).

It is the installers responsibility to make sure the strength of the ceiling and beams are adequate to support the weight of the air handler. See the below table for individual weights per model.

Model	Weight (lb.)
CP18, 23	60
CE18, 23	63
CP19, 24, 29	65
CE19, 24, 29	68
CP25, 30	70
CE25, 30	73

The soffit mount air handler is intended to be mounted in a horizontal position above a dropped ceiling of adequate strength. The air handler must always be installed in a casing. Figure 3 illustrates the cased air handler. For uncased installation refer to figures 1 & 2.. Properly attach unit with lag bolts and washers through the provided top plate slots.

Prior to installation, the installer must also consider air duct/drain connections, power supply wiring, and proper access for servicing and inspection.

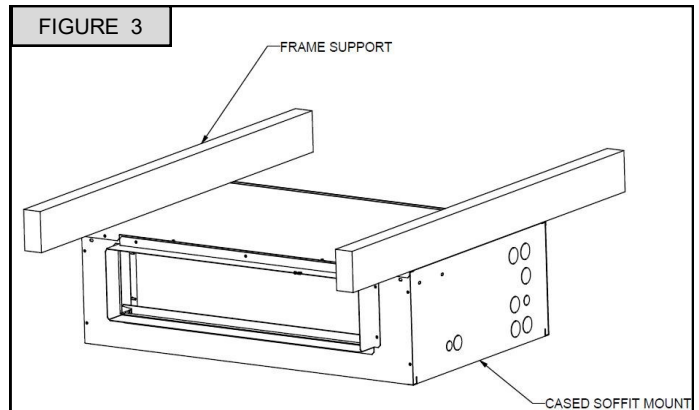
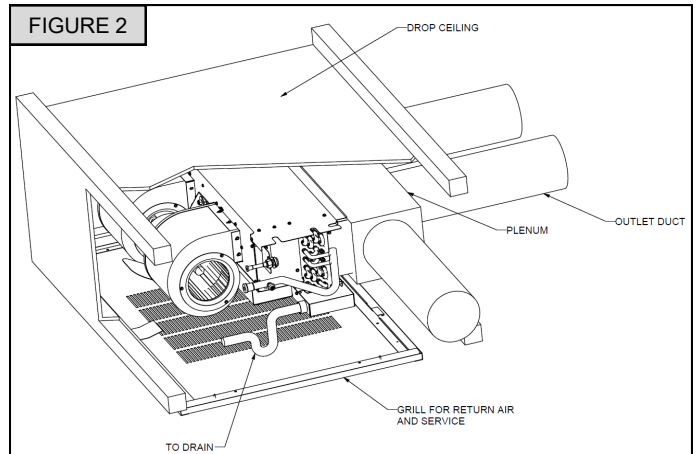
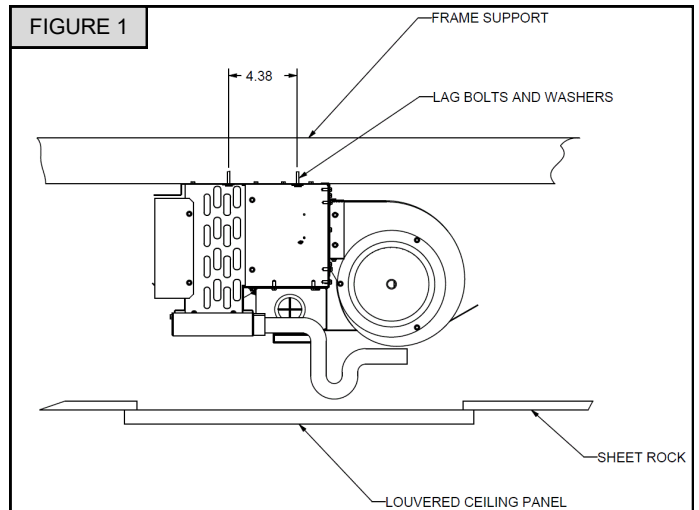
For free return (non-ducted return air) installation: To ensure that return air is being pulled from the conditioned space only, the furred down area must be completely sealed (with exception of return air grille).

Grill for return air & service must be fastened to the casing of the air handler with a self tapping screw, if the air handler is installed at a height less than 8.2 feet (2.5 m) from the ground.

### Replacement Orifice (if needed; see "Metering Device" )

Check local codes, check existing electrical supply, and read "Ductwork Requirements," and "Electrical Requirements," before purchasing parts.

The correct orifice size may be contained in the replacement orifice package located inside the control box of the outdoor unit. If this package does not contain the correct orifice for your air handler, you must purchase the correct orifice size.





# DUCTWORK

Ductwork should be fabricated and installed in accordance with local and/or national codes. This includes the standards of the National Fire Protection Association for installation of Air-Conditioning and Ventilating Systems, NFPA No. 90B .

The air handler is to be placed as close to the space to be air conditioned as possible. Ductwork should be run as directly as possible to the return and supply outlets.

Use of nonflammable weatherproof flexible connectors on both supply and return connections at unit to reduce noise transmission is recommended.

## INSTALL CONDENSATE DRAIN

Determine the drain connections to be used and note the difference between the primary and secondary openings. Remove plugs from selected drain openings. It is recommended that 3/4" male pipe thread PVC fittings be used at the condensate pan. **Hand tighten only!** ADP recommends thread sealant to be used on the PVC connector at the drain pan connection.

Tubing for all condensate drains should be a minimum of 7/8" OD. The drain should be pitched downward 1" per 10'. Install a trap as close to the coil as possible (2" minimum). Refer to figure 3.

Route drain line so that it does not interfere with accessibility to the coil, air handling system or filter and will not be exposed to freezing temperatures.

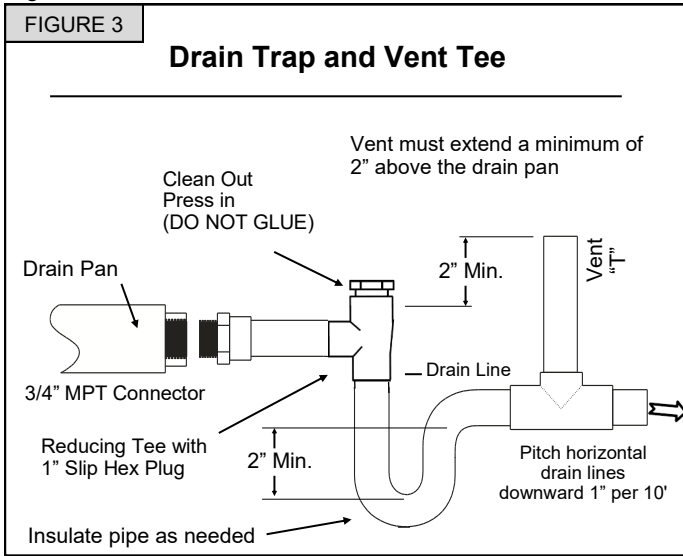
If line makes a second trap, or has an extended run before termination, a vent tee should be installed after the trap closest to the pan. Connect the primary drain and route to an open drain, sump, or sewer line.

### CAUTION

If the coil is located in or above a living space where damage may result from condensate overflow, a separate 3/4" drain must be provided from the secondary drain connection (**or a Float Switch can be used - refer to kit instructions for installation procedures**). Run this drain to a place in compliance with local installation codes where it will be noticed when unit is operational. Condensate flowing from the secondary drain indicates a plugged primary drain.

Prime the trap with water. Test line for leaks. Verify water flow with unit in operation.

Do not allow the drain pan coupling to support the weight of the drain line. Secure the drain line with a strap or other equivalent method to ensure the line is perpendicular to the face of the drain pan.



## REFRIGERANT PIPING

Refrigerant connections are 3/8" ODF Liquid and 3/4" ODF Suction. Refer to outdoor unit manufacturer's recommendation on line sizing. During brazing of refrigerant lines place a wet rag around suction line to protect cabinet or ceiling from overheating. Maintain a minimum of 1.5" from refrigerant brazing connections and cabinet or ceiling. Refer to nomenclature to determine type of flow control installed and needed for your application. Evaporator coils are shipped from the factory with flurator pistons or TXV assemblies. Flurator pistons and TXV kits are available for field conversion.

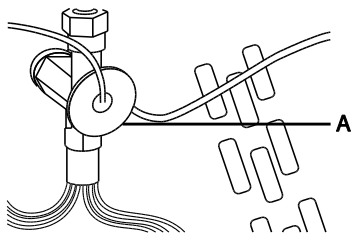
## METERING DEVICE

### Thermal Expansion Valve (TXV)

**Factory Installed Expansion Valves:** Sensing bulbs are factory installed and clamped to the suction line. For optimum performance, reattach and insulate the bulb at a 10 or 2 o'clock position outside of the cabinet to the main suction line no more than one foot from the suction line connection. If necessary, the bulb can be installed on a vertical suction line. In this instance, the bulb must be placed before any trap, with the bulb's capillary tube facing upward.

FIGURE 8

#### Thermal Expansion Valve (Letter A)



**NOTE:** Some models are equipped with thermo expansion valve and do not require any orifice change.

### Pistons

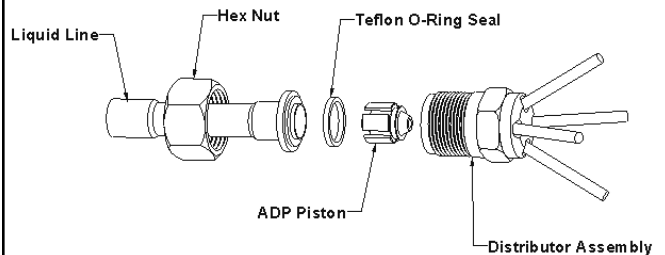
**IMPORTANT:** For optimum performance, the piston should be sized to match the recommendation from the outdoor unit manufacturer. Consult the outdoor unit information to determine whether the indoor unit has the correct orifice size.

When changing pistons, use the following procedure:

1. Loosen the hex nut located on liquid line and separate from distributor assembly.
2. Remove the existing piston from inside the distributor assembly.
3. Insert the desired piston into the distributor assembly.
4. Inspect Teflon O-Ring and replace if damaged. Ensure Teflon O-Ring is in place.
5. Re-install hex nut to body and torque to 10 ft-lbs.

FIGURE 9

#### Side View of Piston Orifice



## REFRIGERANT LINE INSTALLATION

Refrigerant lines must be connected by a licensed, EPA certified refrigerant technician in accordance with established procedures.

### IMPORTANT:

- Connecting refrigerant lines must be clean, dehydrated, refrigerant-grade copper lines. Air handler coils should be installed only with specified line sizes for approved system combinations.
  - Use care with the refrigerant lines during the installation process. Sharp bends or possible kinking in the lines will cause a restriction.
  - Do not remove the caps from the lines or system connection points until connections are ready to be completed.
1. Route the suction and liquid lines from the fittings on the indoor coil to the fittings on the outdoor unit. Run the lines in a direct path, avoiding unnecessary turns and bends.
  2. Ensure that the suction line is insulated over the entire exposed length and that both suction and liquid lines are not in direct contact with floors, walls, ductwork, floor joists, or other piping.
  3. Connect the suction and liquid line to the evaporator coil.

4. To avoid damaging the rubber grommets in the cabinet while brazing, slide the rubber grommets over the refrigerant lines until they are away from the heat source.
5. Braze with an alloy of silver or copper and phosphorus with a melting point above 1,100°F. **NOTE:** Do not use soft solder.
6. Reinstall the rubber grommets after brazing is finished.
7. Make sure the outdoor air conditioning unit has been put in place according to the Installation Instructions and is connected to the refrigerant lines.

ADP recommends installing a filter drier and sight glass in the liquid line. While brazing, purge the system with Nitrogen to prevent contamination. ADP recommends reattaching and insulating the TXV sensing bulb at a 10 to 2 o'clock position on the suction line, outside the coil housing, no more than one foot from the connection. Evacuate the system to 500 microns to ensure proper air and moisture removal (**Note: Deep evacuation or triple evacuation method recommended**). Open the suction service valve slowly and allow the refrigerant to bleed into the system before opening the liquid service valve.

## REFRIGERANT CHARGING INSTRUCTIONS

When charging in cooling mode, the outdoor temperature should be 60°F or higher. To allow the pressures to stabilize, operate the system a minimum of 15 minutes between adjustments. When adjusting charge to systems with micro-channel outdoor coils, make small (1 ounce or less) adjustments as these systems are very sensitive to refrigerant charge.

**TXV Charging**<sup>2, 3, 4</sup> – Use the charging method recommended by the outdoor unit instructions. Alternatively, ADP recommends charging to 12°F sub-cooling for AC units and 10°F sub-cooling for heat pump units. In addition, if equipped with an adjustable valve, adjust to 10°F superheat.

**Fixed Orifice Charging**<sup>2, 3, 4</sup> – Use the superheat recommended by the outdoor unit instructions. Alternatively, ADP recommends charging to the superheat table below.

Outdoor Air Temp. (°F)	60	65	70	75	80	85	90	95	100	105	110	115
Superheat (°F)	31	28	25	22	20	16	13	10	8	6	5	5

For heat pump units initially charged in the cooling mode, final adjustments to charge in the heating mode are acceptable if necessary. Some heat pump units require charging in the heating mode. In this case, refer to the outdoor instructions for recommended charging procedures.

If the system is undercharged after the initial charge, add refrigerant until the sight glass is clear and recommended pressures, temperatures, sub-cooling and superheat can be obtained. If the system is overcharged after the initial charge, recover refrigerant until recommended pressures, temperatures, sub-cooling and superheat can be obtained.





### Notes:

1. If any problems or questions regarding charge occur, contact customer service.
2. OEM charging methods vary depending on design and application. Verify all recommended pressures, temperatures, sub-cooling and superheat settings result in the proper charge.
3. ADP coils may require charge compensation due to size variation versus the OEM coil.
4. Temperatures are  $\pm 2^\circ\text{F}$  unless otherwise recommended.

## FILTERS

Filters are not provided with unit, and must be supplied and installed in the return air system by the installer. A field installed filter grille is recommended for easy and convenient access to the filters for periodic inspection and cleaning. Filters must have adequate face area for the rated air quantity of the unit.


## ELECTRICAL REQUIREMENTS




 <b>WARNING</b> 	
 <b>Electrical Shock Hazard</b>	
<b>Electrically ground electric heater.</b>	
<b>Connect ground wire to ground terminal marked</b> 	
<b>Use copper wire rated for supply connection.</b>	
<b>Correct wire gauge is shown in the chart below.</b>	
<b>Failure to follow these instructions can result in death or electrical shock.</b>	

**NOTE:** Use copper conductors only

- All field wiring must be done in accordance with National Electrical Code, applicable requirements of UL and local codes, where applicable.
- Electrical wiring, disconnect means and over-current protection are to be supplied by the installer. Refer to the air handler rating plate for maximum over-current protection, minimum circuit Ampacity, as well as operating voltage.
- The power supply must be sized and protected according to the specifications supplied on the product.
- This air handler is factory configured for 240 Volt, single phase, 60 cycles. For 208 Volt applications, see “208 Volt Conversion” in the “Make Electrical Connections” section.
- For optional electric heater applications refer to the instructions provided with the accessory for proper installation.

## ELECTRICAL CONNECTIONS

1. Models with electric heat: Determine the number of circuits needed to supply the heater with electrical power. See the air handler Accessory Kit label for number of circuits and ratings.
2. Disconnect all power supplies.
3. Remove the control panel.
4. Using the pre-punched wiring holes, install UL listed wires and fittings.
5. Connect appropriate size wire to the pull disconnect terminals.
6. Connect green ground wire(s) (1 or 2) to the ground terminal(s) (1 or 2) marked 
7. Install conduit-opening plugs in any unused openings.
8. Reinstall the air handler control panel.
9. Reconnect power.
10. Dispose of all remaining parts.

 <b>WARNING</b> 	
 <b>Electrical Shock Hazard</b>	
<b>Disconnect all power supplies before servicing.</b>	
<b>Replace all parts and panels before operating.</b>	
<b>Failure to do so can result in death or electrical shock.</b>	

# AIR HANDLER CHECKS

---

## Check Blower Operation

---

1. Set thermostat to FAN ON.
2. The indoor blower should come on.

---

## Check Electric Heater (if used)

---

1. Set thermostat to call for auxiliary heat (approximately 5°F above ambient temperature). The indoor blower and auxiliary heat should come on together. Allow a minimum of three minutes for all sequencers to cycle on.
2. Set the thermostat so it does not call for heat. Allow up to five minutes for all sequencers to cycle off.

---

## Check Airflow

---

### Cooling Blower Speed:

- For proper cooling operation, the airflow through the indoor coil should be between 350 and 450 CFM per ton of cooling capacity (350 - 450 CFM per 12,000 BTU/HR) based on the rating of the outdoor unit.
- The cooling blower speed is factory configured to provide correct airflow for an outdoor unit that matches the maximum cooling capacity rating of the air handler.
- If the outdoor unit is smaller than the maximum cooling capacity rating for the air handler, the cooling blower speed may need to be changed. Refer to "Blower Performance Data."

**IMPORTANT:** The cooling blower speed must be set to provide a minimum of 350 CFM airflow per ton (12,000 BTU/HR) of outdoor cooling capacity.

	<b>WARNING</b>	
		
<b>Electrical Shock Hazard</b>		
<b>Disconnect all power supplies before servicing.</b>		
<b>Replace all parts and panels before operating.</b>		
<b>Failure to do so can result in death or electrical shock.</b>		

## **AIR HANDLER MAINTENANCE**

---

At the beginning of each heating season the unit should be serviced by a qualified installer or servicing agency.

## **ASSISTANCE OR SERVICE**

---

If you need further assistance, you may contact us at the address below with any questions or concerns. Please include a daytime phone number in your correspondence.

Advanced Distributor Products  
1995 Air Industrial Park Road  
Grenada, MS 38901  
[www.adpnow.com](http://www.adpnow.com)

# ADP AIR HANDLER LIMITED WARRANTY

---

## Term of Warranty

---

Advanced Distributor Products (ADP) warrants that products sold shall be of merchantable quality, free of defects in material and workmanship, under normal use and service, for a period of five (5) years from the date of installation, **not** to exceed six (6) years from the date of manufacture subject to the terms of ADP's limited warranty.

For information on this product's warranty, including accessing complete warranty terms, registering for an extended warranty\* or instructions on filing a warranty claim, please go to [www.ADPwarranty.com](http://www.ADPwarranty.com).

*\* In such states or provinces where registration requirements are prohibited, failure to complete registration by the consumer does not diminish his or her warranty rights.*

## Equipment Information

---

Please *complete information below and retain this warranty for records and future reference.*

Unit Model Number: \_\_\_\_\_

Serial Number: \_\_\_\_\_

Installing Contractor: \_\_\_\_\_

Installation Date: \_\_\_\_\_

Phone: \_\_\_\_\_





---

2140 Lake Park Blvd, Richardson, TX 75080  
[www.adpnow.com](http://www.adpnow.com)





## Instructions d'installation

# Fixation Soffit

## Ventilo-convecteurs compacts montés au plafond

Électricité ou pas de chauffage, avec moteur ECM à 5 vitesses haute efficacité disponible

TABLE DES MATIÈRES	PAGE	PAGE	
Sécurité du ventilo-convecteur.....	1	Conduite de réfrigérant.....	10
Généralités.....	2	Dispositif de mesure.....	10
Exigences du Système Extérieur.....	2	Installation de la conduite de réfrigérant.....	11
Schéma de câblage.....	3	Instructions de chargement du réfrigérant.....	11
Connexions du thermostat.....	5	Filtres.....	12
Données électriques.....	6	Exigences électriques.....	12
Rendement du ventilateur.....	7	Raccordements électriques.....	12
Réception.....	8	Vérifications du ventilo-convecteur.....	13
Outils et pièces nécessaires.....	8	Entretien du ventilo-convecteur.....	14
Installation.....	8	Assistance ou service.....	14
Conduits.....	9	Garantie.....	15
Installation du drain de condensat.....	9		

## SÉCURITÉ DU VENTILO-CONVECTEUR

### CONSIDÉRATIONS DE SÉCURITÉ

Votre sécurité et celle des autres sont très importantes.

Nous avons fourni de nombreux messages de sécurité importants dans ce manuel et sur votre appareil. Toujours lire et respecter tous les messages de sécurité.



Il s'agit du symbole d'alerte de sécurité.

Ce symbole vous avertit des dangers potentiels qui peuvent vous tuer ou vous blesser, ainsi que d'autres personnes.

Tous les messages de sécurité suivent le symbole d'alerte de sécurité et le mot de signal. Ces mots signifient ce qui suit :

**DANGER:** Vous pouvez **être tué ou gravement blessé** si vous ne suivez pas immédiatement les instructions.

**AVERTISSEMENT:** Indiquer une situation potentiellement dangereuse qui, si elle n'est pas évitée, peut entraîner la **mort ou des blessures graves**.

**ATTENTION:** Indique une situation potentiellement dangereuse qui, si elle n'est pas évitée, peut entraîner des **blessures mineures ou modérées**. Des précautions peuvent également être prises pour prévenir les pratiques dangereuses.

**AVIS:** Indique une déclaration de politique de l'entreprise car le message concerne directement ou indirectement la sécurité du personnel ou la protection des biens.

**IMPORTANT:** Des informations plus détaillées concernant l'énoncé de la politique de l'entreprise car le message concerne directement ou indirectement la sécurité du personnel ou la protection des biens.

Tous les messages de sécurité vous indiqueront le danger potentiel, vous indiqueront comment réduire le risque de blessure et vous indiqueront ce qui peut se passer si les instructions ne sont pas respectées.



### ATTENTION



Cet appareil n'est pas conçu pour être utilisé par des personnes (y compris des enfants) ayant des capacités physiques, sensorielles ou mentales réduites, ou un manque d'expérience et de connaissances, sauf si elles ont été surveillées ou que des instructions ont été données concernant l'utilisation de l'appareil par une personne responsable de leur sécurité. Les enfants doivent être surveillés pour s'assurer qu'ils ne jouent pas avec l'appareil.



L'amélioration des produits est un processus continu chez Advanced Distributor Products. Par conséquent, les spécifications du produit peuvent être modifiées sans préavis et sans obligation de notre part. Veuillez contacter votre représentant ou distributeur ADP pour vérifier les détails.

© par Advanced Distributor Products. Tous droits réservés.

# SÉCURITÉ DU VENTILO-CONVECTEUR

**IMPORTANT**

Cette unité est un CLIMATISEUR À UNITÉ PARTIELLE, conforme aux exigences de la présente norme en matière d'UNITÉ PARTIELLE, et ne doit être connectée qu'à d'autres unités qui ont été confirmées comme étant conformes aux exigences correspondantes de la présente norme, UL 60335-2-40/CSA C22.2 n° 60335-2-40, ou UL 1995/CSA C22.2 n° 236.

**IMPORTANT**

La loi sur la lutte contre la pollution atmosphérique (Clean Air Act) de 1990 interdit la mise à l'air volontaire du réfrigérant (CFC et HFC). Les méthodes de récupération approuvées doivent être respectées. La non conformité entraîne l'imposition éventuelle d'amendes et/ou l'emprisonnement.

**AVIS**

L'altitude maximale de l'application est de 3 200 m au-dessus du niveau de la mer.

**IMPORTANT**

Une installation, un réglage, une modification, une maintenance et/ou un entretien incorrects peuvent entraîner des dommages matériels ou des blessures graves, voire mortelles. L'installation et l'entretien doivent être assurés par un installateur de CVCA professionnel certifié (ou l'équivalent), une société de service ou le fournisseur du gaz.

**IMPORTANT**

Cette unité est une UNITÉ PARTIELLE; elle ne doit être connectée qu'à un appareil utilisant le même réfrigérant que celui indiqué sur la plaque signalétique de cette unité.

## GÉNÉRALITÉS

Ces instructions sont données à titre indicatif uniquement et ne remplacent en aucun cas les codes nationaux ou locaux. La conformité à tous les codes locaux, provinciaux ou nationaux applicables à ce type d'équipement doit être déterminée avant l'installation.

Lire ce manuel d'instructions dans son intégralité, ainsi que les instructions fournies avec l'équipement séparé, avant de commencer l'installation.

Tous les modèles sont conçus pour utilisation à l'intérieur uniquement.

L'installation du ventilo-convecteur, du câblage sur place, des conduits d'air chaud, etc. doit être conforme aux exigences du Code national de l'électricité, ANSI/NFPA no. 70 (dernière édition) aux États-Unis, ainsi qu'aux lois d'État et ordonnances locales (y compris les codes de plomberie ou des eaux usées). Les autorités compétentes locales doivent être consultées avant l'installation. De telles réglementations ou exigences applicables prévalent sur les instructions générales de ce manuel.

Cette unité est soumise au respect des dégagements par rapport aux matières combustibles indiqués sur la plaque signalétique de l'appareil. Les dégagements d'accessibilité et d'entretien doivent avoir préséance sur les dégagements par rapport aux matières combustibles.

exigences relatives à la conduite de réfrigérant, à l'élimination du condensat, aux filtres, aux gaines, au câblage et à l'accessibilité pour l'entretien. Se référer à la plaque signalétique du ventilo-convecteur pour des informations spécifiques.

## EXIGENCES DU SYSTÈME EXTÉRIEUR

Le ventilo-convecteur est conçu pour être utilisé avec des unités extérieures homologuées AHRI. Les sections intérieures sont fabriquées avec un dispositif de mesure du réfrigérant interchangeable pour assurer un contrôle optimal du réfrigérant et


**AVERTISSEMENT**

**Choc électrique**

Déconnecter l'alimentation électrique avant de procéder à l'entretien.

Remettre toutes les pièces et panneaux en place avant de les utiliser.

Mettre le ventilo-convecteur à la terre.

Connecter le fil de terre à la borne de terre marquée 



Le non-respect de cette consigne peut entraîner la mort ou un choc électrique.

**Danger d'explosion**

Tenir les matériaux et vapeurs inflammables, comme l'essence, à l'écart de cette unité.

Placer cette unité de manière à ce que les éléments chauffants soient à au moins 18 po (457 mm) au-dessus du sol pour une isolation dans le garage.

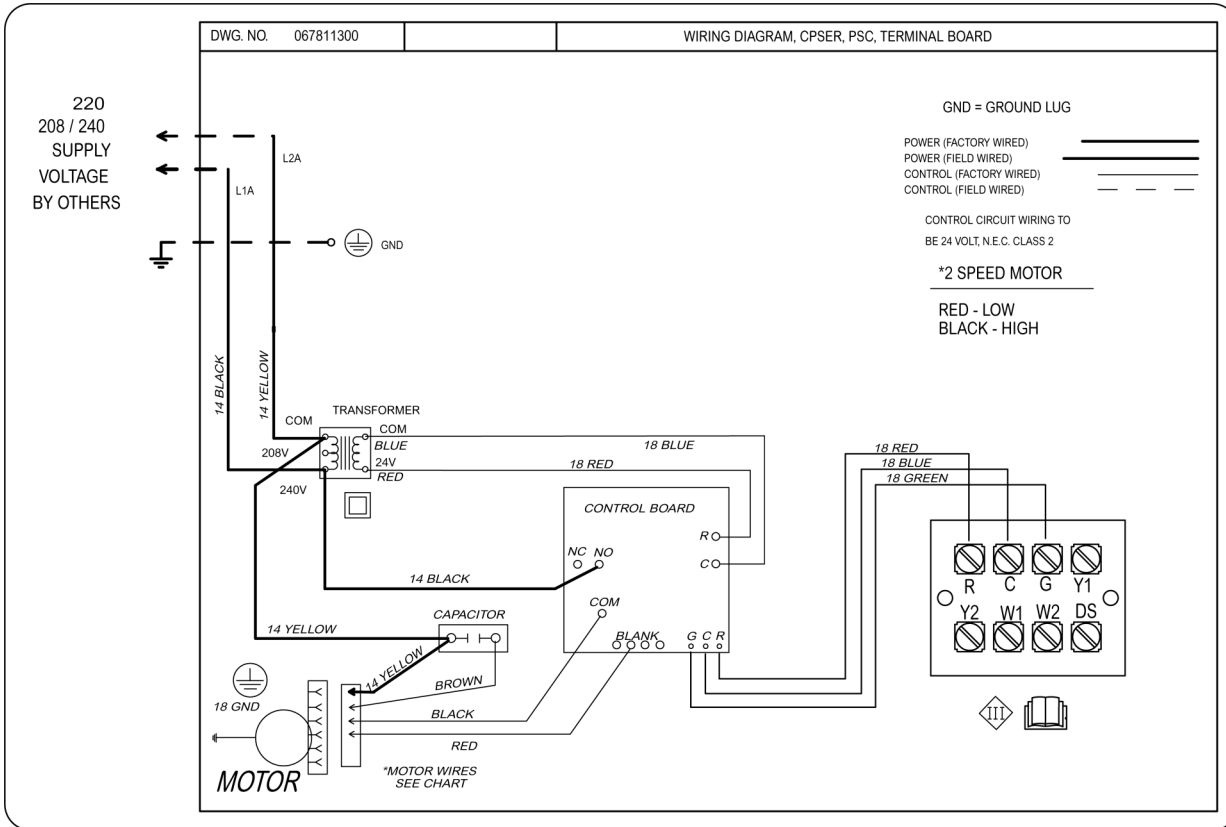
Le non-respect de ces instructions peut entraîner la mort, une explosion ou un incendie.



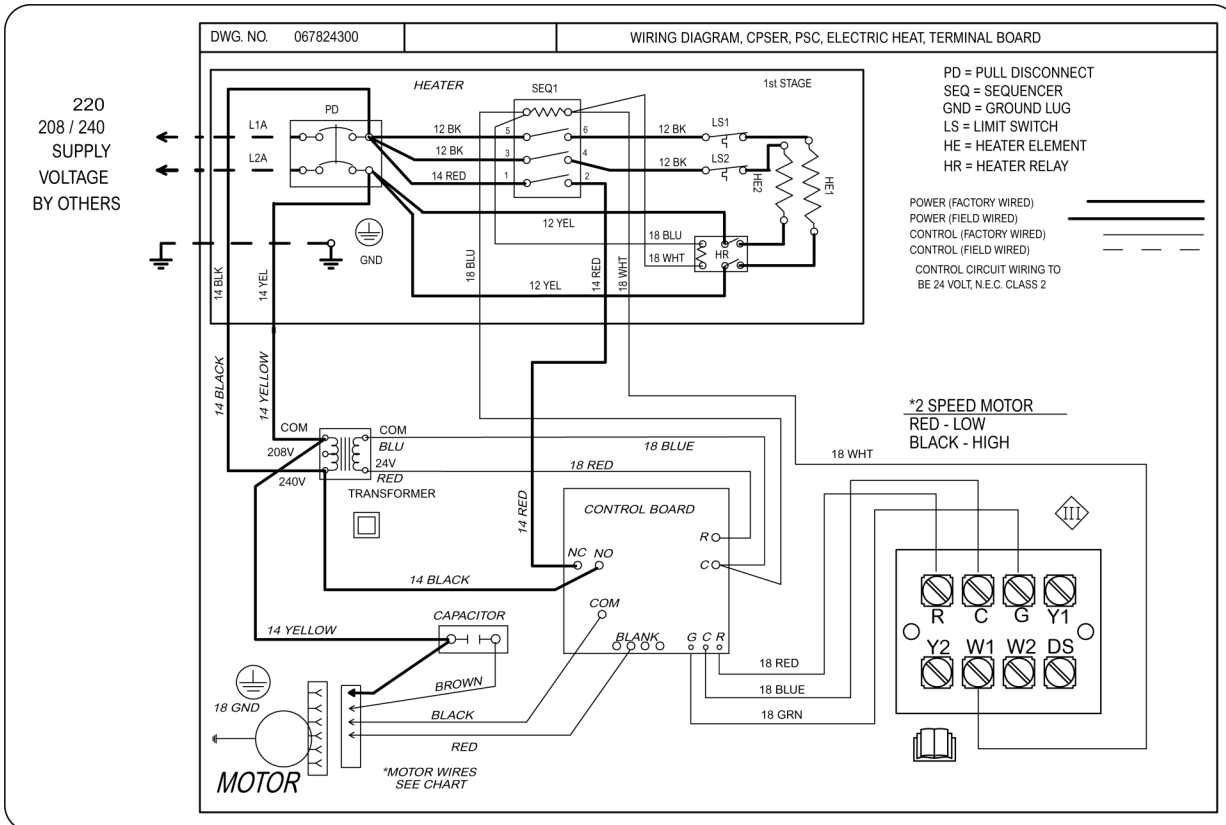
un rendement optimal du système avec différentes capacités d'unités extérieures. Dans certains cas, l'indice AHRI peut exiger que le dispositif de mesure du réfrigérant du ventilo-convecteur soit changé pour obtenir un rendement nominal.

# SCHÉMA DE CÂBLAGE

Réf. Pièce : 67811300 | SCHÉMA DE CÂBLAGE, PSC, PAS DE CHAUFFAGE ÉLECTRIQUE

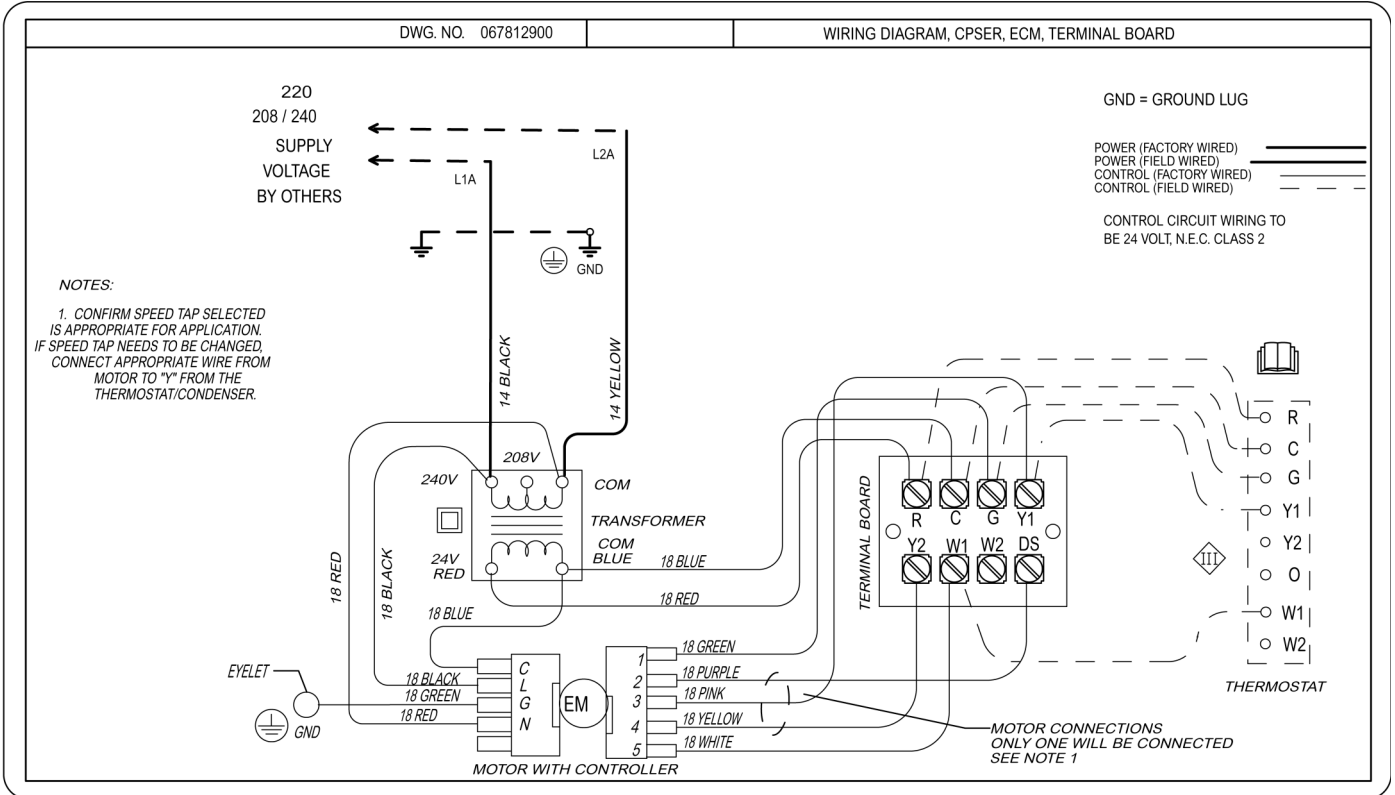


Réf. Pièce : 67824300 | SCHÉMA DE CÂBLAGE, PSC, CHAUFFAGE ÉLECTRIQUE

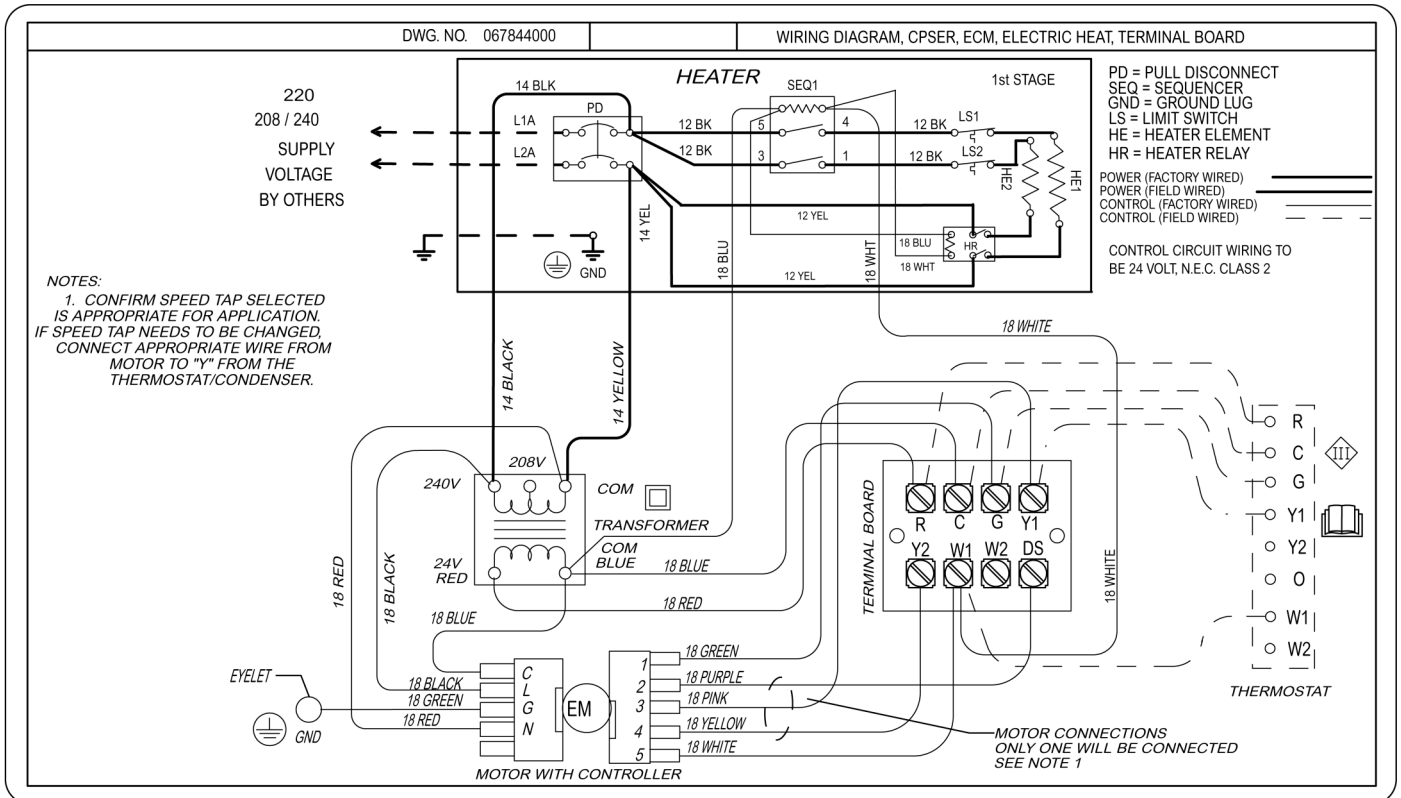


# SCHÉMA DE CÂBLAGE

Réf. Pièce : 67812900 | SCHÉMA DE CÂBLAGE, ECM, PAS DE CHAUFFAGE ÉLECTRIQUE

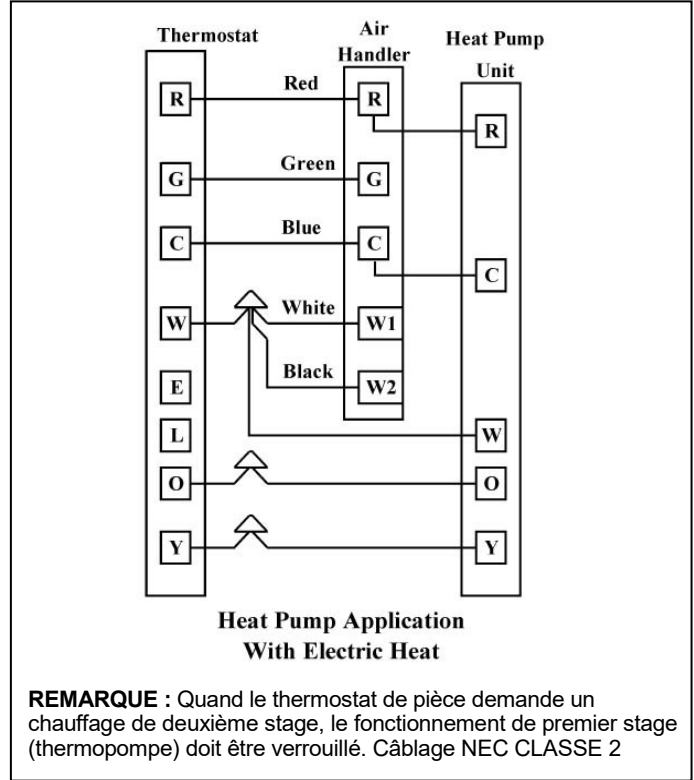
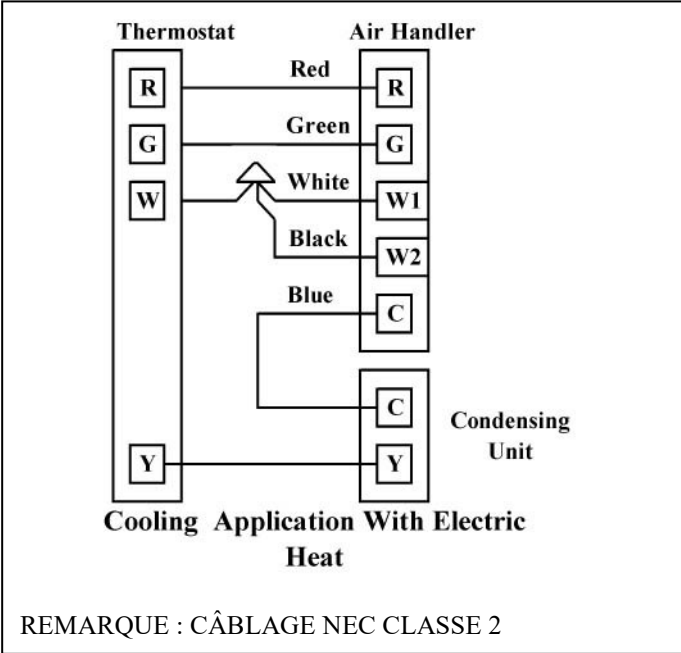


Réf. Pièce : 67824400 | SCHÉMA DE CÂBLAGE, ECM, CHAUFFAGE ÉLECTRIQUE



# CONNEXIONS DU THERMOSTAT BASSE TENSION

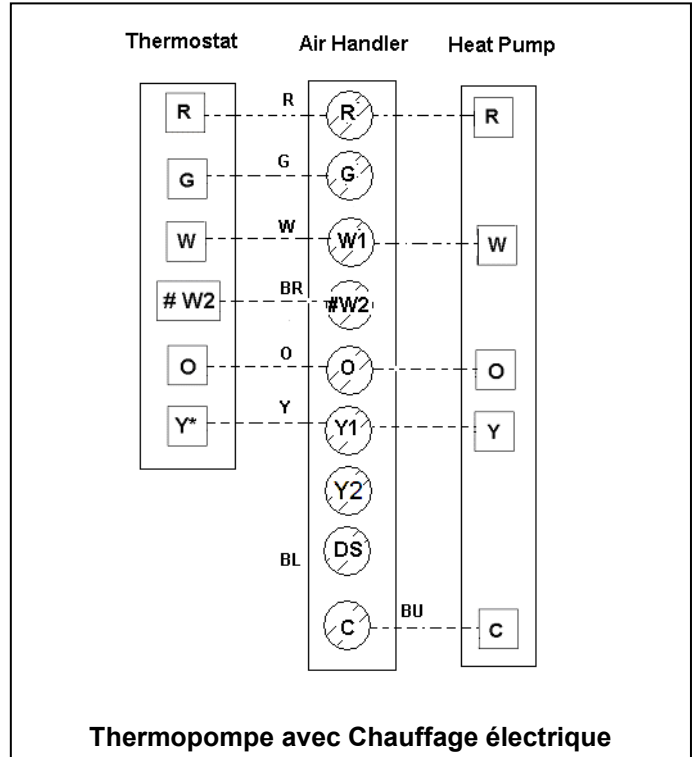
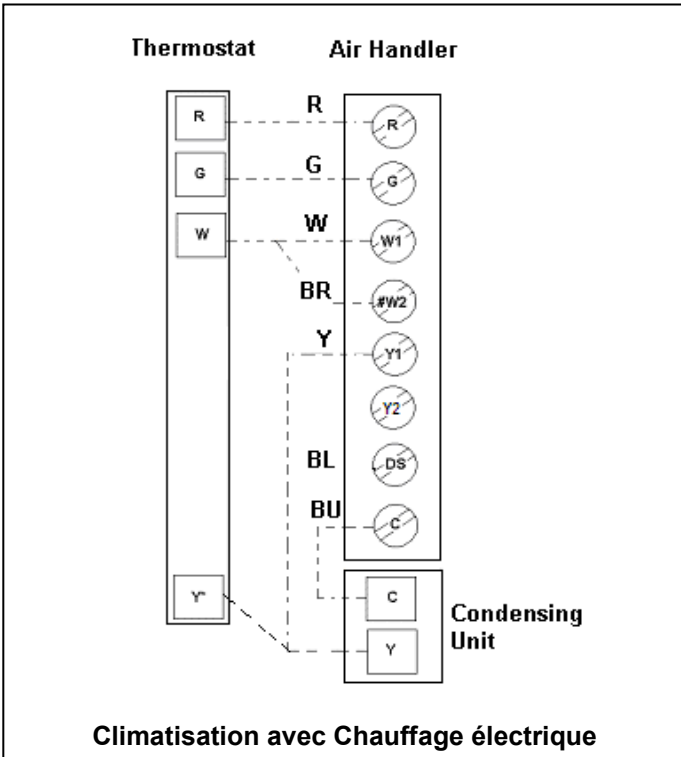
## Connexions du thermostat : moteur à 2 vitesses



## Connexions du thermostat basse tension – Moteur à couple constant ECM à 5 vitesses

Pour les unités extérieures à 2 stages :

- Utiliser le diagramme de débit d'air pour identifier le débit d'air désiré pour le fonctionnement de 1e et 2<sup>e</sup> étapes.
- Pour la 1ère étape, connecter Y1 du thermostat au robinet désiré sur le bornier.
- Pour la 2e étape, connecter Y2 du thermostat à la prise désirée du bornier.
- Câblage NEC CLASSE 2



# DONNÉES ÉLECTRIQUES

## Moteur PSC à 2 vitesses

Taille de l'unité (Tous ont un chauffage électrique)	Capacité de chauffage		Courant ventilateur (A)		Courant total (A)		Ampérage minimal du circuit (A)		Taille maximale du disjoncteur par étape (A)	
	kW	BTUH								
	240 V <sup>[1]</sup>	240 V <sup>[1]</sup>	208 V	240 V	208 V	240 V	208 V	240 V	208 V	240 V
18, 19	0	0	1,25	1,25	1,25	1,25	1,6	1,6	15	15
	3	10 236	1,25	1,25	12,1	13,8	15,1	17,2	20	20
	5	17 061	1,25	1,25	19,3	22,1	24,1	27,6	25	30
	6	20 473	1,25	1,25	22,9	26,3	28,6	32,8	30	35
	8	27 297	1,25	1,25	30,1	34,6	37,7	43,2	40	45
23, 24, 25, 29, 30	0	0	1,9	1,9	1,9	1,9	2,4	2,4	15	15
	3 <sup>[2]</sup>	10 236	1,9	1,9	12,7	14,4	15,9	18,0	20	20
	5	17 061	1,9	1,9	20,0	22,7	24,9	28,4	25	30
	6	20 473	1,9	1,9	23,6	26,9	29,5	33,6	30	35
	8	27 297	1,9	1,9	30,8	35,2	38,5	44,0	40	45
	10 <sup>[3]</sup>	34 121	1,9	1,9	38,0	43,6	47,5	54,5	50	60

[1] Pour 208 volts, utiliser un facteur de correction de 0,751 pour kW et MBTUH.

[2] 3 kW n'est pas disponible sur les modèles 25, 30

[3] 10 kW non disponible sur le modèle 23

## Moteur à couple constant ECM

Taille de l'unité (Tous ont un chauffage électrique)	Capacité de chauffage		Courant ventilateur (A)		Courant total (A)		Ampérage minimal du circuit (A)		Taille maximale du disjoncteur par étape (A)	
	kW	BTUH								
	240 V <sup>[1]</sup>	240 V <sup>[1]</sup>	208 V	240 V	208 V	240 V	208 V	240 V	208 V	240 V
18, 19, 23, 24, 25, 29, 30	0	0	2,0	2,0	2,0	2,0	2,5	2,5	15	15
	3 <sup>[2]</sup>	10 236	2,0	2,0	12,8	14,5	16,0	18,1	20	20
	5	17 061	2,0	2,0	20,1	22,8	25,1	28,5	30	30
	6	20 473	2,0	2,0	23,7	27,0	29,6	33,8	30	35
	8	27 297	2,0	2,0	30,9	35,3	38,6	44,2	40	45
	10 <sup>[3]</sup>	34 121	2,0	2,0	38,1	43,7	47,6	54,6	50	60

[1] Pour 208 volts, utiliser un facteur de correction de 0,751 pour kW et MBTUH.

[2] 3 kW n'est pas disponible sur les modèles 25, 30

[3] 10 kW n'est pas disponible sur les modèles 18, 23

# RENDEMENT DU VENTILATEUR

## Moteur PSC à 2 vitesses :

- Toutes les données sont données quand le ventilateur-convecteur fonctionne avec un serpentin sec et sans filtre à air installé.
- Les vitesses marquées *\*d'un astérisque* sont les réglages usine pour le chauffage et la climatisation.
- La vitesse de chauffage ne doit pas être inférieure au réglage usine.

Unit Size	Blower Speed Setting	Airflow (CFM) vs. External Static Pressure (inches W.C.) ***				
		0.1	0.2	0.3	0.4	0.5
18	Low - Red	610	536	468	392	316
	* ^ High -Black	680	607	532	456	368
23	Low - Red	846	777	702	627	546
	* ^ High -Black	902	830	755	667	589
19, 24, 29	Low - Red	833	781	725	658	580
	* ^ High -Black	1039	976	903	825	728
25, 30	Low - Red	839	771	706	644	553
	* ^ High -Black	1050	975	901	820	744

\* Factory setting for cooling.

^ Factory setting for heating.

\*\*\* All airflow data is with a dry coil & electric heat.

## Moteur à couple constant ECM :

- Toutes les données sont données quand le ventilateur-convecteur fonctionne avec un serpentin sec et sans filtre à air installé.
- Pour la climatisation, sélectionner le robinet correspondant au débit désiré
- La vitesse de chauffage ne doit pas être inférieure au réglage usine.

Unit Size	Blower Speed Setting	Airflow (CFM) vs. External Static Pressure (inches W.C.) ***				
		0.1	0.2	0.3	0.4	0.5
18, 23	Tap 1 (G)	604	514	453	437	301
	Tap 2 (DS)	604	514	453	437	301
	Tap 3 (Y1)	735	651	577	506	444
	Tap 4 (Y2)	890	826	764	700	605
	^ Tap 5 (W1)	890	826	764	700	605
19, 24, 29	Tap 1 (G)	618	547	464	344	270
	Tap 2 (DS)	617	547	469	351	273
	Tap 3 (Y1)	779	720	633	549	441
	Tap 4 (Y2)	940	876	812	750	675
	^ Tap 5 (W1)	937	875	812	750	674
25, 30	Tap 1 (G)	630	557	485	380	277
	Tap 2 (DS)	630	556	483	378	277
	Tap 3 (Y1)	803	719	640	576	521
	Tap 4 (Y2)	981	909	833	766	705
	^ Tap 5 (W1)	984	909	837	769	709

^ Factory setting for heating.

\*\*\* All airflow data is with a dry coil & electric heat.

# RÉCEPTION

Vérifier que l'équipement n'a pas été endommagé pendant le transport. En cas de dommage, contacter immédiatement le dernier transporteur.

Vérifier la plaque signalétique d'unité pour s'assurer que la taille, le chauffage électrique, le serpentin, la tension, la phase, etc. de l'unité correspondent aux exigences.

# OUTILS ET PIÈCES NÉCESSAIRES

Assembler les outils et les pièces nécessaires avant de commencer l'installation. Lire et suivre les instructions fournies avec tous les outils indiqués ici :

- |                        |                              |
|------------------------|------------------------------|
| Tourne-écrou de 1/4 po | Ruban de mesure              |
| Niveau                 | Marteau                      |
| Tournevis              | Selant                       |
| Clé réglable           | Écrous de fils homologués UL |

*Orifice de remplacement (si nécessaire; voir « Dispositif de mesure »)*

Vérifier les codes locaux, l'alimentation électrique existante et lire les sections « Exigences relatives aux conduites » et « Exigences électriques » avant d'acheter des pièces.

La taille correcte de l'orifice peut être contenue dans l'ensemble d'orifices de remplacement situé à l'intérieur du boîtier de contrôle de l'unité extérieure. Si cet ensemble ne contient pas l'orifice correct pour votre ventilo-convecteur, vous devez acheter l'orifice correct.

# INSTALLATION

Installer le plénum d'air conditionné, les conduits et les filtres à air (non fournis) conformément à la norme NFPA 90B relative à l'installation des systèmes de climatisation et de chauffage à air chaud (dernière édition).

Il est de la responsabilité de l'installateur de s'assurer que la force du plafond et des poutres est suffisante pour supporter le poids du ventilo-convecteur. Voir le tableau ci-dessous pour les poids individuels par modèle.

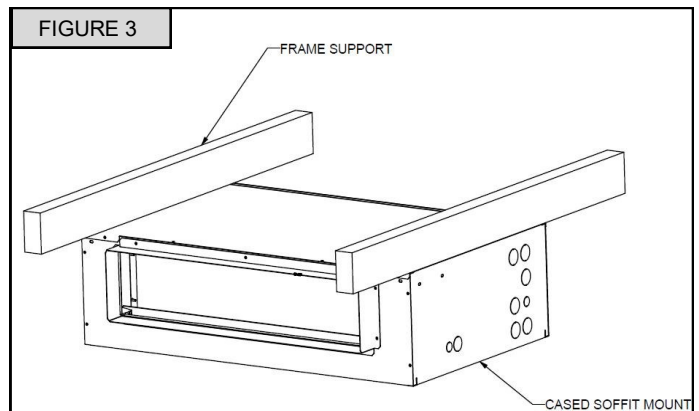
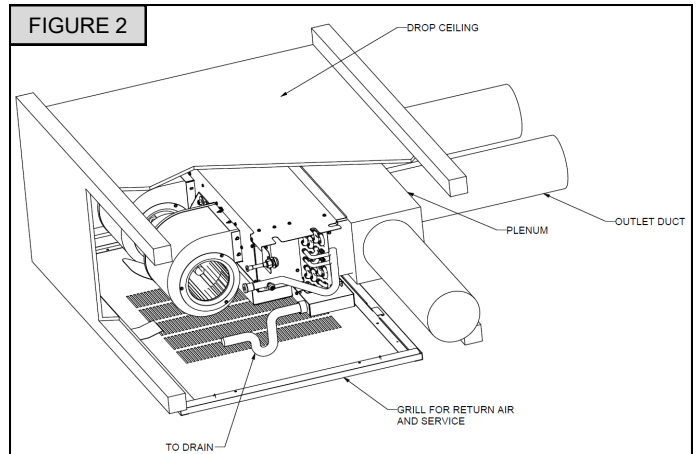
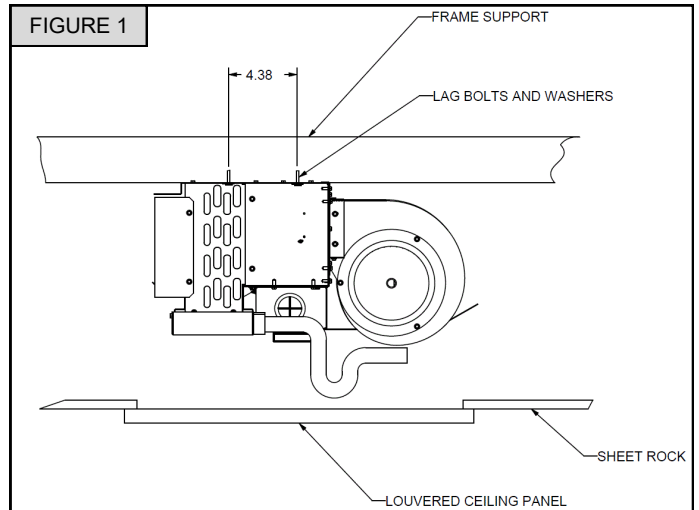
Modèle	Poids (lb)
CP18, 23	60
CE18, 23	63
CP19, 24, 29	65
CE19, 24, 29	68
CP25, 30	70
CE25, 30	73

Le ventilo-convecteur à montage en soffit est conçu pour être installé horizontalement au-dessus d'un faux plafond d'une résistance adéquate. Le ventilo-convecteur doit toujours être installé dans un boîtier. La Figure 3 illustre le ventilo-convecteur encastrable. Pour une installation sans gaine, voir les figures 1 et 2. Fixer correctement l'unité avec des tire-fond et des rondelles dans les fentes de la plaque supérieure fournies.

Avant l'installation, l'installateur doit également tenir compte des connexions des conduits d'air/évacuation, du câblage de l'alimentation électrique et de l'accès correct pour l'entretien et l'inspection.

Pour une installation avec retour gratuit (retour d'air sans conduits): Pour s'assurer que l'air de retour est extrait de l'espace climatisé uniquement, la zone pelée doit être complètement étanchéifiée (à l'exception de la grille de retour d'air).

La grille de retour d'air et d'entretien doit être fixée au boîtier du ventilo-convecteur à l'aide d'une vis autotaraudeuse si le ventilo-convecteur est installé à une hauteur inférieure à 8,2 pieds (2,5 m) du sol.





## CONDUITS

Les conduits doivent être fabriqués et installés conformément aux codes locaux et/ou nationaux. Ceci comprend les normes de la norme NFPA No. 90B de la National Fire Protection Association pour l'installation des systèmes de climatisation et de ventilation.

Le ventilateur-convecteur doit être placé aussi près que possible de l'espace à climatiser. Les gaines doivent être acheminées aussi directement que possible vers les sorties de retour et d'alimentation.

Il est recommandé d'utiliser des connecteurs flexibles ininflammables étanches sur les connexions d'alimentation et de retour de l'unité pour réduire la transmission du bruit.

## INSTALLATION DU DRAIN DE CONDENSAT

Déterminer les connexions de drainage à utiliser et noter la différence entre les ouvertures primaire et secondaire. Retirer les bouchons des ouvertures de drainage sélectionnées. Il est recommandé d'utiliser des raccords en PVC filetés mâles de  $\frac{3}{4}$  po au niveau de la cuvette de condensat. **Serrer à la main uniquement!** ADP recommande d'utiliser un agent d'étanchéité pour filetage sur le connecteur en PVC au niveau du raccord de la cuvette de drainage.

Le tuyau de tous les drains de condensat doit avoir un diamètre extérieur minimum de  $\frac{7}{8}$  po. Le drain doit être incliné vers le bas de 1 po par 10 po. Installer un purgeur aussi près que possible du serpentin (2 po minimum). Voir la Figure 3.

Acheminer la conduite de drainage de manière à ce qu'elle n'interfère pas avec l'accessibilité au serpentin, au système de traitement de l'air ou au filtre et qu'elle ne soit pas exposée au gel.

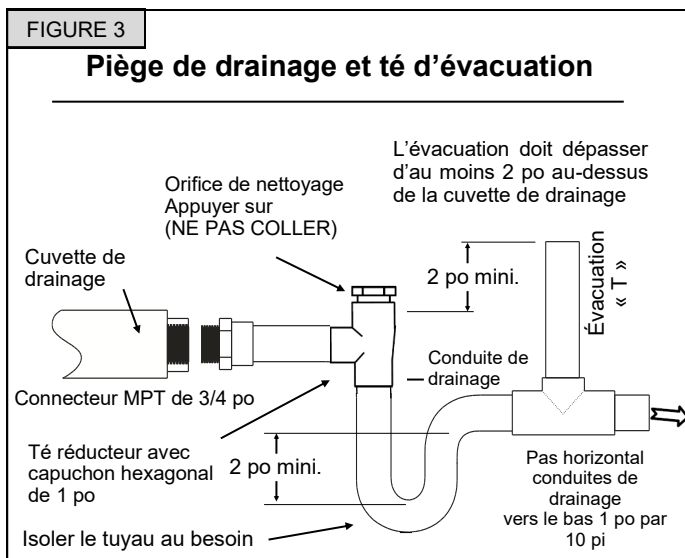
Si la conduite fait un deuxième purgeur ou a un tronçon prolongé avant la terminaison, un té d'évacuation doit être installé après le purgeur le plus proche du poêle. Connecter le drain primaire et l'acheminer vers un drain, un puisard ou une conduite d'égout ouverte.

### ATTENTION

Si le serpentin est situé dans ou au-dessus d'un espace d'habitation où un débordement de condensat peut causer des dégâts, un drain séparé de  $\frac{3}{4}$  po doit être fourni à partir du raccord de drainage secondaire (**ou un contacteur à flotteur peut être utilisé - voir les instructions de l'ensemble pour les procédures d'installation**). Amener ce drain à un endroit conforme aux codes d'installation locaux où il sera remarqué quand l'unité est opérationnelle. Le condensat s'écoulant du drain secondaire indique un drain primaire bouché.

Amorcer le purgeur avec de l'eau. Tester la conduite pour détecter les fuites éventuelles. Vérifier le débit d'eau avec l'unité en fonctionnement.

Ne pas laisser le raccord de la cuvette de drainage supporter le poids de la conduite de drainage. Fixer la conduite de drainage à l'aide d'une sangle ou d'une méthode équivalente pour s'assurer qu'elle est perpendiculaire à la face de la cuvette de drainage.



## CONDUITE DE RÉFRIGÉRANT

Les connexions de réfrigérant sont 3/8 po ODF Liquid et 3/4 po ODF Suction. Se reporter aux recommandations du fabricant de l'unité extérieure sur le dimensionnement de la conduite. Pendant le brasage des conduites de réfrigérant, placer un chiffon humide autour de la conduite d'aspiration pour protéger l'enceinte ou le plafond de la surchauffe. Maintenir un minimum de 1,5 po à partir des connexions de brasage du réfrigérant et de l'enceinte ou du plafond. Voir la nomenclature pour déterminer le type de contrôle du débit installé et nécessaire pour votre application. Les serpentins d'évaporateur sont expédiés d'usine avec des pistons de fluteur ou des ensembles TXV. Des pistons de ventilateur et des ensembles TXV sont disponibles pour conversion sur place.

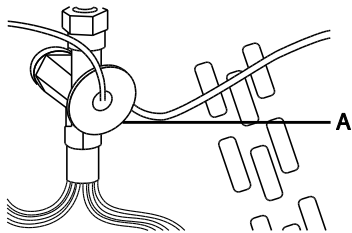
## DISPOSITIF DE MESURE

### Vanne d'expansion thermique (TXV)

**Vannes d'expansion installées en usine :** Les ampoules de détection sont installées en usine et fixées à la conduite d'aspiration. Pour un rendement optimal, remonter et isoler le bulbe à 10 ou 2 heures à l'extérieur de l'enceinte de la conduite d'aspiration principale à moins d'un pied du raccord de la conduite d'aspiration. Au besoin, le bulbe peut être installé sur une conduite d'aspiration verticale. Dans ce cas, le bulbe doit être placé avant tout purgeur, le tube capillaire du bulbe orienté vers le haut.

FIGURE 8

#### Vanne d'expansion thermique (Lettre A)



**REMARQUE :** Certains modèles sont équipés d'un vanne d'expansion thermique et ne nécessitent aucun changement d'orifice.

### Pistons

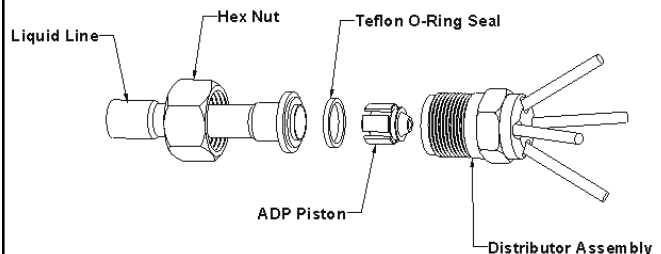
**IMPORTANT: Pour un rendement optimal, le piston doit être dimensionné pour correspondre aux recommandations du fabricant de l'unité extérieure.** Consulter les informations de l'unité extérieure pour déterminer si l'unité intérieure a la taille d'orifice correcte.

Pour changer les pistons, suivre la procédure suivante :

1. Desserrer l'écrou hexagonal situé sur la conduite de liquide et le séparer de l'ensemble distributeur.
2. Retirer le piston existant de l'ensemble distributeur.
3. Insérer le piston désiré dans le distributeur.
4. Inspecter le joint torique en Téflon et le remplacer s'il est endommagé. S'assurer que le joint torique en Téflon est en place.
5. Réinstaller l'écrou hexagonal sur le corps et serrer à 10 pi-lb.

FIGURE 9

#### Vue latérale de l'orifice du piston



# INSTALLATION DE LA CONDUITE DE RÉFRIGÉRANT

Les conduites de réfrigérant doivent être connectées par un technicien certifié par l'EPA conformément aux procédures établies.

## IMPORTANT:

- Le raccordement des conduites de réfrigérant doit être effectué en cuivre propre, déshydraté et de qualité réfrigérante. Les serpentins du ventilateur-convecteur ne doivent être installés qu'avec les dimensions de conduite spécifiées pour les combinaisons de systèmes approuvées.
  - Faire attention aux conduites de réfrigérant pendant l'installation. Des coudes coupants ou des coudes dans les conduites peuvent causer une restriction.
  - Ne pas retirer les capuchons des conduites ou des points de connexion du système. Les connexions de l'unité sont prêtes à être effectuées.
1. Acheminer les conduites d'aspiration et de liquide des raccords du serpentín intérieur aux raccords de l'unité extérieure. Faire passer les conduites dans un chemin direct, évitant ainsi les virages et les coudes inutiles.
  2. S'assurer que la conduite d'aspiration est isolée sur toute la longueur exposée et que les conduites d'aspiration et de liquide ne sont pas en contact direct avec les sols, murs, gaines, solives de sol ou autres conduites.
  3. Raccorder la conduite d'aspiration et la conduite de liquide au serpentín d'évaporateur.

4. Pour éviter d'endommager les œillets en caoutchouc de l'enceinte pendant le brasage, faire glisser les œillets en caoutchouc sur les conduites de réfrigérant jusqu'à ce qu'ils soient éloignés de la source de chaleur.
5. Braser avec un alliage d'argent ou de cuivre et de phosphore avec un point de fusion supérieur à 1100 °F.  
**REMARQUE :** Ne pas utiliser de soudure douce.
6. Réinstaller les œillets en caoutchouc une fois le brasage terminé.
7. S'assurer que l'unité extérieure a été mise en place conformément aux instructions d'installation et est connecté aux conduites de réfrigérant.

ADP recommande d'installer un filtre déshydrateur et une vitre dans la conduite de liquide. Pendant le brasage, purger le système avec de l'azote pour éviter toute contamination. ADP recommande de rattacher et d'isoler le bulbe de détection TXV à 10 à 2 heures sur la conduite d'aspiration, à l'extérieur du boîtier du serpentín, à moins d'un pied de la connexion. Évacuer le système à 500 microns pour assurer une évacuation correcte de l'air et de l'humidité (**Remarque :** Une évacuation profonde ou une triple évacuation est recommandée). Ouvrir lentement la vanne de service d'aspiration et laisser le réfrigérant s'écouler dans le système avant d'ouvrir la vanne de service de liquide.

# INSTRUCTIONS DE CHARGEMENT DU RÉFRIGÉRANT

En mode Climatisation, la température extérieure doit être supérieure ou égale à 60 °F. Pour que les pressions se stabilisent, faire fonctionner le système pendant au moins 15 minutes entre les réglages. Lors du réglage de la charge des systèmes équipés de serpentins extérieurs à microcanaux, effectuer de petits ajustements (1 once ou moins) car ces systèmes sont très sensibles à la charge de réfrigérant.

**Charge TXV<sup>2, 3, 4</sup>** – Utiliser la méthode de charge recommandée par les instructions de l'unité extérieure. ADP recommande également de charger à un sous-refroidissement de 12 °F pour les unités CA et à un sous-refroidissement de 10 °F pour les thermopompe. De plus, si la vanne est réglable, régler à 10 °F de surchauffe.

**Charge à orifice fixe<sup>2, 3, 4</sup>** – Utiliser la surchauffe recommandée par les instructions de l'unité extérieure. ADP recommande également de charger sur le tableau de surchauffe ci-dessous.

Temp. air extérieur (°F)	60	65	70	75	80	85	90	95	100	105	110	115
Surchauffe (°F)	31	28	25	22	20	16	13	10	8	6	5	5

Pour les thermopompe initialement chargées en mode Climatisation, les réglages finaux pour charger en mode Chauffage sont acceptables au besoin. Certaines thermopompe doivent être chargées en mode Chauffage. Dans ce cas, se reporter aux instructions extérieures pour les procédures de charge recommandées.

Si le système est sous-chargé après la charge initiale, ajouter du réfrigérant jusqu'à ce que la vitre de vision soit dégagée et que les pressions, températures, sous-refroidissement et surchauffe recommandées puissent être obtenues. Si le système est surchargé après la charge initiale, récupérer le réfrigérant jusqu'à ce que les pressions, températures, sous-refroidissement et surchauffe recommandés puissent être obtenus.





## Remarques :

1. En cas de problème ou de question concernant les frais, contacter le service à la clientèle.
2. Les méthodes de charge des FEO varient en fonction de la conception et de l'application. Vérifier que toutes les pressions, températures, sous-climatisation et réglages de surchauffe recommandés produisent la charge correcte.
3. Les serpentins APD peuvent nécessiter une compensation de charge en raison de la variation de taille par rapport au serpentín OEM.
4. Les températures sont de  $\pm 2$  °F sauf recommandation contraire.

## FILTRES

Les filtres ne sont pas fournis avec l'unité et doivent être fournis et installés dans le système de retour d'air par l'installateur. Une grille de filtration installée sur place est recommandée pour un accès facile et pratique aux filtres pour une inspection et un nettoyage périodiques. Les filtres doivent avoir une surface de face suffisante pour la quantité d'air nominale de l'unité.


## EXIGENCES ÉLECTRIQUES




 <b>AVERTISSEMENT</b> 	
 <b>Risque d'électrocution!</b>	
<b>Mettre l'aérotherme électrique à la terre.</b>	
<b>Connecter le fil de terre à la borne de terre marquée</b> 	
<b>Utiliser un fil de cuivre homologué pour le raccordement de l'alimentation.</b>	
<b>Le tableau ci-dessous indique le calibre de fil correct.</b>	
<b>Le non-respect de ces instructions peut entraîner la mort ou un choc électrique.</b>	

**REMARQUE :** Utiliser uniquement des conducteurs en cuivre

- Tout le câblage sur place doit être effectué conformément au National Electrical Code, aux exigences applicables des codes UL et locaux, le cas échéant.
- Le câblage d'alimentation, les moyens de déconnexion et la protection contre les surtensions doivent être fournis par l'installateur. Se reporter à la plaque signalétique du ventilateur-convecteur de la série MX pour la protection maximale contre les surtensions, l'ampérage minimum du circuit et la tension de fonctionnement.
- L'alimentation électrique doit être dimensionnée et protégée conformément aux spécifications fournies avec le produit.
- Ce ventilateur-convecteur est configuré en usine pour 240 V monophasé, 60 cycles. Pour les applications 208 volts, voir « Conversion 208 volts » à la section « Effectuer des connexions électriques ».
- Pour les applications optionnelles avec aérotherme électrique, se reporter aux instructions fournies avec l'accessoire pour une installation correcte.

## RACCORDEMENTS ÉLECTRIQUES

1. Modèles avec chauffage électrique : Déterminer le nombre de circuits nécessaires pour alimenter l'aérotherme en électricité. Voir l'étiquette de l'ensemble d'accessoires du ventilateur-convecteur pour le nombre de circuits et les valeurs nominales.
2. Déconnecter toutes les sources d'alimentation.
3. Retirer le panneau de commande.
4. Installer les fils et raccords homologués UL à l'aide des trous de câblage prépercés.
5. Connecter un fil de taille appropriée aux bornes du sectionneur.
6. Connecter le ou les fil(s) de terre verts (1 ou 2) à la terre borne(s) (1 ou 2) marquées 
7. Installer les bouchons d'ouverture des conduits dans les ouvertures inutilisées.
8. Réinstaller le panneau de commande du ventilateur-convecteur.
9. Rebrancher l'alimentation électrique.
10. Éliminer toutes les autres pièces.

 <b>AVERTISSEMENT</b> 	
 <b>Risque d'électrocution!</b>	
<b>Déconnecter toutes les sources d'alimentation avant de procéder à l'entretien.</b>	
<b>Remettre toutes les pièces et panneaux en place avant de les utiliser.</b>	
<b>Le non-respect de cette consigne peut entraîner la mort ou un choc électrique.</b>	

# VÉRIFICATIONS DU MANUTENTEUR D'AIR

## Vérifier fonct. du ventilateur

1. Mettre le thermostat sur VENTILATEUR.
2. Le ventilateur intérieur doit s'allumer.

## Vérifier le réchauffeur électrique (le cas échéant)

1. Régler le thermostat pour demander le chauffage auxiliaire (environ 5 °F au-dessus de la température ambiante). Le ventilateur intérieur et le chauffage auxiliaire doivent s'allumer ensemble. Laisser tous les séquenceurs fonctionner pendant au moins trois minutes.
2. Régler le thermostat de manière à ce qu'il ne demande pas de chauffage. Prévoir jusqu'à cinq minutes pour que tous les séquenceurs s'éteignent.

## Vérifier le débit d'air

### Vitesse de ventilateur de climatisation :

- Pour un fonctionnement correct, le débit d'air à travers le serpentin intérieur doit être compris entre 350 et 450 pi<sup>3</sup>/min par tonne de puissance de climatisation (350 - 450 pi<sup>3</sup>/min par 12 000 BTU/h) en fonction de la puissance de l'unité extérieure.
- La vitesse de ventilateur de climatisation est configurée en usine pour fournir un débit d'air correct pour une unité extérieure qui correspond à la puissance de refroidissement maximale du ventilo-convecteur.
- Si l'unité extérieure est inférieure à la puissance de refroidissement maximale du ventilo-convecteur, il peut être nécessaire de modifier la vitesse de ventilateur de climatisation. Voir « Données de rendement du ventilateur ».

**IMPORTANT:** La vitesse de ventilateur de climatisation doit être réglée pour fournir un débit d'air minimum de 350 pi<sup>3</sup>/min par tonne (12 000 BTU/h) de capacité de climatisation extérieure.

	<b>AVERTISSEMENT</b>	
		
<b>Risque d'électrocution!</b>		
<b>Déconnecter toutes les sources d'alimentation avant de procéder à l'entretien.</b>		
<b>Remettre toutes les pièces et panneaux en place avant de les utiliser.</b>		
<b>Le non-respect de cette consigne peut entraîner la mort ou un choc électrique.</b>		

## **ENTRETIEN DU VENTILO-CONVECTEUR**

---

Au début de chaque saison de chauffage, l'unité doit être entretenue par un installateur ou une société d'entretien qualifié.

## **ASSISTANCE OU SERVICE**

---

Si vous avez besoin d'aide, vous pouvez nous contacter à l'adresse ci-dessous pour toute question ou préoccupation. Veuillez indiquer un numéro de téléphone de jour dans votre correspondance.

Advanced Distributor Products  
1995 Air Industrial Park Road  
Grenada, MS 38901  
[www.adpnow.com](http://www.adpnow.com)

# GARANTIE LIMITÉE SUR LE VENTILO-CONVECTEUR ADP

## Durée de la garantie

Advanced Distributor Products (ADP) garantit que ses produits vendus seront de qualité marchande, exempts de défauts de matière et de main-d'œuvre, dans des conditions d'utilisation et d'entretien normales, pendant une période de cinq (5) ans à compter de la date d'installation, **sans** dépasser six (6) ans à compter de la date de fabrication, sous réserve des conditions de la garantie limitée d'ADP.

Pour en savoir plus sur la garantie de ce produit, y compris l'accès aux conditions de garantie complètes, l'enregistrement pour une garantie prolongée\* ou les instructions pour déposer une réclamation au titre de la garantie, veuillez vous rendre sur [www.ADPwarranty.com](http://www.ADPwarranty.com).

\* Dans les États ou provinces où les exigences d'enregistrement sont interdites, le fait de ne pas terminer l'enregistrement par le consommateur ne réduit pas ses droits à la garantie.

## Information sur l'équipement

*Veuillez écrire les renseignements demandés ci-dessous et conserver la présente garantie dans vos dossiers, pour consultation future.*

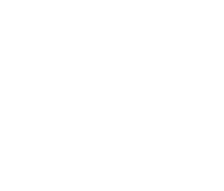
Numéro de modèle de l'unité : \_\_\_\_\_

Numéro de série : \_\_\_\_\_

Entrepreneur installateur : \_\_\_\_\_

Date d'installation : \_\_\_\_\_

Téléphone : \_\_\_\_\_





---

2140 Lake Park Blvd, Richardson, TX 75080, États-Unis  
[www.adpnow.com](http://www.adpnow.com)