



Installation Instructions

Compact Front Return Wall Mount Air Handlers

TABLE OF CONTENTS	PAGE	PAGE	
Air Handler Safety.....	1	Refrigerant Line Installation.....	14
General.....	5	Refrigerant Charging Instructions.....	14
Inspect Shipment.....	5	Filters.....	15
Installation Requirements.....	5	Electrical Requirements.....	15
Wiring Diagrams.....	6	Electrical Connections.....	15
Thermostat Connections.....	8	A2L Label Installation.....	15
Electrical Data.....	10	A2L Refrigerant Detection Sensor.....	16
Blower Performance Data.....	11	A2L Refrigerant Detection System Controller.....	16
Tools and Part Needed.....	12	Air Handler Checks.....	20
Installation.....	12	Flammable Refrigerant Detection.....	20
Ductwork.....	12	Refrigerant Recovery.....	21
Install Condensate Drain.....	13	Air Handler Maintenance.....	22
Metering Device.....	13	Assistance or Service.....	22
Refrigerant Piping.....	14	Warranty.....	23

AIR HANDLER SAFETY

SAFETY CONSIDERATIONS

Your safety and the safety of others are very important.

We have provided many important safety messages in this manual and on your appliance. Always read and obey all safety messages.



This is the safety alert symbol.

This symbol alerts you to potential hazards that can kill or hurt you and others.

All safety messages will follow the safety alert symbol and signal word. These signals words mean the following:

DANGER: You can be killed or seriously injured if you don't immediately follow instructions.

WARNING: Indicate a potentially hazardous situation which, if not avoided, could result in death or serious injury.

CAUTION: Indicates a potentially hazardous situation which, if not avoided, may result in minor or moderate injury. Caution may also be used to alert against unsafe practices.

NOTICE: Indicates a statement of company policy as the message relates directly or indirectly to the safety of personnel or protection of property.

IMPORTANT: More detailed information concerning the statement of company policy as the message relates directly or indirectly to the safety of personnel or protection of property.

All safety messages will tell you what the potential hazard is, tell you how to reduce the chance of injury, and tell you what can happen if the instructions are not followed.



CAUTION





This appliance is not intended for use by persons (including children) with reduced physical, sensory or mental capabilities, or lack of experience and knowledge, unless they have been given supervision or instruction concerning use of the appliance by a person responsible for their safety. Children should be supervised ensure that they do not play with the appliance.





Product improvement is a continuous process at Advanced Distributor Products. Therefore, product specifications are subject to change without notice and without obligation on our part. Please contact your ADP representative or distributor to verify details.

© by Advanced Distributor Products. All rights reserved.



AIR HANDLER SAFETY

 **IMPORTANT** 



This unit is a PARTIAL UNIT AIR CONDITIONER, complying with PARTIAL UNIT requirements of this Standard, and must only be connected to other units that have been confirmed as complying to corresponding PARTIAL UNIT requirements of this Standard, UL 60335-2-40/CSA C22.2 No. 60335-2-40, or UL 1995/CSA C22.2 No 236.

 **IMPORTANT** 



The Clean Air Act of 1990 bans the intentional venting of refrigerant (CFC's and HFC's). Approved methods of reclaiming must be followed. Fines and/or incarceration may be levied for non-compliance.

 **IMPORTANT** 

This unit is a PARTIAL UNIT, it shall only be connected to an appliance using the same refrigerant as listed in the name plate of this unit.


 **NOTICE** 

Leak detection system Installed. Unit must be powered except for service

 **IMPORTANT** 

In addition to conventional charging procedures, the following requirements shall be followed.



1. Ensure that contamination of different refrigerants does not occur when using charging equipment. Hoses or lines shall be as short as possible to minimize the amount of refrigerant contained in them.
2. Cylinders shall be kept in an appropriate position according to the instructions.
3. Ensure that the REFRIGERATION SYSTEM is earthed before charging the system with refrigerant.
4. Label the system when charging is complete
5. Extreme care shall be taken not to overfill the REFRIGERATION SYSTEM. Prior to recharging the system, it shall be pressure-tested with appropriate purging gas. The system shall be leak-tested on completion of charging but prior to commissioning. A follow-up leak test shall be carried out prior to leaving the site.

 **IMPORTANT** 

Improper installation, adjustment, alteration, service or maintenance can cause property damage, personal injury or loss of life. Installation and service must be performed by a licensed professional HVAC installer or equivalent, service agency, or the gas supplier.

 **CAUTION** 

Any service personnel installing, decommissioning, or performing maintenance on the unit must be properly trained with A2L refrigerants

 **NOTICE** 

Sealed electrical components shall be replaced, not repaired.

 **NOTICE** 

Intrinsically safe components shall be replaced, not repaired.

THIS UNIT REQUIRES SERVICE EQUIPMENT COMPATIBLE WITH R-454B REFRIGERANT

 **R-454B**  



REFRIGERANT SAFETY GROUP A2L 67684001

THIS UNIT REQUIRES SERVICE EQUIPMENT COMPATIBLE WITH R-32 REFRIGERANT



 **R-32**  

REFRIGERANT SAFETY GROUP A2L 67684101

 **WARNING** 

Do not use means to accelerate the defrosting process or to clean other than those recommended by the manufacturer. The appliance shall be stored in a room without continuously operating ignition sources (for example: open flames, an operating gas appliance or an operating electric heater. Do not pierce or burn. Be aware that refrigerants may not contain an odor.

 **CAUTION** 

Equipment shall be labeled stating that it has been decommissioned and emptied of refrigerant. The label shall be dated and signed. For appliances containing flammable refrigerants, ensure that there are labels on the equipment stating the equipment contains flammable refrigerant.

 **NOTICE** 

Ensure that the cabling is not subject to wear, corrosion, excessive pressure, vibration, sharp edges or any other adverse environmental effects.

AIR HANDLER SAFETY



IMPORTANT



Work shall be undertaken under a controlled procedure so as to minimize the risk of a flammable gas or vapor being present while the work is being performed.



NOTICE



All maintenance staff and others should avoid working in confined spaces.



IMPORTANT



The area shall be checked with an appropriate refrigerant detector prior to and during work, to ensure the technician is aware of potentially toxic or flammable atmospheres. Ensure that the leak detection equipment being used is suitable for use with all applicable refrigerants, i.e. non-sparking, adequately sealed or intrinsically safe.



IMPORTANT



If any hot work is to be conducted on the refrigerating equipment or any associated parts, appropriate fire extinguishing equipment shall be available to hand. Have a dry powder or CO2 fire extinguisher adjacent to the charging area.



CAUTION



No person carrying out work in relation to a refrigerating system which involves exposing any pipe work shall use any sources of ignition in such a manner that it may lead to the risk of fire or explosion. All possible ignition sources, including cigarette smoking, should be kept sufficiently far away from the site of installation, repairing, removing and disposal, during which refrigerant can possibly be released to the surrounding space. Prior to work taking place, the area around the equipment is to be surveyed to make sure that there are no flammable hazards or ignition risks. "No Smoking" signs shall be displayed.



IMPORTANT



Ensure that the area is in the open or that it is adequately ventilated before breaking into the system or conducting any hot work. A degree of ventilation shall continue during the period that the work is carried out.



CAUTION



Some soaps used for leak detection are corrosive to certain metals. Carefully rinse the piping thoroughly after leak test has been completed. Do not use matches, candles, flame or other sources of ignition to check for gas leaks.



IMPORTANT



Where electrical components are being changed, they shall be fit for the purpose and to the correct specification. At all times the manufacturer's maintenance and service guidelines shall be followed. If in doubt, consult the manufacturer's technical department for assistance. The following checks shall be applied to installations using FLAMMABLE REFRIGERANTS as applicable.

1. The actual refrigerant charge is in accordance with the room size within which the refrigerant containing parts are installed.
2. The ventilation machinery and outlets are operating adequately and are not obstructed.
3. If an indirect refrigerating circuit is being used, the secondary circuit shall be checked for the presence of refrigerant.
4. Markings to the equipment continues to be visible and legible. Markings and signs that are illegible shall be corrected
5. Refrigerating pipe or components are installed in a position where they are unlikely to be exposed to any substance which may corrode refrigerant containing components, unless the components are constructed of materials which are inherently resistant to being corroded or are suitably protected against being so corroded.



CAUTION



Repair and maintenance to electrical components shall include initial safety checks and component inspection procedures such as that capacitors are discharged in a safe manner to avoid possibility of sparking, that no live electrical components and wiring are exposed while charging, recovering, or purging the system, and that there is continuity of earth bonding. If a fault exists that could compromise safety, then no electrical supply shall be connected to the circuit until it is satisfactorily dealt with. If the fault cannot be corrected immediately but it is necessary to continue operation, an adequate temporary solution shall be used that is reported to the owner of the equipment, so all parties are advised.



NOTICE



Maximum altitude of application is 3200 m above sea level.



NOTICE



After completion of field piping for split systems, the field pipework shall be pressure tested with an inert gas to a minimum of 450 psig and then vacuum tested prior to refrigerant charging.



NOTICE



Field-made refrigerant joints indoors shall be tightness tested. The test method shall have a sensitivity of 5 grams per year of refrigerant or better under a pressure of at least 0.25 times the maximum allowable pressure. No leak shall be detected.

AIR HANDLER SAFETY

WARNING

Auxiliary devices which may be a potential ignition source shall not be installed in the duct work. Examples of such potential ignition sources are hot surfaces with a temperature exceeding 700°C and electric switching devices.

NOTICE

All maintenance staff and others working in the local area shall be instructed on the nature of work being carried out with work in confined spaces being avoided.

WARNING

For appliances using A2L refrigerants connected via an air duct system to one or more rooms, only auxiliary devices approved by the appliance manufacturer or declared suitable with the refrigerant shall be installed in connecting ductwork.

WARNING

For duct connected appliances, false ceilings or drop ceilings may be used as a return air plenum if a REFRIGERANT DETECTION SYSTEM is provided in the appliance and any external connections are also provided with a sensor immediately below the return air plenum duct joint.

WARNING

If this appliance is conditioning a space with an area smaller than the TA_{min} as defined by instructions, then that space must be without continuously operating open flames (e.g. an operating gas appliance) or other potential ignition sources (e.g. an operating electric heater or similar hot surface). A flame producing device may be installed in the same space if the device is provided with an effective flame arrest system.

NOTICE

Pipe-work including piping material, pipe routing, and installation shall include protection from physical damage in operation and service, and be in compliance with national and local codes and standards, such as ASHRAE 15, ASHRAE 15.2, IAPMO Uniform Mechanical Code, ICC International Mechanical Code, or CSA B52. All field joints shall be accessible for inspection prior to being covered or enclosed.

Air Handlers using A2L refrigerants (R-454B & R-32) installed at building site ground level altitude, must comply with a minimum conditioned area requirements are show below.

TA_{min} Table							
R-454B/ R-32 Refrigerant Charge (lbs)	3	5	10	15	20	25	30
R-454B/ R-32 Refrigerant Charge (kg)	1.4	2.3	4.5	6.8	9.1	11.3	13.6
MINIMUM CONDITIONED AREA (ft²)	45	75	150	225	300	375	450
MINIMUM CONDITIONED AREA (m²)	4.2	7.0	13.9	20.9	27.9	34.8	41.8

Minimum conditioned area requirements must be adjusted by multiplying with the altitude adjustment factor (AF) for installation at higher altitudes (H_{alt}). Tables shown below lists the AF values for different altitudes in meters.

ALTITUDE ADJUSTMENT FACTOR													
H_{alt} (METERS)	0 - 600	800	1000	1200	1400	1600	1800	2000	2200	2400	2600	3000	3200
AF	1.00	1.02	1.05	1.07	1.10	1.12	1.15	1.18	1.21	1.25	1.28	1.36	1.40

GENERAL

These instructions are intended as a general guide only and do not supersede any national or local codes in any way. Compliance with all local, state, or national codes pertaining to this type of equipment should be determined prior to installation.

Read this entire instruction manual, as well as the instructions supplied in separate equipment, before starting the installation.

All models are designed for indoor installation only.

The installation of the air handler, field wiring, warm air ducts, etc. must conform to the requirements of the National Electrical Code, ANSI/NFPA No. 70 (latest edition) in the United States, and any state laws, and local ordinances (including plumbing or wastewater codes). Local authorities having jurisdiction should be consulted before installation is made. Such applicable regulations or requirements take precedence over the general instructions in this manual.

Install the conditioned air plenum, ducts and air filters (not provided) in accordance with NFPA 90B Standard for the Installation of Warm Air Heating and Air-Conditioning Systems (latest edition).

Do not remove the cabinet knockouts until it has been determined which knockouts need to be removed for the installation.

Select the final installation position that best suits the site conditions. Consider required clearances, space, routing requirements for refrigerant line, condensate disposal, filters, ductwork, wiring, and accessibility for service. Refer to the air handler rating plate on the air handler for specific information.

INSPECT SHIPMENT

All air handlers are performance tested. Each unit consists of a blower assembly, refrigerant coil and controls, in an insulated, factory-finished enclosure. Knockouts are provided for electrical wiring entrance.

1. Check the unit rating plate to confirm specifications are as ordered.
2. Upon receipt of equipment, carefully inspect it for possible shipping damage. Take special care to examine the unit if the carton is damaged.

If damage is found, it should be noted on the carrier's freight bill. Damage claims should be filed with the carrier immediately. Claims of shortages should be filed with the seller within 5 days.

NOTE: If any damages are discovered and reported to the carrier, do not install the unit because your claim may be denied.

INSTALLATION REQUIREMENTS





The installation of the air handler, field wiring, warm air ducts, etc. must conform to the requirements of the National Electrical Code, ANSI/NFPA No. 70 (latest edition) in the United States, and any state laws, and local ordinances (including plumbing or wastewater codes). Local authorities having jurisdiction should be consulted before installation is made. Such applicable regulations or requirements take precedence over the general instructions in this manual.

Install the conditioned air plenum, ducts and air filters (not provided) in accordance with NFPA 90B Standard for the Installation of Warm Air Heating and Air-Conditioning Systems (latest edition).

This unit is certified for installation clearances to combustible material as listed on the unit rating plate. Accessibility and service clearances must take precedence over combustible material clearances.

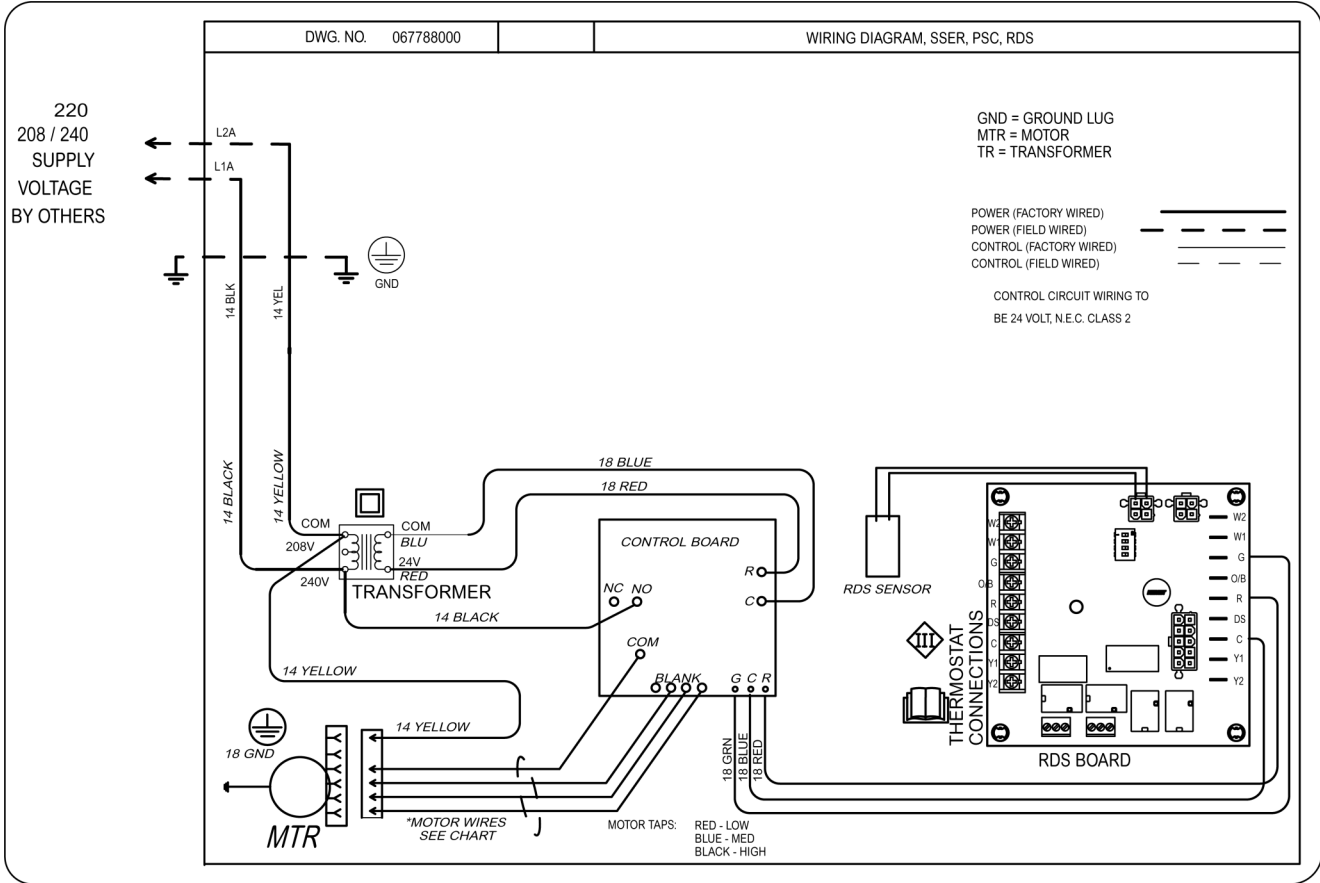
OUTDOOR SYSTEM REQUIREMENTS

The air handler is designed to match, and must be used with, outdoor units as rated in AHRI. The indoor sections are manufactured with an interchangeable refrigerant metering device to provide optimum refrigerant control and system

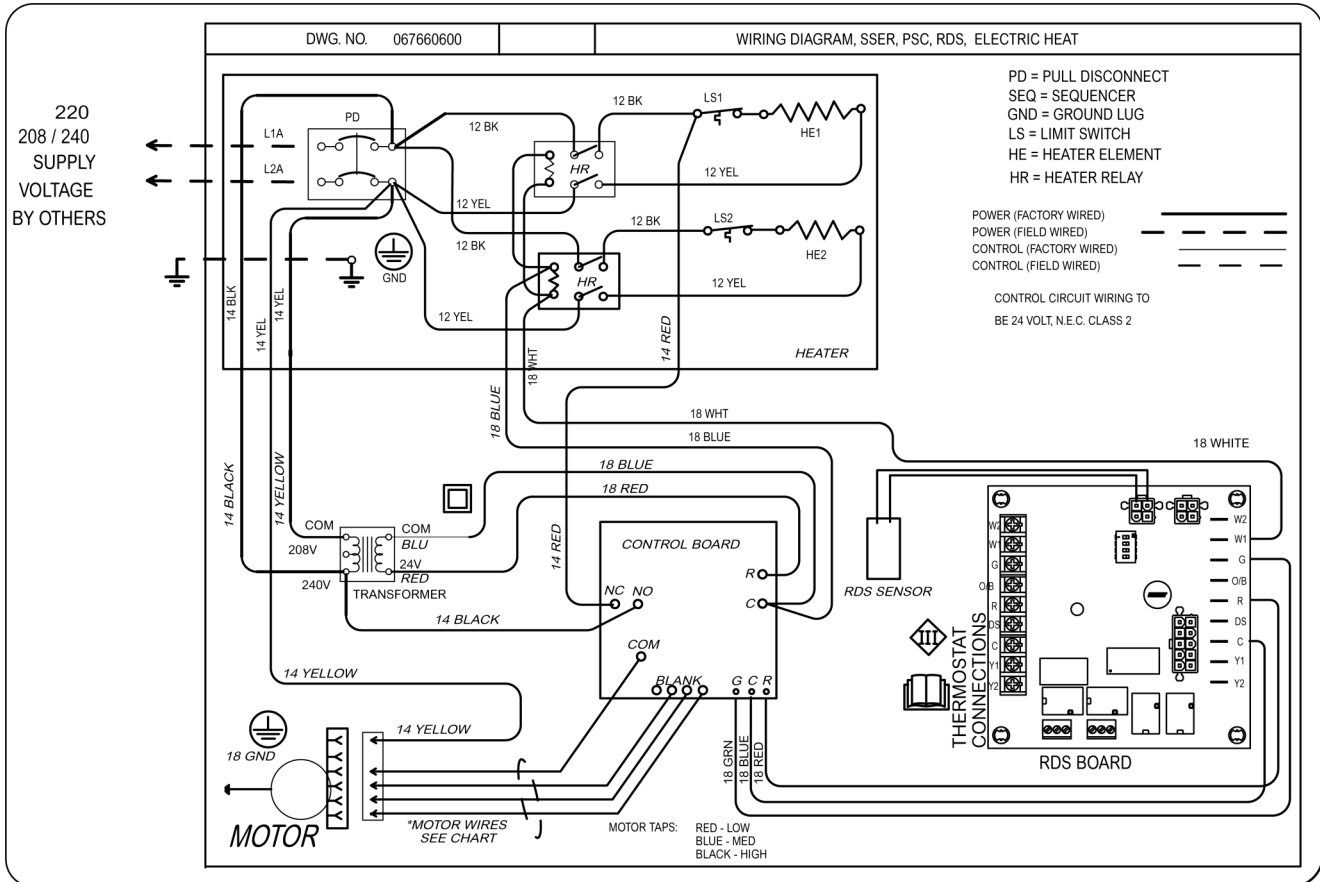
 WARNING 	
Electrical Shock	
Disconnect power before servicing.	
Replace all parts and panels before operating.	
Electrically ground air handler.	
Connect ground wire to ground terminal marked .	
Failure to do so can result in death or electrical shock.	
Explosion Hazard	
Keep flammable materials and vapors, such as gasoline, away from this unit.	
Place this unit so that the heating elements are at least 18in (46cm) above the floor for a garage insulation.	
Failure to follow these instructions can result in death, explosion or fire.	

WIRING DIAGRAM

3-SPEED PSC MOTOR (NO HEAT)

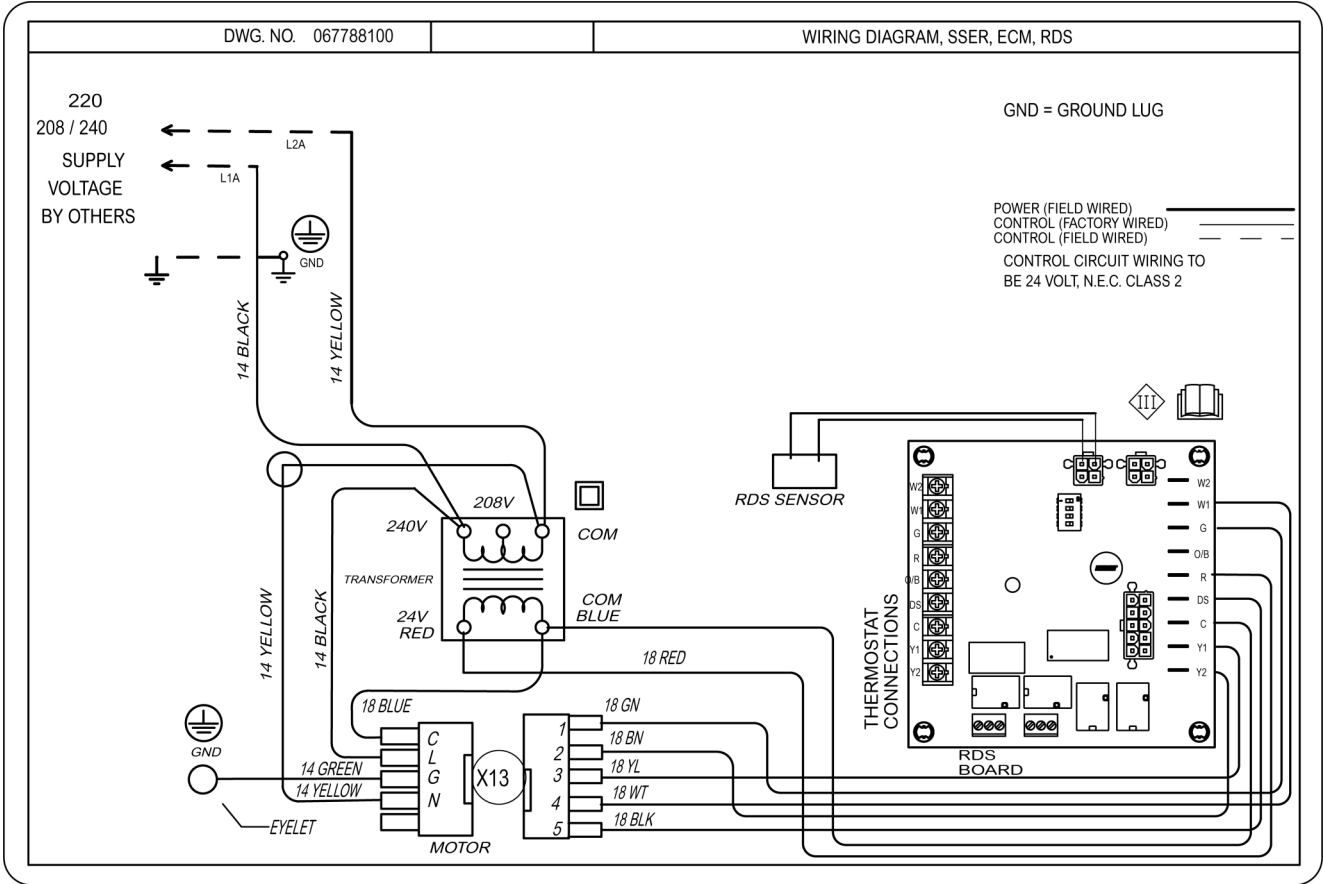


3-SPEED PSC MOTOR (WITH ELECTRIC HEAT)

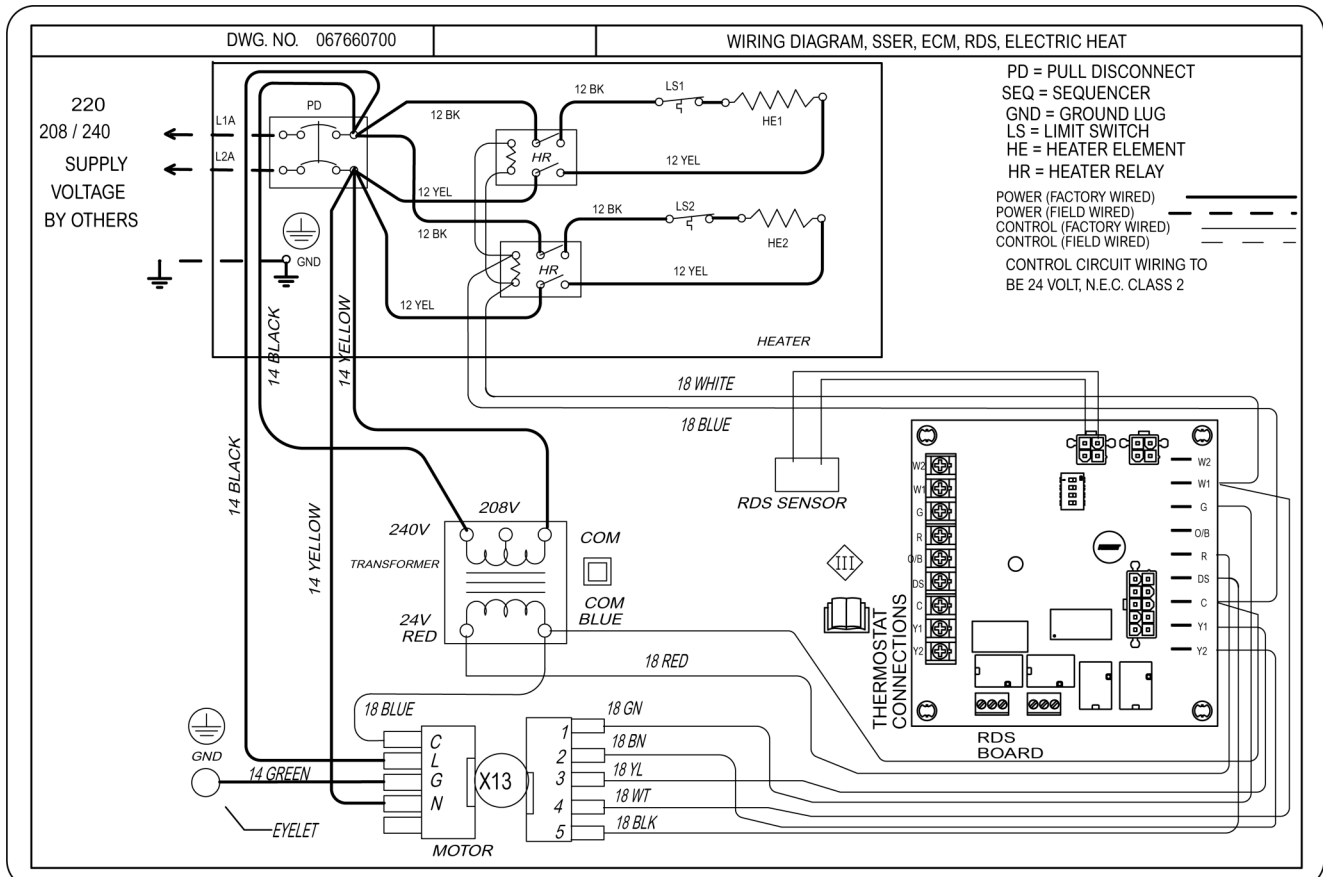


WIRING DIAGRAM

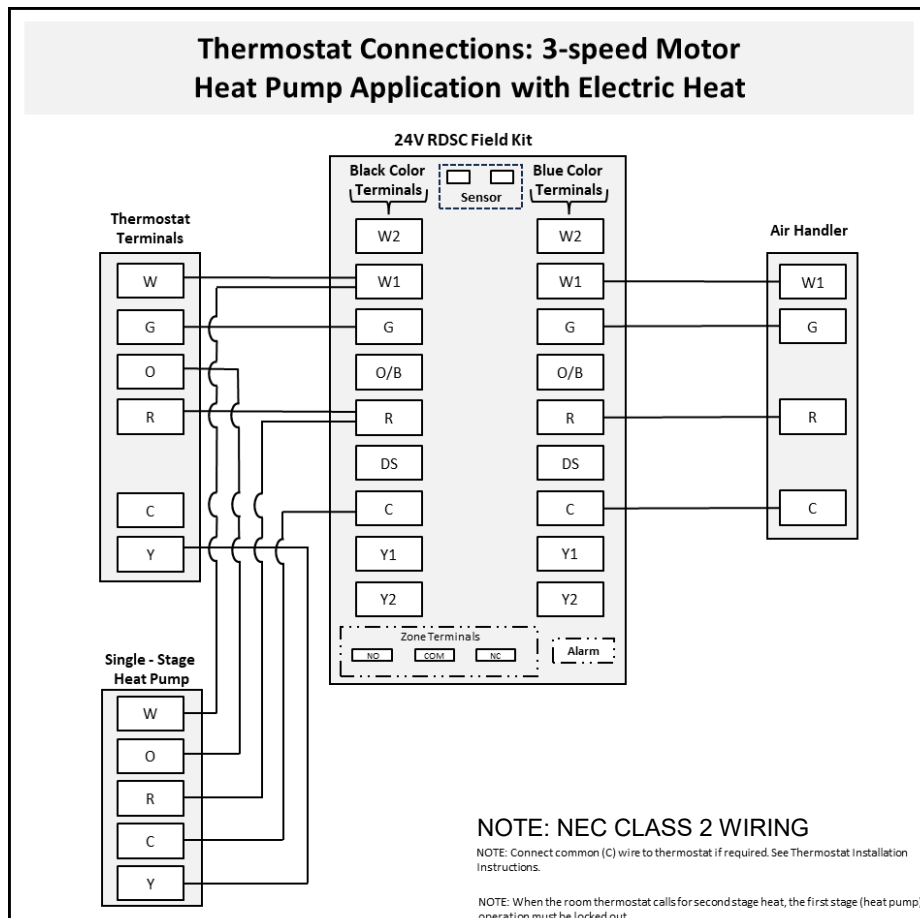
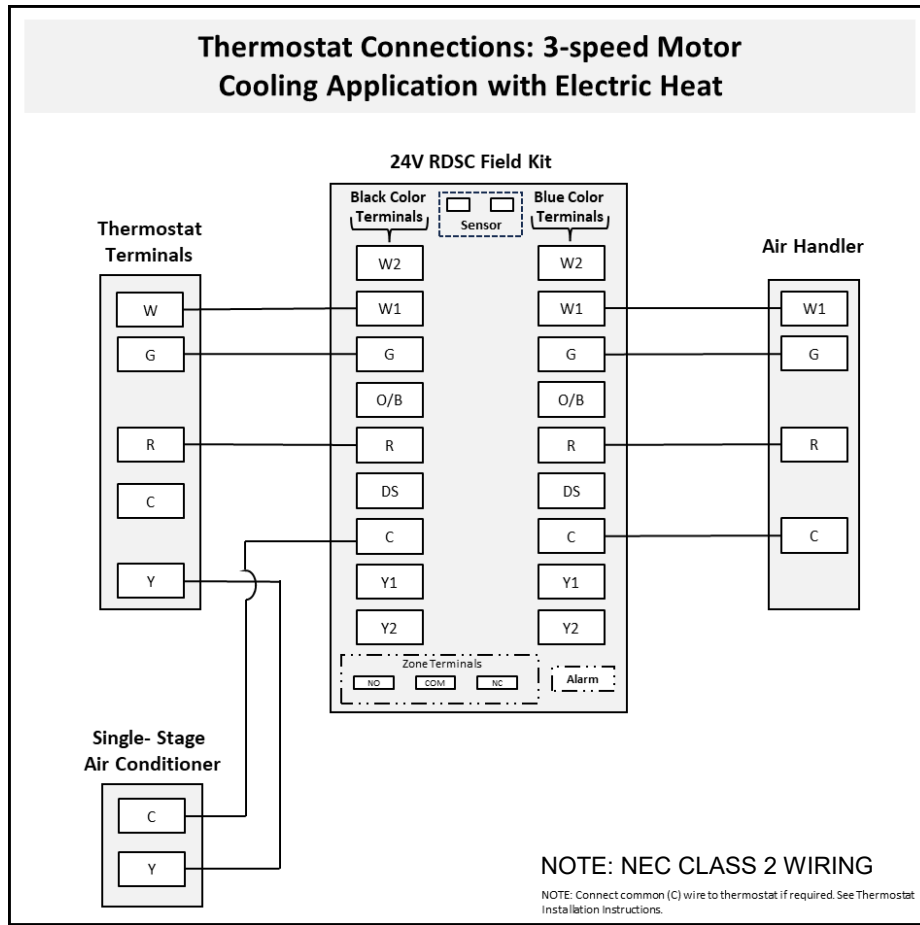
5-SPEED ECM MOTOR (NO HEAT)



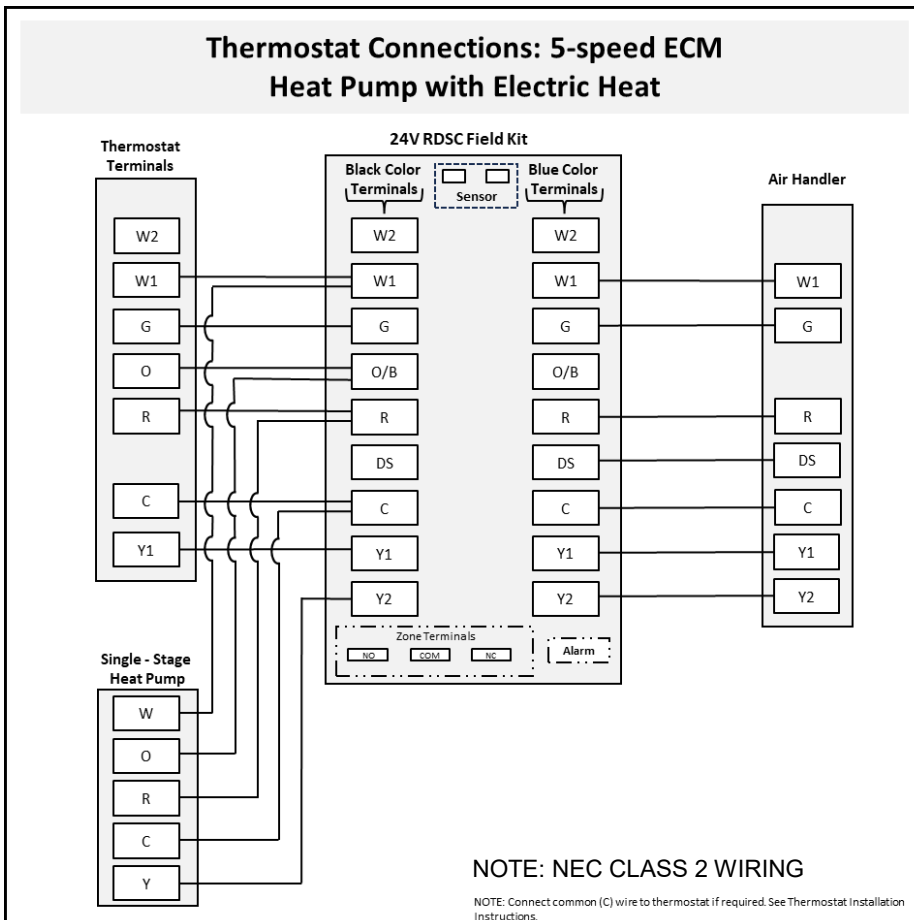
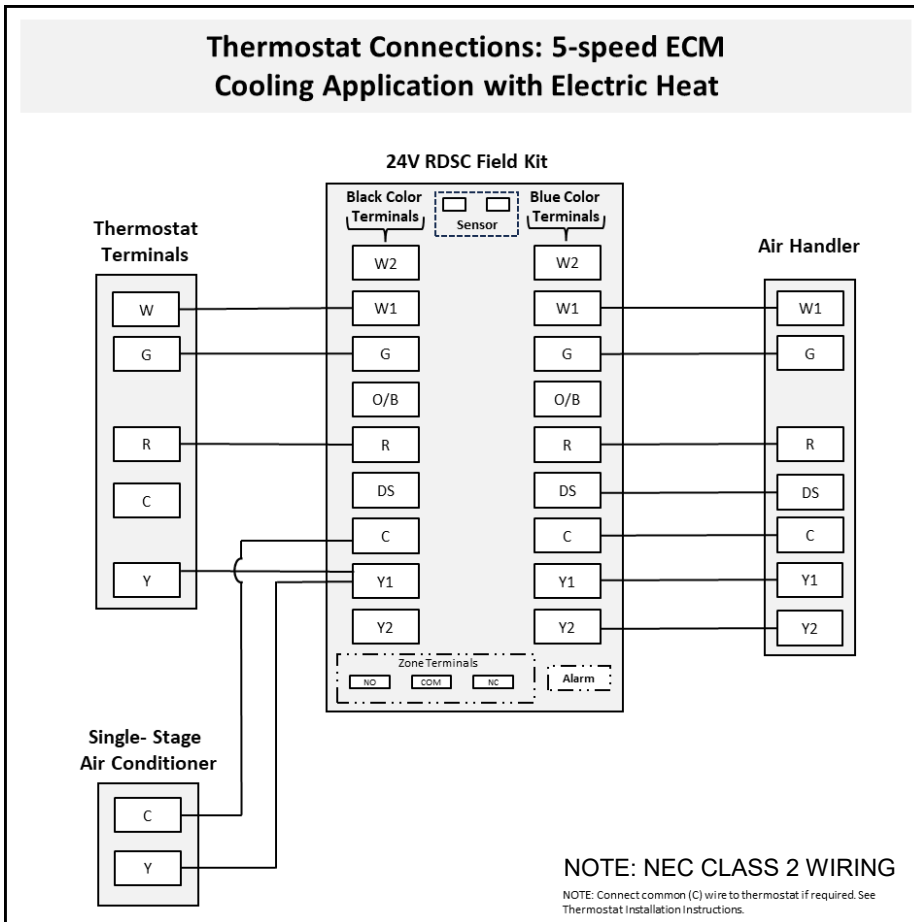
5-SPEED ECM MOTOR (WITH ELECTRIC HEAT)



LOW VOLTAGE THERMOSTAT CONNECTIONS



LOW VOLTAGE THERMOSTAT CONNECTIONS



ELECTRICAL DATA

3-Speed PSC Motor

Unit Size (All have electric heat)	Heating Capacity		Blower Current (A)		Total Current (A)		Minimum Circuit Ampacity (A)		Maximum Circuit Breaker Size	
	kW	BTUH							Per Stage (A)	
	240 V ^[1]	240 V ^[1]	208 V	240 V	208 V	240 V	208 V	240 V	208 V	240 V
18	0	0	1.8	1.7	1.8	1.7	2.3	2.1	15	15
	5	17,061	1.8	1.7	19.9	22.5	24.8	28.2	25	30
	7.5	25,591	1.8	1.7	28.9	33.0	36.1	41.2	40	45
	10	34,121	1.8	1.7	37.9	43.4	47.4	54.2	50	60
24	0	0	1.8	1.7	1.8	1.7	2.3	2.1	15	15
	5	17,061	1.8	1.7	19.9	22.5	24.8	28.2	25	30
	7.5	25,591	1.8	1.7	28.9	33.0	36.1	41.2	40	45
	10	34,121	1.8	1.7	37.9	43.4	47.4	54.2	50	60
30	0	0	2.1	2	2.1	2.0	2.6	2.5	15	15
	5	17,061	2.1	2	20.2	22.8	25.2	28.5	30	30
	7.5	25,591	2.1	2	29.2	33.3	36.5	41.6	40	45
	10	34,121	2.1	2	38.2	43.7	47.8	54.6	50	60
36	0	0	2.1	2	2.1	2.0	2.6	2.5	15	15
	5	17,061	2.1	2	20.2	22.8	25.2	28.5	30	30
	7.5	25,591	2.1	2	29.2	33.3	36.5	41.6	40	45
	10	34,121	2.1	2	38.2	43.7	47.8	54.6	50	60

[1] For 208 Volts use .751 correction factor for kW & MBTUH.

5-Speed High Efficiency ECM Motor

Unit Size (All have electric heat)	Heating Capacity		Blower Current (A)		Total Current (A)		Minimum Circuit Ampacity (A)		Maximum Circuit Breaker Size	
	kW	BTUH							Per Stage (A)	
	240 V ^[1]	240 V ^[1]	208 V	240 V	208 V	240 V	208 V	240 V	208 V	240 V
19	0	0	0.9	0.8	0.9	0.8	1.1	1.0	15	15
	5	17,061	0.9	0.8	19.0	21.6	23.7	27.0	25	30
	7.5	25,591	0.9	0.8	28.0	32.1	35.0	40.1	35	45
	10	34,121	0.9	0.8	37.0	42.5	46.3	53.1	50	60
25	0	0	1.8	1.7	1.8	1.7	2.3	2.1	15	15
	5	17,061	1.8	1.7	19.9	22.5	24.8	28.2	25	30
	7.5	25,591	1.8	1.7	28.9	33.0	36.1	41.2	40	45
	10	34,121	1.8	1.7	37.9	43.4	47.4	54.2	50	60
31	0	0	2.4	2.2	2.4	2.2	3.0	2.8	15	15
	5	17,061	2.4	2.2	20.5	23.0	25.6	28.8	30	30
	7.5	25,591	2.4	2.2	29.5	33.5	36.9	41.8	40	45
	10	34,121	2.4	2.2	38.5	43.9	48.1	54.8	50	60
37	0	0	3.1	2.9	3.1	2.9	3.9	3.6	15	15
	5	17,061	3.1	2.9	21.2	23.7	26.4	29.7	30	30
	7.5	25,591	3.1	2.9	30.2	34.2	37.7	42.7	40	45
	10	34,121	3.1	2.9	39.2	44.6	49.0	55.7	50	60
39	0	0	3.1	2.9	3.1	2.9	3.9	3.6	15	15
	5	17,061	3.1	2.9	21.2	23.7	26.4	29.7	30	30
	7.5	25,591	3.1	2.9	30.2	34.2	37.7	42.7	40	45
	10	34,121	3.1	2.9	39.2	44.6	49.0	55.7	50	60

[1] For 208 Volts use .751 correction factor for kW & MBTUH.

BLOWER PERFORMANCE DATA

3-Speed PSC Motor

Unit Size	Cooling Speed Setting	Airflow (CFM) vs. External Static Pressure (inches W.C.) ***				
		0.1	0.2	0.3	0.4	0.5
18	* ^ Low - Red	559	529	606	591	576
	Med - Blue	802	784	751	722	693
	High -Black	1046	1013	987	943	885
24	Low - Red	606	591	576	559	529
	* ^ Med - Blue	802	784	751	722	693
	High -Black	1046	1013	987	943	885
30	Low - Red	816	809	802	775	752
	* ^ Med - Blue	1000	985	970	935	889
	High -Black	1218	1175	1122	1070	1008
36	Low - Red	816	809	802	775	752
	Med - Blue	1000	985	970	935	889
	* ^ High -Black	1218	1175	1122	1070	1008

* Factory setting for cooling.

^ Factory setting for heating.

*** All airflow data is with a dry coil, filter, & electric heat.

5-Speed High Efficiency ECM Motor

Unit Size	Cooling Speed Setting	Airflow (CFM) vs. External Static Pressure (inches W.C.) ***				
		0.1	0.2	0.3	0.4	0.5
19	Tap 1	547	484	366	309	268
	* Tap 2	651	600	566	516	466
	Tap 3	695	646	617	566	544
	^ Tap 4	742	700	669	627	600
	Tap 5	758	712	682	641	625
25	Tap 1	569	453	347	264	264
	Tap 2	659	600	569	518	475
	* Tap 3	847	800	787	744	722
	^ Tap 4	928	901	883	846	802
	Tap 5	970	944	927	891	864
31	Tap 1	656	600	567	522	473
	Tap 2	842	800	782	739	716
	* Tap 3	1059	1028	1004	972	946
	^ Tap 4	1106	1084	1053	1030	1000
	Tap 5	1137	1108	1085	1055	1031
37	Tap 1	848	800	769	726	692
	Tap 2	1051	1028	1000	956	930
	* Tap 3	1247	1215	1188	1161	1126
	^ Tap 4	1310	1279	1254	1228	1200
	Tap 5	1364	1334	1304	1279	1250
39	Tap 1	800	783	747	725	689
	Tap 2	1034	1003	987	959	937
	* Tap 3	1281	1253	1228	1207	1186
	^ Tap 4	1343	1314	1290	1261	1226
	Tap 5	1367	1342	1312	1277	1239

* Factory setting for cooling.

^ Factory setting for heating.

*** All airflow data is with a dry coil, filter, & electric heat.

TOOLS AND PARTS NEEDED

Assemble the required tools and parts before starting installation. Read and follow the instructions provided with any tools listed here:

<i>1/4" Nut Driver</i>	<i>Tape Measure</i>
<i>Level</i>	<i>Hammer</i>
<i>Screw Driver</i>	<i>Sealant</i>
<i>Adjustable Wrench</i>	<i>UL Listed Wire Nuts</i>

Replacement Orifice (if needed; see "Metering Device")

Check local codes, check existing electrical supply, and read "Ductwork Requirements," and "Electrical Requirements," before purchasing parts.

The correct orifice size may be contained in the replacement orifice package located inside the control box of the outdoor unit. If this package does not contain the correct orifice for your air handler, you must purchase the correct orifice size.

INSTALLATION

Compact Wall Mount air handlers are suitable for free-air return when enclosed in a closet with a louvered door or flush mounted in a wall. *Units must always be installed with a casing.

Closet or "On the Wall" Applications (Figure 2)

Note: If mounted in a closet a louver or grill with at least 1 square foot of face area per cooling ton is required on the door.

A wall hanging bracket is included for this type of mounting. Attach bracket to wall so the "open" end faces up, make sure bracket is level and attached to the studs (2" x 8" blocking installed between studs at bracket height is recommended). 2" screws are required. Lift unit and slide the back edge of the top cap onto bracket.

Flush Mount or "In the Wall" Applications (Figure 3)

Recess air handler 2" to provide adequate space for drain line connections. If a flush application is desired, a notch will need to be cut in the stud to allow for primary drain access.

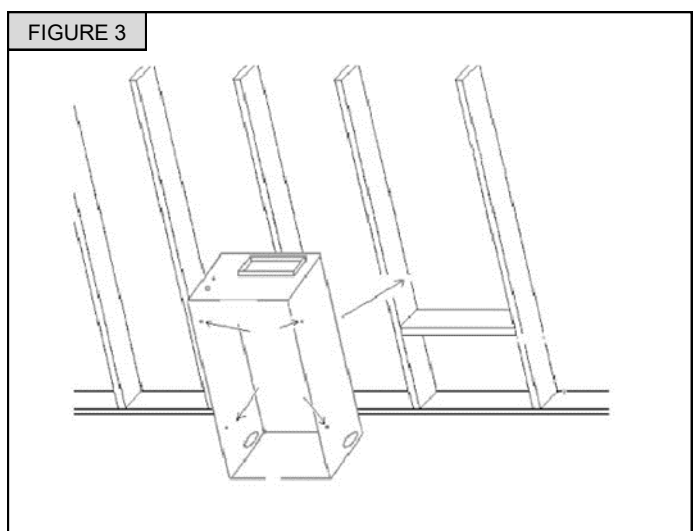
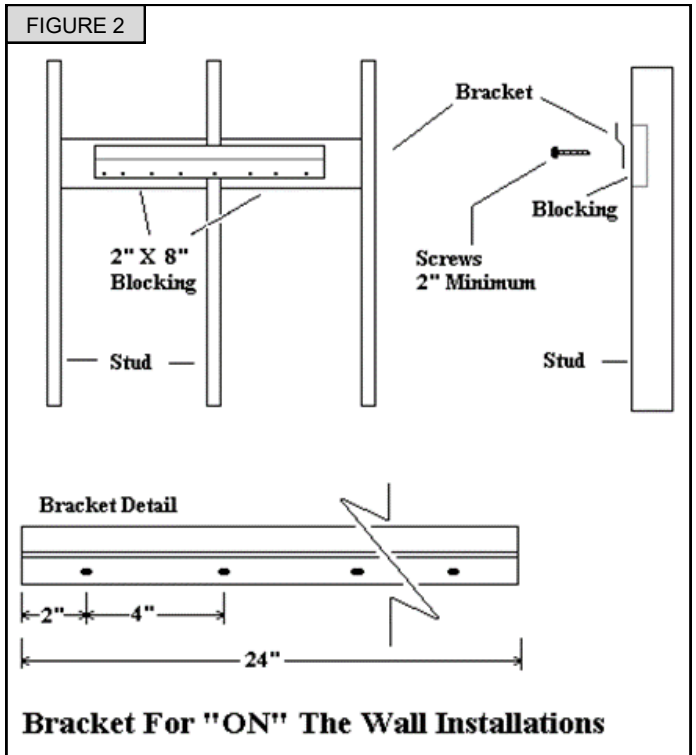
Do not allow the air handler to protrude beyond the front of the stud, this will interfere with the louvered wall grille application. Use the 2 holes on each side to attach between studs. Make sure air handler is level and square before proceeding

DUCTWORK

Ductwork should be fabricated and installed in accordance with local and/or national codes. This includes the standards of the National Fire Protection Association for installation of Air-Conditioning and Ventilating Systems, NFPA No. 90B.

The air handler is to be placed as close to the space to be air conditioned as possible. Ductwork should be run as directly as possible to the return and supply outlets.

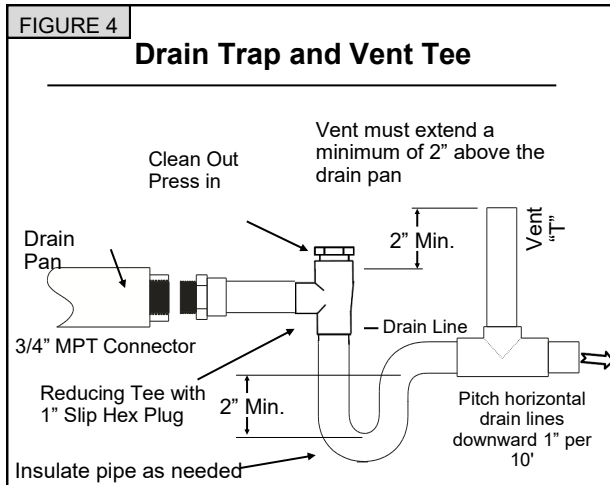
Use of nonflammable weatherproof flexible connectors on both supply and return connections at unit to reduce noise transmission is recommended.



INSTALL CONDENSATE DRAIN

Determine the drain connections to be used and note the difference between the primary and secondary openings. Remove plugs from selected drain openings. It is recommended that $\frac{3}{4}$ " male pipe thread PVC fittings be used at the condensate pan. **Hand tighten only!** ADP recommends thread sealant to be used on the PVC connector at the drain pan connection.

Tubing for all condensate drains should be a minimum of $\frac{7}{8}$ " OD. The drain should be pitched downward 1" per 10'. Install a trap as close to the coil as possible (2" minimum). Refer to figure 4.



Route drain line so that it does not interfere with accessibility to the coil, air handling system or filter and will not be exposed to freezing temperatures.

If line makes a second trap, or has an extended run before termination, a vent tee should be installed after the trap closest to the pan. Connect the primary drain and route to an open drain, sump, or sewer line.

CAUTION

If the coil is located in or above a living space where damage may result from condensate overflow, a separate $\frac{3}{4}$ " drain must be provided from the secondary drain connection (**or a Float Switch can be used - refer to kit instructions for installation procedures**). Run this drain to a place in compliance with local installation codes where it will be noticed when unit is operational. Condensate flowing from the secondary drain indicates a plugged primary drain.

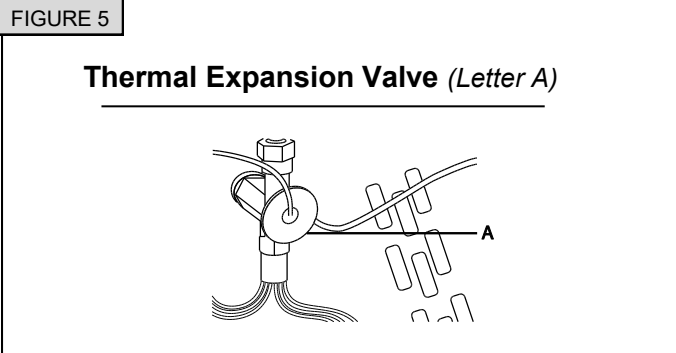
Prime the trap with water. Test line for leaks. Verify water flow with unit in operation.

Do not allow the drain pan coupling to support the weight of the drain line. Secure the drain line with a strap or other equivalent method to ensure the line is perpendicular to the face of the drain pan.

METERING DEVICE

Thermal Expansion Valve (TXV)

Factory Installed Expansion Valves: Sensing bulbs are factory installed and clamped to the suction line. For optimum performance, reattach and insulate the bulb at a 10 or 2 o'clock position outside of the cabinet to the main suction line no more than one foot from the suction line connection. If necessary, the bulb can be installed on a vertical suction line. In this instance, the bulb must be placed before any trap, with the bulb's capillary tube facing upward.



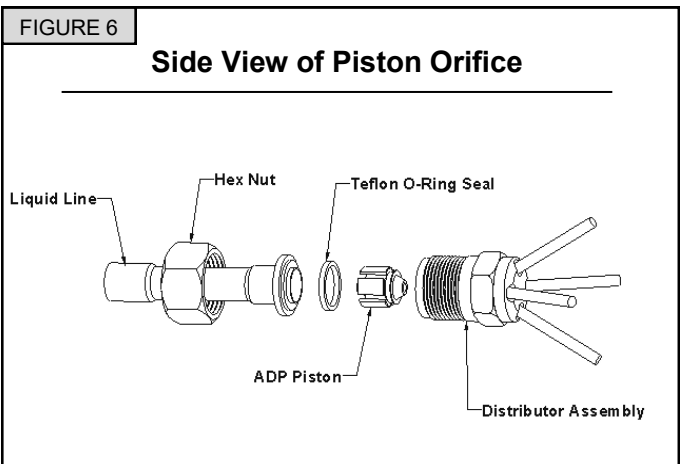
Pistons

IMPORTANT: For optimum performance, the piston should be sized to match the recommendation from the outdoor unit manufacturer. Consult the outdoor unit information to determine whether the indoor unit has the

correct orifice size.

When changing pistons, use the following procedure:

1. Loosen the hex nut located on liquid line and separate from distributor assembly.
2. Remove the existing piston from inside the distributor assembly.
3. Insert the desired piston into the distributor assembly.
4. Inspect Teflon O-Ring and replace if damaged. Ensure Teflon O-Ring is in place.
5. Re-install hex nut to body and torque to 10 ft-lbs.



REFRIGERANT PIPING

Refrigerant connections are 3/8" ODF Liquid and 3/4" ODF Suction. Refer to outdoor unit manufacturer's recommendation on line sizing. During brazing of refrigerant lines place a wet rag around suction line to protect cabinet or ceiling from overheating. Maintain a minimum of 1.5" from refrigerant brazing connections and cabinet or ceiling. Refer to nomenclature to determine type of flow control installed and needed for your application. Evaporator coils are shipped from the factory with florator pistons or TXV assemblies. Florator pistons and TXV kits are available for field conversion.

REFRIGERANT LINE INSTALLATION

Refrigerant lines must be connected by a licensed, EPA certified refrigerant technician in accordance with established procedures.

IMPORTANT:

- Connecting refrigerant lines must be clean, dehydrated, refrigerant-grade copper lines. Air handler coils should be installed only with specified line sizes for approved system combinations.
- Use care with the refrigerant lines during the installation process. Sharp bends or possible kinking in the lines will cause a restriction.
- Do not remove the caps from the lines or system connection points until connections are ready to be completed.

1. Route the suction and liquid lines from the fittings on the indoor coil to the fittings on the outdoor unit. Run the lines in a direct path, avoiding unnecessary turns and bends.
2. Ensure that the suction line is insulated over the entire exposed length and that both suction and liquid lines are not in direct contact with floors, walls, ductwork, floor

joists, or other piping.

3. Connect the suction and liquid line to the evaporator coil.
4. To avoid damaging the rubber grommets in the cabinet while brazing, slide the rubber grommets over the refrigerant lines until they are away from the heat source.
5. Braze with an alloy of silver or copper and phosphorus with a melting point above 1,100°F. **NOTE:** Do not use soft solder.
6. Reinstall the rubber grommets after brazing is finished.
7. Make sure the outdoor air conditioning unit has been put in place according to the Installation Instructions and is connected to the refrigerant lines.

ADP recommends installing a filter drier and sight glass in the liquid line. While brazing, purge the system with Nitrogen to prevent contamination. ADP recommends reattaching and insulating the TXV sensing bulb at a 10 to 2 o'clock position on the suction line, outside the coil housing, no more than one foot from the connection. Evacuate the system to 500 microns to ensure proper air and moisture removal (**Note: Deep evacuation or triple evacuation method recommended**). Open the suction service valve slowly and allow the refrigerant to bleed into the system before opening the liquid service valve.

REFRIGERANT CHARGING INSTRUCTIONS

When charging in cooling mode, the outdoor temperature should be 60°F or higher. To allow the pressures to stabilize, operate the system a minimum of 15 minutes between adjustments. When adjusting charge to systems with micro-channel outdoor coils, make small (1 ounce or less) adjustments as these systems are very sensitive to refrigerant charge.

TXV Charging^{2, 3, 4} – Use the charging method recommended by the outdoor unit instructions. Alternatively, ADP recommends charging to 12°F sub-cooling for AC units and 10°F sub-cooling for heat pump units. In addition, if equipped with an adjustable valve, adjust to 10°F superheat.

Fixed Orifice Charging^{2, 3, 4} – Use the superheat recommended by the outdoor unit instructions. Alternatively, ADP recommends charging to the superheat table below.

For heat pump units initially charged in the cooling mode, final adjustments to charge in the heating mode are acceptable if necessary. Some heat pump units require charging in the heating mode. In this case, refer to the outdoor instructions for recommended charging procedures.

If the system is undercharged after the initial charge, add refrigerant until the sight glass is clear and recommended pressures, temperatures, sub-cooling and superheat can be obtained. If the system is overcharged after the initial charge,

recover refrigerant until recommended pressures, temperatures, sub-cooling and superheat can be obtained.

Notes:

1. If any problems or questions regarding charge occur, contact customer service.
2. OEM charging methods vary depending on design and application. Verify all recommended pressures, temperatures, sub-cooling and superheat settings result in the proper charge.
3. ADP coils may require charge compensation due to size variation versus the OEM coil.
4. Temperatures are ±2°F unless otherwise recommended.

Models	Minimum Air flow Q_{min} (CFM)	Maximum allowed refrigerant charge in an installation (lbs)	
		R-454B	R-32
S-18, 24	606	22.4	23.2
S-30, 36	816	30.0	30.0
S-19	547	20.2	20.9
S-25	569	21.0	21.7
S-31	656	24.2	25.1
S-37	848	30.0	30.0
S-39	800	29.6	30.0

FILTERS

Filters are provided with unit, and must be installed in the return air system by the installer. A field installed filter grille is recommended for easy and convenient access to the filters for periodic inspection and cleaning. Filters must have adequate face area for the rated air quantity of the unit.

ELECTRICAL REQUIREMENTS

WARNING

Electrical Shock Hazard

Electrically ground electric heater.

Connect ground wire to ground terminal marked .

Use copper wire rated for supply connection.

Correct wire gauge is shown in the chart below.

Failure to follow these instructions can result in death or electrical shock.

NOTE: Use copper conductors only

- All field wiring must be done in accordance with National Electrical Code, applicable requirements of UL and local codes, where applicable.
- Electrical wiring, disconnect means and over-current protection are to be supplied by the installer. Refer to the air handler rating plate for maximum over-current protection, minimum circuit Ampacity, as well as operating voltage.
- The power supply must be sized and protected according to the specifications supplied on the product.
- This air handler is factory configured for 240 Volt, single phase, 60 cycles. For 208 Volt applications, see “208 Volt Conversion” in the “Make Electrical Connections” section.
- For optional electric heater applications refer to the instructions provided with the accessory for proper installation.

ELECTRICAL CONNECTIONS

1. Models with electric heat: Determine the number of circuits needed to supply the heater with electrical power. See the air handler Accessory Kit label for number of circuits and ratings.
2. Disconnect all power supplies.
3. Remove the control panel.
4. Using the pre-punched wiring holes, install UL listed wires and fittings.
5. Connect appropriate size wire to the pull disconnect terminals.
6. Connect green ground wire(or 2) to the ground
7. terminal(s) (1 or 2) marked .
8. Install conduit-opening plugs in any unused openings.
9. Reinstall the air handler control panel.
10. Reconnect power.
11. Dispose of all remaining parts.

WARNING

Electrical Shock Hazard

Disconnect all power supplies before servicing.

Replace all parts and panels before operating.

Failure to do so can result in death or electrical shock.

A2L LABEL INSTALLATION

Permanently mark the serial label with the appropriate A2L (R-454B & R-32) refrigerant & metering device used. See example below.

REFRIGERANT: FACTORY CONFIGURED FOR R-454B

● **FIELD INSTALLED AS R-454B**

FIELD CONFIGURED TO

○ **R-32**

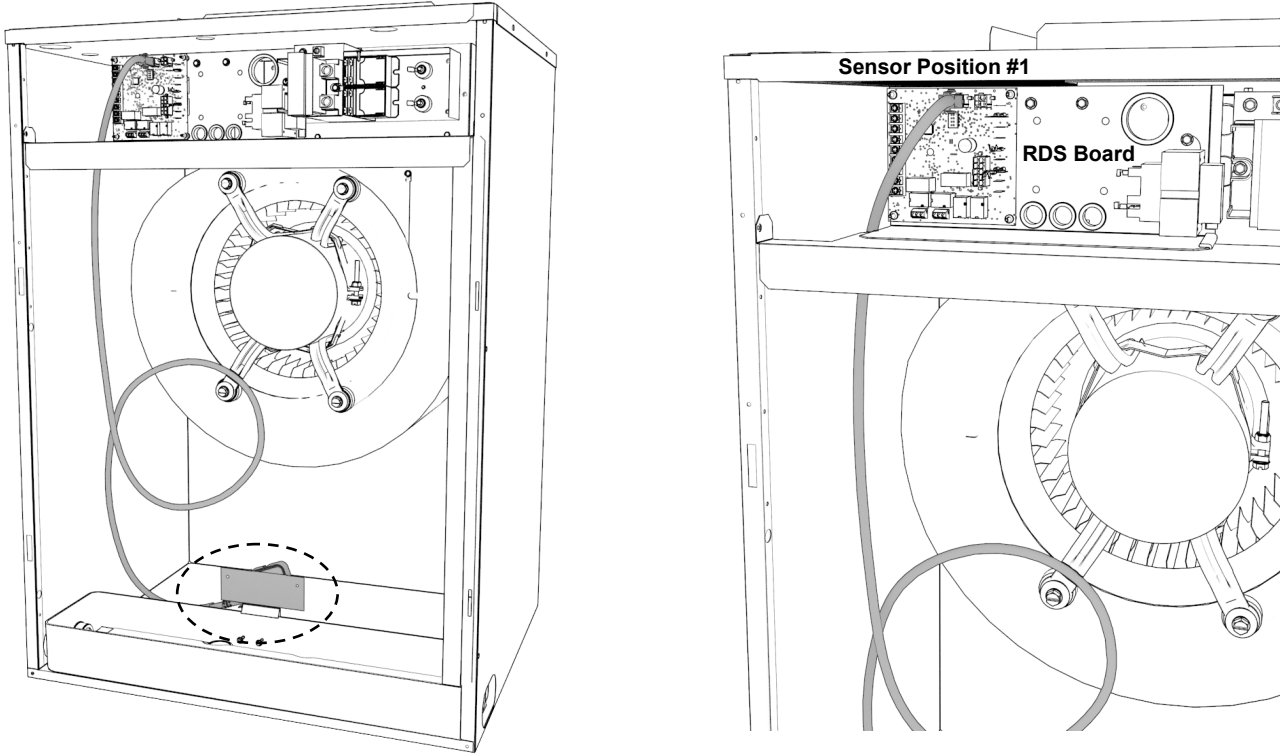
METERING DEVICE

● **TXV**

○ **PISTON**

A2L REFRIGERANT DETECTION SENSOR

A2L refrigerant sensors are assembled in the factory as shown in the images below. Sensor location must not be changed. When replacing the sensor due to failure, sensor must be assembled in the exact same location to ensure proper A2L refrigerant leak detection.



A2L REFRIGERANT DETECTION SYSTEM CONTROLLER

DIP SWITCH SETTINGS

Adjust the DIP switch settings to the sensor configuration. Failure to do so will cause faults on power-up.

Each DIP switch corresponds to a sensor position (i.e., DIP switch 1 to sensor 1; DIP switch 2 to sensor 2). The default factory switch positions are set to OFF. The RDSC software reads the OFF position as active. Setting the switch to ON disables the sensor position. The following table shows all possible configurations. Configurations other than the ones shown below will cause a servicing fault.

Configurations other than the ones shown below in table 1 will cause a servicing fault.

Configuration	DIP1	DIP2
One (1) sensor; in connector 1	OFF	ON
Two sensors; in connector 1, 2.	OFF	OFF

TABLE 1: DIP SWITCH SETTINGS

DIAGNOSTIC CODES

The RDSC is equipped with a light emitting diode (LED) found within its enclosure. The LED signals the state of the RDSC. See Table 2 and Table 3 to review the flash codes.

State	LED Flash Code	Action
Initializing	Flashing green	N/A
Monitoring	Solid green with blue flash	N/A
Mitigating (Leak Detected)	Flashing blue	Check coil tubes for leak. Repair the issue and restart the equipment.
Fault / Service	Solid blue, interrupted by issue code	Refer to RED LED DIAGNOSTIC CODES / TROUBLESHOOTING.

TABLE 2: LED FLASH CODES

Red Flash	Per Sensor	Issue	Action
1	Yes	Sensor Fault	Replace the Sensor
2	Yes	N/A	N/A
3	Yes	Incompatible sensor type	Replace with compatible sensor
4	Yes	Sensor communication issue	Check sensor connection. Ensure connection is clean and tight.
5	No	Bad relay/ bad wiring	Check for 24VAC power connection to the R terminal inputs on the RDSC. R-inputs must be energized for the RDSC to function.
6	No	Invalid configuration of sensor count	Verify the Dip switch setting is correct and matches the number of sensors being used.

TABLE 3: RED LED DIAGNOSTIC CODES / TROUBLESHOOTING

TEST BUTTON FUNCTIONALITY

The RDSC is equipped with a Test/Reset button. The Test button can be used to complete several functions, depending on the mode of operation of the RDSC. Table 4 lists the functions of the Test button during each mode of operation.

Mode of Operation	Short Press the Test Button to...
Normal	Trigger a leak detection response. Verify all equipment is wired correctly in to the RDSC (after installation).
Leak Detected	Reset the RDSC to a normal mode of operation after a previous leak has been detected and purged from the HVAC system.
Fault	Reset the RDSC after troubleshooting and resolving a fault condition. If the fault is not resolved, the RDSC will enter the Fault mode again.

TABLE 4: TEST BUTTON FUNCTIONALITY

ADDITIONAL FUNCTIONS OF THE TEST BUTTON

Table 5 lists the additional functions of the Test Button while the RDSC is functioning within the states of Initializing, Monitoring, Mitigating, Servicing and Fault.

STATE	PRESS	ACTION
Initializing	Short	If sensor enumeration is complete, skip remaining pre-purge.
Initializing	Long	Reset Control Board
Monitoring	Short	Clear purge-counter if prior mitigation has occurred; test mitigation
Monitoring	Long	Reset Control Board
Mitigating	Short	If testing mitigation, end test.
Servicing	Short	Re-evaluate fault condition—if cleared return to monitoring, otherwise update indicator.
Servicing	Long	Reset Control Board
Fault	Short	Re-evaluate fault condition—if cleared return to monitoring, otherwise update indicator.
Fault	Long	Reset Control Board

TABLE 5: ADDITIONAL TEST BUTTON FUNCTIONS

THERMOSTAT COMPATIBILITY

The following types of thermostats are compatible with the RDSC:

- Thermostats equipped with non-volatile memory
- Battery-powered thermostats
- Analog thermostats
- Smart thermostats
- Late-model programmable thermostats

Note: Digital and early-generation programmable thermostats may not operate if disconnected from power. These types of thermostats may not retain the operation mode and temperature setpoints.

The following are examples that are likely to occur when home occupants are not available to adjust the thermostat setpoints:

- Heating could be lost during a cold night.
- Cooling could be lost during a hot day.
- The thermostat could reset to an incorrect temperature setpoint.

Compatibility Verification

Complete the following process to determine whether the thermostat is compatible with the RDSC.

1. Note the thermostat's current setpoint and operating mode.
2. Power cycle the breaker to the furnace.

NOTE: Wait (5) minutes before supplying power to the furnace breaker.

3. Note whether the thermostat maintained its setpoints and operating mode.
 - a. If the thermostat maintained the settings, the thermostat is compatible with the RDSC.
 - b. If the thermostat did not maintain its setpoint and/or operating mode, the thermostat is not compatible with the RDSC. Recommend a compatible thermostat.

MODES OF OPERATION

The modes of operation for the RDSC are Initializing, Normal, Leak Detected, and Fault.

Initializing

The RDSC is establishing connection with the refrigerant detection sensor and is completing an initial (5) minute purge sequence.

Normal

The HVAC system is functioning normally. The RDSC has not detected a refrigerant leak.

Leak Detected

When the RDSC detects a refrigerant leak:

1. The RDSC shuts off the (R) input (24VAC power) to the thermostat, which de-energizes the outdoor unit compressor and heat sources, such as gas and/or electric strip heat. No heating or cooling demands will be met.
2. The RDSC activates the blower (high speed). The blower purges refrigerant from the cabinet, plenum, and ductwork.

3. After the RDSC determines the refrigerant levels are below the safety threshold, the blower will continue to function for an additional seven (7) minutes.
4. After the blower sequence is complete, the HVAC system resumes normal operation.

NOTE: *The HVAC system may not maintain a cooling or heating setpoint if a significant leak exists. Any refrigerant leaks that remain unaddressed for an extended time may cause the HVAC system to shut down on low refrigerant pressure limit condition.*

Fault

When a fault is detected within the RDSC, the furnace blower engages and remains engaged at a constant output until the RDSC is replaced.

START UP TEST PROCEDURE

The RDSC is equipped with a Test/Reset button, see "Test Button Functionality" on page 10. After the RDSC has been mounted and wired, restore power to the HVAC system. The system will then run through a purge sequence for (5) minutes. After the purge sequence is complete, proceed to testing cooling demand and heating demand.

Cooling Demand

1. Prompt a cooling demand at the thermostat.
2. Press the Test button on the RDSC. The system then executes a leak detection response.
3. Observe the following sequence:
 4. The LED indicator flashes the sequence for leak detection (flashing blue).
 5. The blower powers up.
 6. The outdoor compressor powers down.
7. Press the Test button to terminate the simulated Leak De-

tection mode upon test completion.

Heating Demand

1. Prompt a heating demand at the thermostat.
2. Observe the following sequence:
 - a. The LED indicator flashes the sequence for leak detection (flashing blue).
 - b. The blower powers up.
 - c. The gas burners power down.
 - d. The outdoor compressor powers down.

The installation of the RDSC is complete after both sequences are successfully completed.

ADDITIONAL APPLICATIONS

In zoned applications, all dampers will remain open when the RDSC is in Fault or Leak Detected mode. Normal heating and cooling demands are permissible, but the blower will remain engaged until the fault condition is addressed.

Zone HVAC System

If the RDSC is installed in a zone HVAC system, the RDSC will open all zone dampers if a leak is detected.

Note: Proper wiring of the zone panel to the RDSC is required for all zone dampers to open.

After the purge sequence is complete, the zone system will resume normal operation.

For proper wiring refer to damper IOM.

External Alarm

(For applications with external alarms wired directly to the RDSC)

The RDSC triggers the external alarm system when it enters the Leak Detected mode.

For proper wiring refer to Alarm IOM.

AIR HANDLER CHECKS

Check Blower Operation

1. Set thermostat to FAN ON.
2. The indoor blower should come on.

Check Electric Heater (if used)

1. Set thermostat to call for auxiliary heat (approximately 5°F above ambient temperature). The indoor blower and auxiliary heat should come on together. Allow a minimum of three minutes for all sequencers to cycle on.
2. Set the thermostat so it does not call for heat. Allow up to five minutes for all sequencers to cycle off.

	WARNING	
		
Electrical Shock Hazard		
Disconnect all power supplies before servicing.		
Replace all parts and panels before operating.		
Failure to do so can result in death or electrical shock.		

Check Airflow

Cooling Blower Speed:

- For proper cooling operation, the airflow through the indoor coil should be between 350 and 450 CFM per ton of cooling capacity (350 - 450 CFM per 12,000 BTU/HR) based on the rating of the outdoor unit.
- The cooling blower speed is factory configured to provide correct airflow for an outdoor unit that matches the maximum cooling capacity rating of the air handler.
- If the outdoor unit is smaller than the maximum cooling capacity rating for the air handler, the cooling blower speed may need to be changed. Refer to "Blower Performance Data."

IMPORTANT: The cooling blower speed must be set to provide a minimum of 350 CFM airflow per ton (12,000 BTU/HR) of outdoor cooling capacity.

FLAMMABLE REFRIGERANT DETECTION

Under no circumstances shall potential sources of ignition be used in the searching for or detection of refrigerant leaks.

A halide torch (or any other detector using a naked flame) shall not be used.

The following leak detection methods are deemed acceptable for all refrigerant systems.

Electronic leak detectors may be used to detect refrigerant leaks but, in the case of FLAMMABLE REFRIGERANTS, the sensitivity may not be adequate, or may need re-calibration. (Detection equipment shall be calibrated in a refrigerant-free area.) Ensure that the detector is not a potential source of ignition and is suitable for the refrigerant used. Leak detection equipment shall be set at a percentage of the LFL of the refrigerant and shall be calibrated to the refrigerant employed, and the appropriate percentage of gas (25 % maximum) is confirmed.

Leak detection fluids are also suitable for use with most refrigerants but the use of detergents containing chlorine shall be avoided as the chlorine may react with the refrigerant and corrode the copper pipe-work.

NOTE: Examples of leak detection fluids are

- bubble method,
- fluorescent method agents.

If a leak is suspected, all naked flames shall be removed/ extinguished.

If a leakage of refrigerant is found which requires brazing, all of the refrigerant shall be recovered from the system, or isolated (by means of shut off valves) in a part of the system remote from the leak. Removal of refrigerant shall be according to removal and evacuation procedure

REFRIGERANT RECOVERY

Before carrying out work on systems containing refrigerant, it is essential that the technician is completely familiar with the equipment and all its detail. It is recommended good practice that all refrigerants are recovered safely. Prior to the task being carried out, an oil and refrigerant sample shall be taken in case analysis is required prior to re-use of recovered refrigerant. It is essential that electrical power is available before the task is commenced. Steps to ensure this are: becoming familiar with the equipment and its operation, isolating the system electrically, ensuring that before attempting the procedure that mechanical handling equipment is available, if required, for handling refrigerant cylinders, and that all personal protective equipment is available and being used correctly while the recovery process is supervised at all times by a competent person and that the recovery equipment and cylinders conform to the appropriate standards.

Additionally, pump down refrigerant system, if possible, and if a vacuum is not possible, make a manifold so that refrigerant can be removed from various parts of the system. Make sure that cylinders are situated on the scales before recovery takes place. Start the recovery machine and operate in accordance with instructions. Do not overfill cylinders (no more than 80 % volume liquid charge). Do not exceed the maximum working pressure of the cylinder, even temporarily. When the cylinders have been filled correctly and the process completed, make sure that the cylinders and the equipment are removed from site promptly and all isolation valves on the equipment are closed off. Recovered refrigerant shall not be charged into another refrigerating system unless it has been cleaned and checked.

When removing refrigerant from a system, either for servicing or decommissioning, it is recommended good practice that all refrigerants are removed safely. When transferring refrigerant into cylinders, ensure that only appropriate refrigerant recovery cylinders are employed. Ensure that the correct number of cylinders for holding the total system charge is available. All cylinders to be used are designated for the recovered refrigerant and labelled for that refrigerant (i.e. special cylinders for the recovery of refrigerant). Cylinders shall be complete with pressure-relief valve and associated shut-off valves in good working order. Empty recovery cylinders are evacuated and, if possible, cooled before recovery occurs.

The recovery equipment shall be in good working order with a set of instructions concerning the equipment that is at hand and shall be suitable for the recovery of the flammable refrigerant. If in doubt, the manufacturer should be consulted. In addition, a set of calibrated weighing scales shall be available and in good working order. Hoses shall be complete with leak-free disconnect couplings and in good condition.

The recovered refrigerant shall be processed according to local legislation in the correct recovery cylinder, and the relevant waste transfer note arranged. Do not mix refrigerants in recovery units and especially not in cylinders.

If compressors or compressor oils are to be removed, ensure that they have been evacuated to an acceptable level to make certain that flammable refrigerant does not remain within the lubricant. The compressor body shall not be heated by an open flame or other ignition sources to accelerate this process. When oil is drained from a system, it shall be carried out safely.

AIR HANDLER MAINTENANCE

At the beginning of each heating season the unit should be serviced by a qualified installer or servicing agency.

When breaking into the refrigerant circuit to make repairs – or for any other purpose – conventional procedures shall be used. However, for flammable refrigerants it is important that best practice be followed, since flammability is a consideration. Safely remove refrigerant following local and national regulations.

The refrigerant charge shall be recovered into the correct recovery cylinders if venting is not allowed by local and national codes. For appliances containing flammable refrigerants, the system shall be purged with oxygen-free nitrogen to render the appliance safe for flammable refrigerants. This process might need to be repeated several times. Compressed air or oxygen shall not be used for purging refrigerant systems.

For appliances containing flammable refrigerants, refrigerants purging shall be achieved by breaking the vacuum in the system with oxygen-free nitrogen and continuing to fill until the working pressure is achieved, then venting to atmosphere, and finally pulling down to a vacuum (optional for A2L). This process shall be repeated until no refrigerant is within the system (optional for A2L). When the final oxygen-free nitrogen charge is used, the system shall be vented down to atmospheric pressure to enable work to take place. Ensure that the outlet for the vacuum pump is not close to any potential ignition sources and that ventilation is available.

ASSISTANCE OR SERVICE

If you need further assistance, you may contact us at the address below with any questions or concerns. Please include a daytime phone number in your correspondence.

Advanced Distributor Products
1995 Air Industrial Park Road
Grenada, MS 38901
www.adpnow.com

ADP AIR HANDLER LIMITED WARRANTY

Term of Warranty

Advanced Distributor Products (ADP) warrants that products sold shall be of merchantable quality, free of defects in material and workmanship, under normal use and service, for a period of five (5) years from the date of installation, **not** to exceed six (6) years from the date of manufacture subject to the terms of ADP's limited warranty.

For information on this product's warranty, including accessing complete warranty terms, registering for an extended warranty* or instructions on filing a warranty claim, please go to www.ADPwarranty.com.

** In such states or provinces where registration requirements are prohibited, failure to complete registration by the consumer does not diminish his or her warranty rights.*

Equipment Information

Please *complete information below and retain this warranty for records and future reference.*

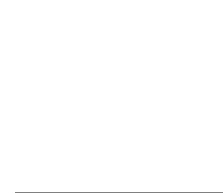
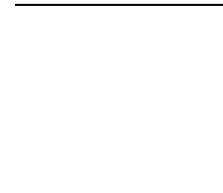
Unit Model Number: _____

Serial Number: _____

Installing Contractor: _____

Installation Date: _____

Phone: _____





2140 Lake Park Blvd, Richardson, TX 75080
www.adpnow.com



Instructions d'installation

Retour avant compact

Ventilo-convecteurs muraux

TABLEAU DE CONTENU	PAGE	PAGE	
Sécurité du ventilo-convecteur.....	1	Installation de la conduite de réfrigérant.....	14
Généralités.....	5	Instructions de charge du réfrigérant.....	14
Inspecter l'expédition.....	5	Filtres.....	15
Exigences d'installation.....	5	Exigences électriques.....	15
Schémas de câblage.....	6	Raccordements électriques.....	15
Connexions du thermostat.....	8	Installation de l'étiquette A2L.....	15
Données électriques.....	10	Capteur de détection de réfrigérant A2L.....	16
Données de rendement du ventilateur.....	11	Contrôleur du système de détection de réfrigérant A2L.....	16
Outils et pièces nécessaires.....	12	Vérifications du ventilo-convecteur.....	20
Installation.....	12	Détection des réfrigérants inflammables.....	20
Conduits.....	12	Récupération du réfrigérant.....	21
Installation du drain de condensat.....	13	Entretien du ventilo-convecteur.....	22
Dispositif de mesure.....	13	Assistance ou service.....	22
Conduite de réfrigérant.....	14	Garantie.....	23

SÉCURITÉ DU VENTILO-CONVECTEUR

CONSIDÉRATIONS DE SÉCURITÉ

Votre sécurité et celle des autres sont très importantes.

Nous avons fourni de nombreux messages de sécurité importants dans ce manuel et sur votre appareil. Toujours lire et respecter tous les messages de sécurité.



Il s'agit du symbole d'alerte de sécurité.

Ce symbole vous avertit des dangers potentiels qui peuvent vous tuer ou vous blesser, ainsi que d'autres personnes.

Tous les messages de sécurité suivent le symbole d'alerte de sécurité et le mot de signal. Ces mots signifient ce qui suit :

DANGER : Vous pouvez être **tué ou gravement blessé** si vous ne suivez pas immédiatement les instructions.

AVERTISSEMENT : Indiquer une situation potentiellement dangereuse qui, si elle n'est pas évitée, peut entraîner **la mort ou des blessures graves**.

ATTENTION : Indique une situation potentiellement dangereuse qui, si elle n'est pas évitée, peut entraîner **des blessures mineures ou modérées**. Des précautions peuvent également être prises pour prévenir les pratiques dangereuses.

AVIS : Indique une déclaration de politique de l'entreprise car le message concerne directement ou indirectement la sécurité du personnel ou la protection des biens.

IMPORTANT : Des informations plus détaillées concernant l'énoncé de la politique de l'entreprise car le message concerne directement ou indirectement la sécurité du personnel ou la protection des biens.

Tous les messages de sécurité vous indiqueront quel est le danger potentiel, vous indiqueront comment réduire le risque de blessure et vous indiqueront ce qui peut se passer si les instructions ne sont pas respectées.



ATTENTION



Cet appareil n'est pas conçu pour être utilisé par des personnes (y compris des enfants) ayant des capacités physiques, sensorielles ou mentales réduites, ou un manque d'expérience et de connaissances, sauf si elles ont été surveillées ou que des instructions ont été données concernant l'utilisation de l'appareil par une personne responsable de leur sécurité. Les enfants doivent être surveillés pour s'assurer qu'ils ne jouent pas avec l'appareil.



L'amélioration des produits est un processus continu chez Advanced Distributor Products. Par conséquent, les spécifications du produit peuvent être modifiées sans préavis et sans obligation de notre part. Veuillez contacter votre représentant ou distributeur ADP pour vérifier les détails.

© par Advanced Distributor Products. Tous droits réservés.

SÉCURITÉ DU MANUTENEUR D'AIR

IMPORTANT

Cette unité est un CLIMATISEUR À UNITÉ PARTIELLE, conforme aux exigences de la présente norme, et ne doit être connectée qu'à d'autres unités qui ont été confirmées comme étant conformes aux exigences de la présente norme UL 60335-2-40/CSA C22.2 n° 60335-2-40 ou UL 1995/CSA C22.2 n° 236.

IMPORTANT

Le Clean Air Act de 1990 interdit l'évacuation intentionnelle du réfrigérant (CFC et HFC). Les méthodes de récupération approuvées doivent être respectées. Des amendes et/ou des peines d'emprisonnement peuvent être imposées en cas de non-conformité.

IMPORTANT

Cette unité est une UNITÉ PARTIELLE; elle ne doit être connectée qu'à un appareil utilisant le même réfrigérant que celui indiqué sur la plaque signalétique de cette unité.

AVIS

Système de détection des fuites installé. L'unité doit être sous tension, sauf pour l'entretien

IMPORTANT

En plus des procédures de charge conventionnelles, les exigences suivantes doivent être respectées.

1. S'assurer que les différents réfrigérants ne sont pas contaminés lors de l'utilisation de l'équipement de charge. Les flexibles ou les conduites doivent être aussi courts que possible pour minimiser la quantité de réfrigérant qu'ils contiennent.
2. Les bouteilles doivent être maintenues dans une position appropriée conformément aux instructions.
3. S'assurer que le SYSTÈME DE RÉFRIGÉRATION est mis à la terre avant de charger le système de réfrigérant.
4. Étiqueter le système une fois la charge terminée
5. Prendre soin de ne pas trop remplir le SYSTÈME DE RÉFRIGÉRATION. Avant de recharger le système, il doit être soumis à un essai de pression avec du gaz de purge approprié. Le système doit faire l'objet d'un test de fuite une fois la charge terminée, mais avant la mise en service. Un test de suivi des fuites doit être effectué avant de quitter le site.

IMPORTANT

Une installation, un réglage, une modification, une maintenance et/ou un entretien incorrects peuvent entraîner des dommages matériels ou des blessures graves, voire mortelles. L'installation et l'entretien doivent être assurés par un installateur de CVAC professionnel certifié ou l'équivalent, une société de service ou le fournisseur du gaz.

ATTENTION

Tout le personnel d'entretien chargé de l'installation, de la mise hors service ou de l'entretien de l'unité doit être correctement formé aux réfrigérants A2L.

AVIS

Les composantes électriques étanches doivent être remplacées et non réparées.

AVIS

Les composantes à sécurité intrinsèque doivent être remplacées et non réparées.

THIS UNIT REQUIRES SERVICE EQUIPMENT COMPATIBLE WITH R-454B REFRIGERANT

R-454B

REFRIGERANT SAFETY GROUP A2L

67684001

THIS UNIT REQUIRES SERVICE EQUIPMENT COMPATIBLE WITH R-32 REFRIGERANT

R-32

REFRIGERANT SAFETY GROUP A2L

67684101

AVERTISSEMENT

Ne pas utiliser de moyens pour accélérer le processus de dégivrage ou pour nettoyer d'autres produits que ceux recommandés par le fabricant. L'appareil doit être stocké dans une pièce sans sources d'allumage en fonctionnement continu (flammes nues, appareil au gaz en fonctionnement ou aérotherme électrique en fonctionnement, par exemple. Ne pas percer ou brûler. Sachez que les réfrigérants peuvent ne pas contenir d'odeur.

ATTENTION

L'équipement doit être étiqueté en indiquant qu'il a été mis hors service et vidangé de réfrigérant. L'étiquette doit être datée et signée. Pour les appareils contenant des réfrigérants inflammables, s'assurer que des étiquettes indiquent que l'équipement contient du réfrigérant inflammable.

AVIS

S'assurer que le câblage n'est pas sujet à l'usure, à la corrosion, à une pression excessive, à des vibrations, à des bords coupants ou à tout autre effet environnemental indésirable.

SÉCURITÉ DU MANUTENTEUR D'AIR



IMPORTANT



Le travail doit être effectué selon une procédure contrôlée afin de minimiser le risque de présence d'un gaz ou d'une vapeur inflammable pendant l'exécution du travail.



AVIS



Tout le personnel d'entretien et les autres doivent éviter de travailler dans des espaces confinés.



IMPORTANT



La zone doit être vérifiée avec un détecteur de réfrigérant approprié avant et pendant le travail, pour s'assurer que le technicien est conscient des atmosphères potentiellement toxiques ou inflammables. S'assurer que l'équipement de détection des fuites utilisé peut être utilisé avec tous les réfrigérants applicables, c'est-à-dire sans étincelles, correctement étanchéifiés ou intrinsèquement sûrs.



IMPORTANT



Si un travail à chaud doit être effectué sur l'équipement de réfrigération ou toute pièce associée, un équipement d'extinction d'incendie approprié doit être disponible. Ayez un extincteur à poudre sèche ou à CO₂ à côté de la zone de charge.



ATTENTION



Aucune personne effectuant des travaux en lien avec un système de réfrigération qui implique l'exposition à des conduites ne doit utiliser de source d'allumage de manière à ce qu'elle puisse entraîner un risque d'incendie ou d'explosion. Toutes les sources d'allumage possibles, y compris la fumée de cigarette, doivent être suffisamment éloignées du site d'installation, de réparation, de retrait et d'élimination, au cours duquel du réfrigérant peut être évacué dans l'espace environnant. Avant d'entreprendre le travail, la zone autour de l'équipement doit être inspectée pour s'assurer qu'il n'y a pas de dangers inflammables ou d'allumage. Les panneaux « Pas de fumée » doivent être affichés.



IMPORTANT



S'assurer que la zone est ouverte ou qu'elle est correctement ventilée avant de pénétrer dans le système ou d'effectuer un travail à chaud. Un degré de ventilation doit se poursuivre pendant la période pendant laquelle le travail est effectué.



ATTENTION



Certains savons utilisés pour la détection des fuites ont un effet corrosif sur certains métaux. Rincer soigneusement la canalisation une fois le test de fuite terminé. Ne pas utiliser d'allumettes, de bougies, de flamme ou d'autres sources d'allumage pour vérifier l'absence de fuites de gaz.



IMPORTANT



Lorsque les composantes électriques sont remplacées, elles doivent être adaptées à l'usage et aux spécifications correctes. Les directives d'entretien et d'entretien du fabricant doivent toujours être respectées. En cas de doute, consulter le service technique du fabricant pour assistance. Les vérifications suivantes doivent être appliquées aux installations utilisant des RÉFRIGÉRANTS INFLAMMABLES, le cas échéant.

1. La charge réelle de réfrigérant est conforme à la taille de la pièce dans laquelle les pièces contenant du réfrigérant sont installées.
2. Les sorties et les machines de ventilation fonctionnent correctement et ne sont pas obstruées.
3. Si un circuit de réfrigération indirect est utilisé, le circuit secondaire doit être vérifié pour détecter la présence de réfrigérant.
4. Les repères sur l'équipement continuent d'être visibles et lisibles. Les marquages et les signes illisibles doivent être corrigés.
5. Les conduites ou composantes de réfrigération sont installées dans une position où il est peu probable qu'elles soient exposées à une substance qui peut corroder les composantes contenant du réfrigérant, sauf si les composantes sont fabriquées dans des matériaux qui sont intrinsèquement résistants à la corrosion ou sont convenablement protégés contre la corrosion.



ATTENTION



La réparation et l'entretien des composantes électriques doivent comprendre des vérifications de sécurité initiales et des procédures d'inspection des composantes telles que le déchargement sécuritaire des condensateurs afin d'éviter toute possibilité d'étincelles, l'absence d'exposition des composantes et du câblage électriques sous tension pendant la charge, la récupération ou la purge du système et la continuité de la mise à la terre. En cas de défaillance qui pourrait compromettre la sécurité, aucune alimentation électrique ne doit être connectée au circuit tant qu'elle n'est pas traitée de manière satisfaisante. Si la défaillance ne peut pas être corrigée immédiatement mais qu'il est nécessaire de continuer à fonctionner, une solution temporaire adéquate doit être utilisée pour signaler le problème au propriétaire de l'équipement, de manière à ce que toutes les parties soient informées.



AVIS



L'altitude maximale d'application est de 3 200 m au-dessus du niveau de la mer.



AVIS



Une fois les conduites installées pour les systèmes en deux parties terminées, les conduites sur place doivent être soumises à un essai de pression avec un gaz inerte d'au moins 450 psig, puis testées sous vide avant la charge du réfrigérant.



AVIS



L'étanchéité des joints réfrigérants fabriqués sur place à l'intérieur doit être testée. La méthode d'essai doit avoir une sensibilité de 5 grammes par an de réfrigérant ou mieux sous une pression d'au moins 0,25 fois la pression maximale autorisée. Aucune fuite ne doit être détectée.

SÉCURITÉ DU MANUTENTEUR D'AIR

AVERTISSEMENT

Les dispositifs auxiliaires qui peuvent être une source d'allumage potentielle ne doivent pas être installés dans les gaines. Exemples de sources d'allumage potentielles : surfaces chaudes ayant une température supérieure à 700 °C et dispositifs de commutation électrique.

AVERTISSEMENT

Pour les appareils utilisant des réfrigérants A2L connectés par un système de gaines d'air à une ou plusieurs pièces, seuls les dispositifs auxiliaires approuvés par le fabricant de l'appareil ou déclarés appropriés avec le réfrigérant doivent être installés dans les gaines de raccordement.

AVERTISSEMENT

Si cet appareil conditionne un espace dont la surface est inférieure à la TA_{mini} comme défini par les instructions, cet espace doit être exempt de flammes nues en continu (par exemple, un appareil au gaz en fonctionnement) ou d'autres sources d'allumage potentielles (par exemple, un aérotherme électrique en fonctionnement ou une surface chaude similaire). Un dispositif produisant des flammes peut être installé dans le même espace si le dispositif est équipé d'un système d'arrêt des flammes efficace.

AVIS

Tout le personnel d'entretien et les autres personnes travaillant dans la région doivent être informés de la nature du travail effectué en évitant de travailler dans des espaces confinés.

AVERTISSEMENT

Pour les appareils raccordés à des gaines, des faux plafonds ou des faux plafonds peuvent être utilisés comme plénum de retour d'air si un **SYSTÈME DE DÉTECTION DU RÉFRIGÉRANT** est fourni avec l'appareil et que toutes les connexions extérieures sont également fournies avec un capteur immédiatement en dessous du joint du conduit du plénum de retour d'air.

AVIS

Les canalisations, y compris les matériaux des canalisations, l'acheminement et l'installation, doivent inclure une protection contre les dommages physiques en fonctionnement et en service, et doivent être conformes aux codes et normes nationaux et locaux, tels que ASHRAE 15, ASHRAE 15.2, IAPMO Uniform Mechanical Code, ICC International Mechanical Code ou CSA B52. Tous les joints sur place doivent être accessibles pour inspection avant d'être recouverts ou enfermés.

Les ventilo-convecteurs utilisant des réfrigérants A2L (R-454B et R-32) installés à l'altitude du sol du bâtiment doivent respecter les exigences minimales indiquées ci-dessous.

	3	5	10	15	20	25	30
Charge de réfrigérant R-454B/ R-32 (lb)	3	5	10	15	20	25	30
Charge de réfrigérant R-454B/ R-32 (kg)	1,4	2,3	4,5	6,8	9,1	11,3	13,6
ZONE CLIMATISÉE MINIMALE (pi^2)	45	75	150	225	300	375	450
ZONE CLIMATISÉE MINIMALE (m^2)	4,2	7,0	13,9	20,9	27,9	34,8	41,8

Les exigences minimales de la zone conditionnée doivent être modifiées en multipliant par le facteur de réglage de l'altitude (AF) pour une installation à des altitudes plus élevées (H_{alte}). Les tableaux ci-dessous indiquent les valeurs AF pour différentes altitudes en mètres.

H_{alte} (MÈTRES)	0 - 600	800	1000	1200	1400	1600	1800	2000	2200	2400	2600	3000	3200
AF	1,00	1,02	1,05	1,07	1,10	1,12	1,15	1,18	1,21	1,25	1,28	1,36	1,40

GÉNÉRALITÉS

Ces instructions sont données à titre indicatif uniquement et ne remplacent en aucun cas les codes nationaux ou locaux. Le respect de tous les codes locaux, provinciaux ou nationaux relatifs à ce type d'équipement doit être déterminé avant l'installation.

Lire l'intégralité de ce manuel d'instructions ainsi que les instructions fournies avec l'équipement séparé avant de commencer l'installation.

Tous les modèles sont conçus pour une installation intérieure uniquement.

L'installation du ventilo-convecteur, du câblage sur place, des conduits d'air chaud, etc. doit être conforme aux exigences du Code national de l'électricité, ANSI/NFPA no. 70 (dernière édition) aux États-Unis, ainsi qu'aux lois d'État et ordonnances locales (y compris les codes de plomberie ou des eaux usées). Les autorités compétentes locales doivent être consultées avant l'installation. De telles réglementations ou exigences applicables ont préséance sur les instructions générales de ce manuel.

Installer le plénum d'air conditionné, les gaines et les filtres à air (non fournis) conformément à la norme NFPA 90B relative à l'installation des systèmes de chauffage et de climatisation à air chaud (dernière édition).

Ne pas retirer les ouvertures défonçables de l'enceinte avant d'avoir déterminé quelles ouvertures défonçables doivent être retirées pour l'installation.

Choisir la position d'installation finale qui convient le mieux aux conditions du site. Tenir compte des dégagements obligatoires, de l'espace, des exigences d'acheminement de la conduite de réfrigérant, de l'évacuation du condensat, des filtres, du système de conduits, du câblage et de l'accessibilité pour l'entretien. Se reporter à la plaque signalétique du ventilo-convecteur pour des informations spécifiques.

INSPECTER L'EXPÉDITION

Tous les ventilo-convecteurs sont testés. Chaque unité comprend un ensemble ventilateur, un serpentin de réfrigérant et des contrôleurs, dans une enceinte isolée finie en usine. Des détonations sont fournies pour l'entrée du câblage d'étalonnage électrique.

1. Vérifier la plaque signalétique d'unité pour confirmer que les spécifications sont conformes à la commande.
2. À la réception de l'équipement, l'inspecter soigneusement pour déterminer s'il a été endommagé pendant le transport. Prendre soin d'examiner l'unité si le carton est endommagé.

En cas de dégâts, ces dégâts doivent être indiqués sur la liste de colisage du transporteur. Les demandes de dommages doivent être déposées immédiatement auprès du carrier. Les demandes de pénurie doivent être déposées auprès du vendeur dans un délai de 5 jours.

REMARQUE : Si des dommages sont découverts et signalés au carrier, ne pas installer l'unité car votre réclamation peut être refusée.

EXIGENCES D'INSTALLATION

L'installation du ventilo-convecteur, du câblage sur place, des conduits d'air chaud, etc. doit être conforme aux exigences du Code national de l'électricité, ANSI/NFPA no. 70 (dernière édition) aux États-Unis, ainsi qu'aux lois d'État et ordonnances locales (y compris les codes de plomberie ou des eaux usées). Les autorités compétentes locales doivent être consultées avant l'installation. De telles réglementations ou exigences applicables ont préséance sur les instructions générales de ce manuel.

Installer le plénum d'air conditionné, les gaines et les filtres à air (non fournis) conformément à la norme NFPA 90B relative à l'installation des systèmes de chauffage et de climatisation à air chaud (dernière édition).

Cette unité est soumise au respect des dégagements par rapport aux matières combustibles indiqués sur la plaque signalétique de l'appareil. Les dégagements d'accessibilité et d'entretien doivent prévaloir sur les dégagements des matériaux combustibles.

EXIGENCES DU SYSTÈME EXTÉRIEUR

Le ventilo-convecteur est conçu pour être utilisé avec des unités extérieures homologuées AHRI. Les sections intérieures sont fabriquées avec un dispositif de mesure du réfrigérant interchangeable pour assurer un contrôle optimal du réfrigérant

et une performance optimale du système avec différentes capacités d'unités extérieures. Dans certains cas, le indice AHRI peut exiger que le dispositif de mesure du réfrigérant du ventilo-convecteur soit changé pour obtenir un rendement nominal.



AVERTISSEMENT



Choc électrique

Couper l'alimentation électrique avant de procéder à l'entretien.



Remettre toutes les pièces et panneaux en place avant de les utiliser.

Mettre le ventilo-convecteur à la terre.

Connecter le fil de terre à la borne de terre marquée.

Le non-respect de cette consigne peut entraîner la mort ou un choc électrique.

Danger d'explosion

Tenir les matériaux et vapeurs inflammables, comme l'essence, à l'écart de cette unité.

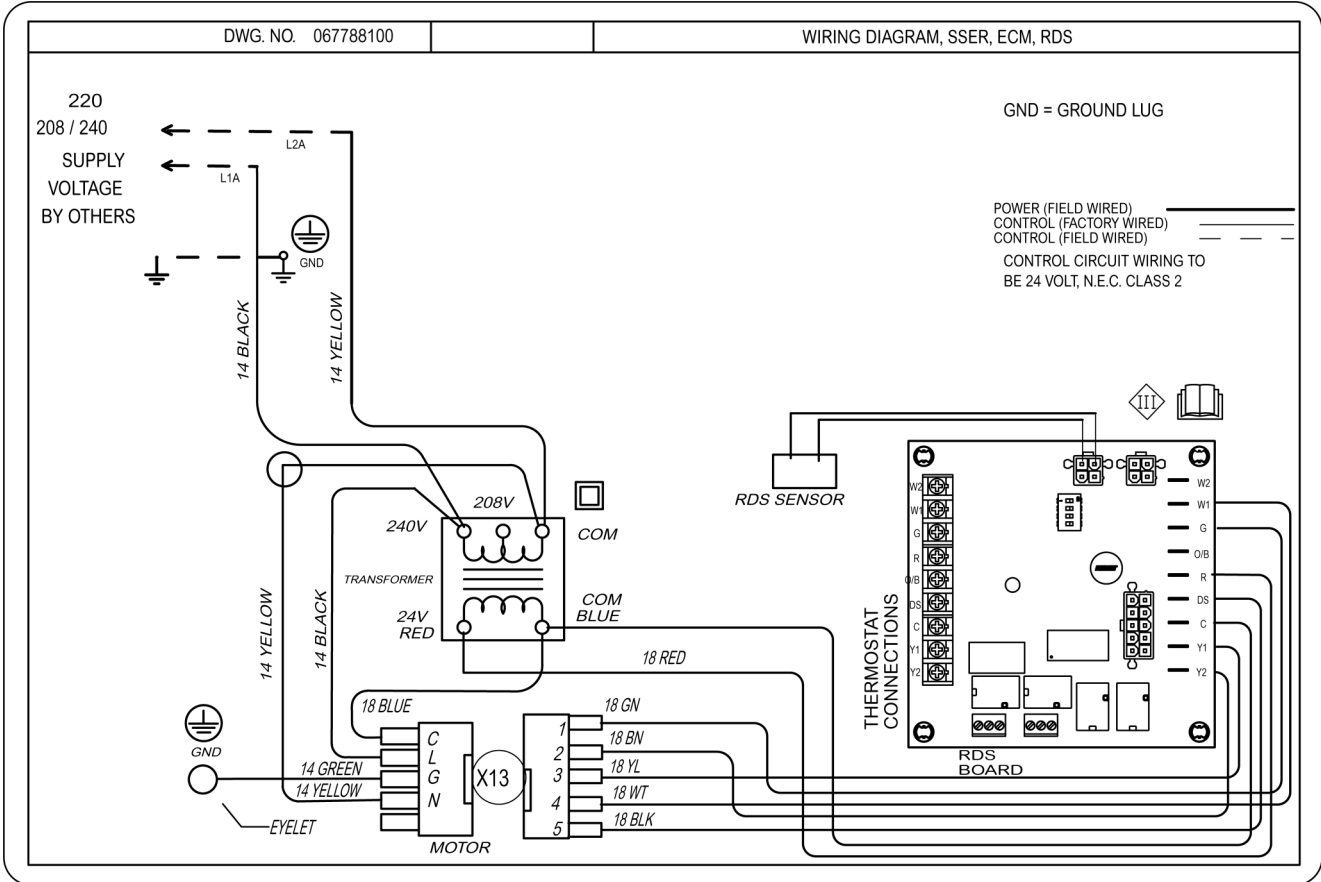


Placer cette unité de manière à ce que les éléments chauffants soient à au moins 18 po (46 cm) au-dessus du sol pour une isolation dans le garage.

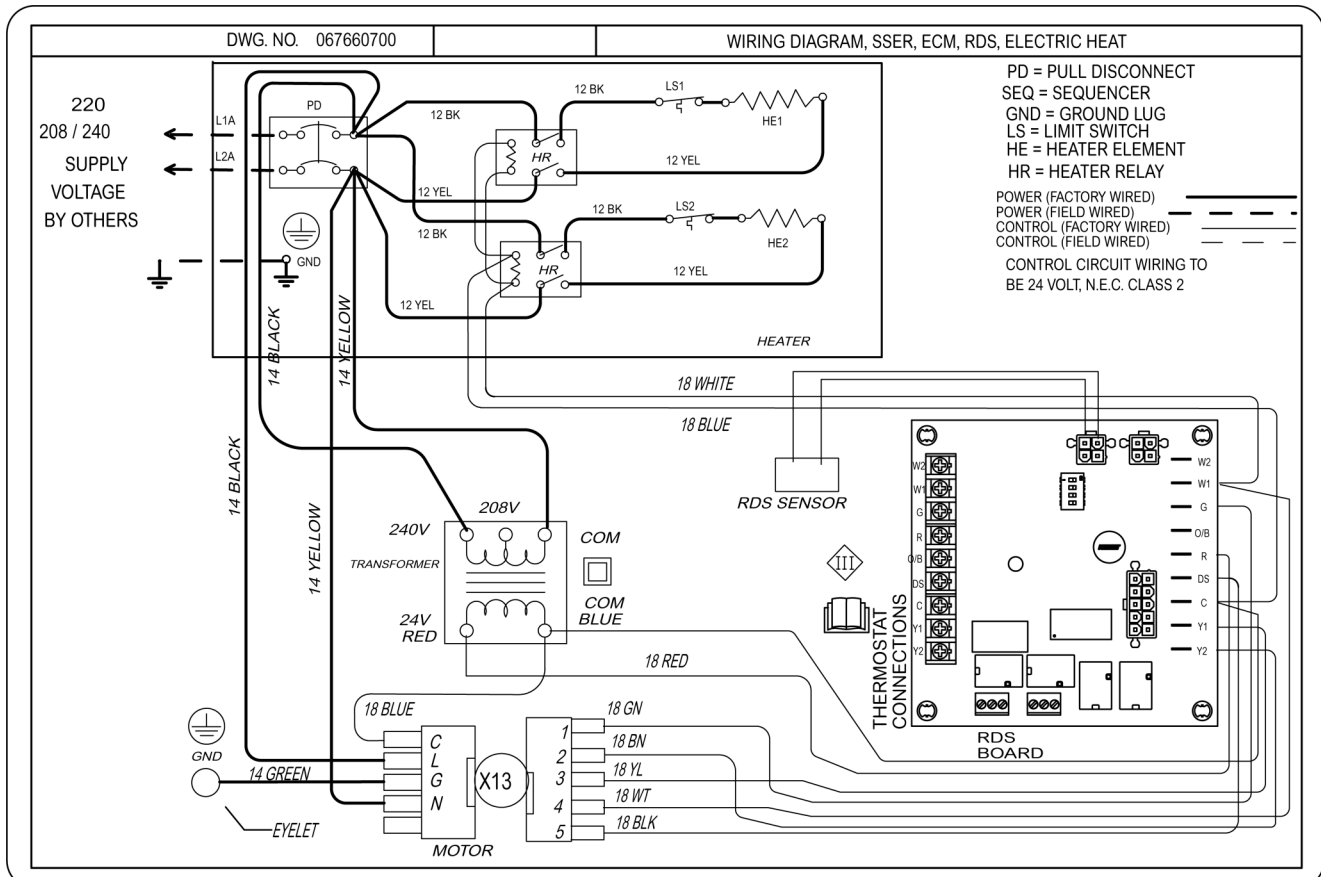
Le non-respect de ces instructions peut entraîner la mort, une explosion ou un incendie.

SCHÉMA DE CÂBLAGE

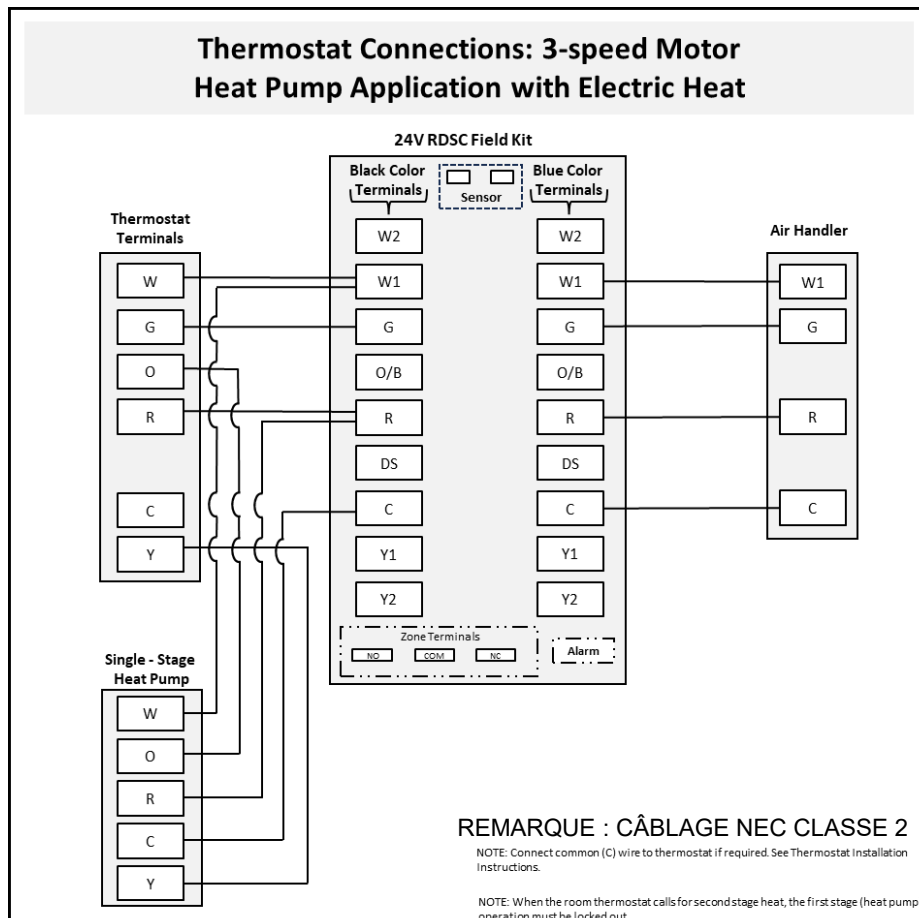
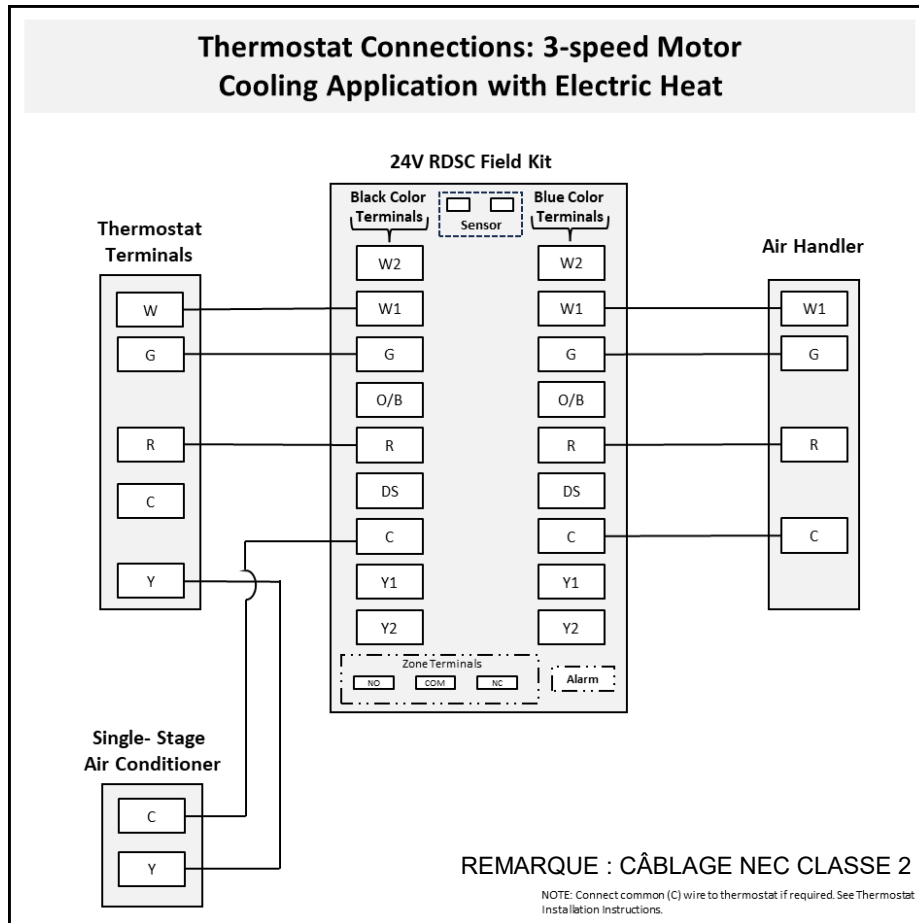
MOTEUR ECM À 5 VITESSES (PAS DE CHAUFFAGE)



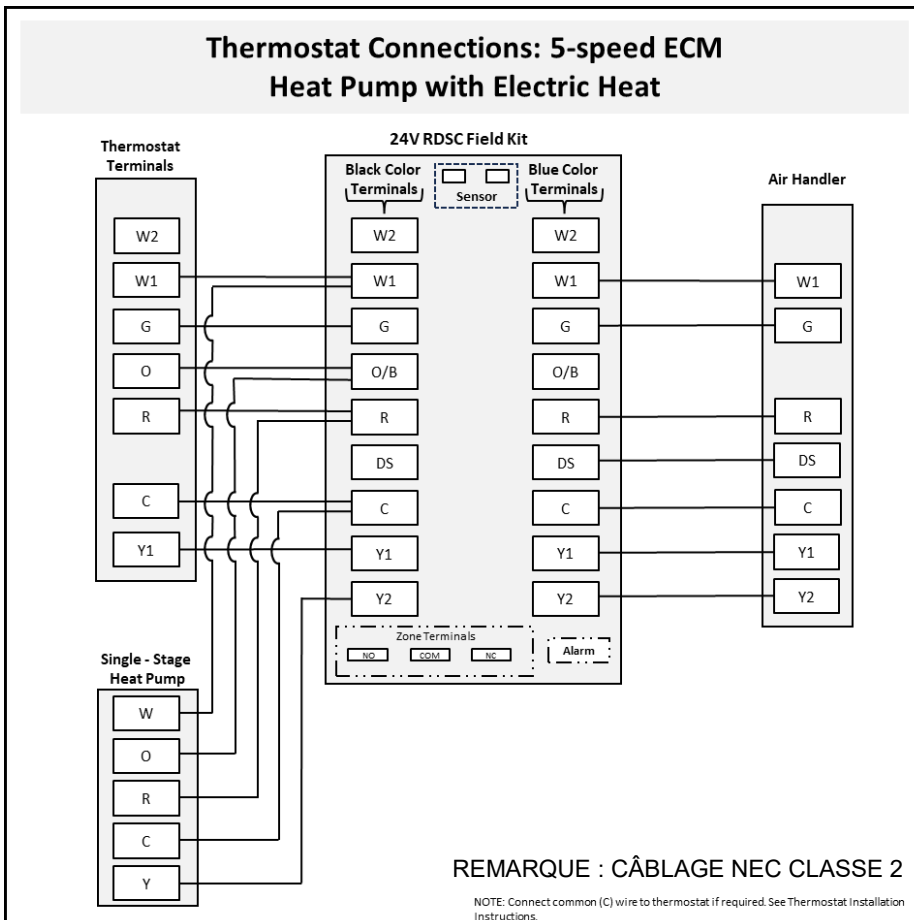
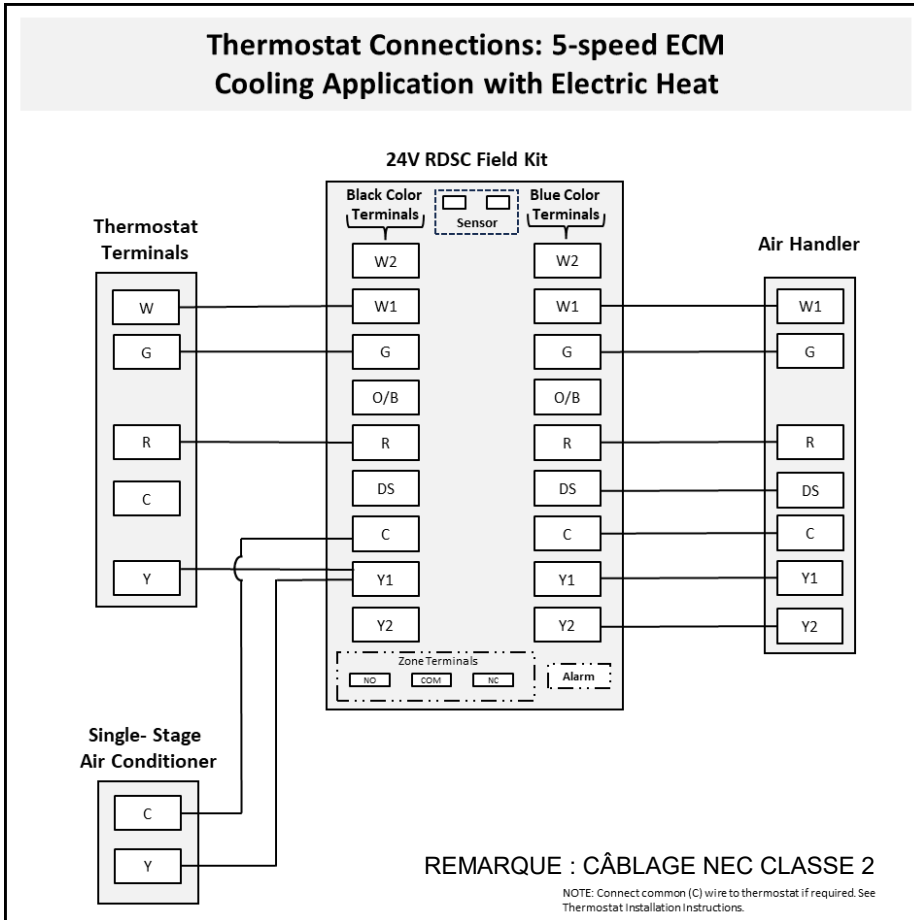
MOTEUR ECM À 5 VITESSES (AVEC CHAUFFAGE ÉLECTRIQUE)



CONNEXIONS DU THERMOSTAT BASSE TENSION



CONNEXIONS DU THERMOSTAT BASSE TENSION



DONNÉES ÉLECTRIQUES

Moteur PSC à 3 vitesses

Taille de l'unité (Tous ont un chauffage électrique)	Capacité de chauffage		Courant ventilateur (A)		Courant total (A)		Ampérage minimum du circuit (A)		Taille maximale du disjoncteur	
	kW	BTUH							Par stage (A)	
			240 V ^[1]	240 V ^[1]	208 V	240 V	208 V	240 V	208 V	240 V
18	0	0	1,8	1,7	1,8	1,7	2,3	2,1	15	15
	5	17,061	1,8	1,7	19,9	22,5	24,8	28,2	25	30
	7,5	25,591	1,8	1,7	28,9	33,0	36,1	41,2	40	45
	10	34,121	1,8	1,7	37,9	43,4	47,4	54,2	50	60
24	0	0	1,8	1,7	1,8	1,7	2,3	2,1	15	15
	5	17,061	1,8	1,7	19,9	22,5	24,8	28,2	25	30
	7,5	25,591	1,8	1,7	28,9	33,0	36,1	41,2	40	45
	10	34,121	1,8	1,7	37,9	43,4	47,4	54,2	50	60
30	0	0	2,1	2	2,1	2,0	2,6	2,5	15	15
	5	17,061	2,1	2	20,2	22,8	25,2	28,5	30	30
	7,5	25,591	2,1	2	29,2	33,3	36,5	41,6	40	45
	10	34,121	2,1	2	38,2	43,7	47,8	54,6	50	60
36	0	0	2,1	2	2,1	2,0	2,6	2,5	15	15
	5	17,061	2,1	2	20,2	22,8	25,2	28,5	30	30
	7,5	25,591	2,1	2	29,2	33,3	36,5	41,6	40	45
	10	34,121	2,1	2	38,2	43,7	47,8	54,6	50	60

[1] Pour 208 volts, utiliser un facteur de correction de 0,751 pour kW et MBTUH.

Moteur ECM haute efficacité 5-Speed

Taille de l'unité (Tous ont un chauffage électrique)	Capacité de chauffage		Courant ventilateur (A)		Courant total (A)		Ampérage minimum du circuit (A)		Taille maximale du disjoncteur	
	kW	BTUH							Par stage (A)	
			240 V ^[1]	240 V ^[1]	208 V	240 V	208 V	240 V	208 V	240 V
19	0	0	0,9	0,8	0,9	0,8	1,1	1,0	15	15
	5	17,061	0,9	0,8	19,0	21,6	23,7	27,0	25	30
	7,5	25,591	0,9	0,8	28,0	32,1	35,0	40,1	35	45
	10	34,121	0,9	0,8	37,0	42,5	46,3	53,1	50	60
25	0	0	1,8	1,7	1,8	1,7	2,3	2,1	15	15
	5	17,061	1,8	1,7	19,9	22,5	24,8	28,2	25	30
	7,5	25,591	1,8	1,7	28,9	33,0	36,1	41,2	40	45
	10	34,121	1,8	1,7	37,9	43,4	47,4	54,2	50	60
31	0	0	2,4	2,2	2,4	2,2	3,0	2,8	15	15
	5	17,061	2,4	2,2	20,5	23,0	25,6	28,8	30	30
	7,5	25,591	2,4	2,2	29,5	33,5	36,9	41,8	40	45
	10	34,121	2,4	2,2	38,5	43,9	48,1	54,8	50	60
37	0	0	3,1	2,9	3,1	2,9	3,9	3,6	15	15
	5	17,061	3,1	2,9	21,2	23,7	26,4	29,7	30	30
	7,5	25,591	3,1	2,9	30,2	34,2	37,7	42,7	40	45
	10	34,121	3,1	2,9	39,2	44,6	49,0	55,7	50	60
39	0	0	3,1	2,9	3,1	2,9	3,9	3,6	15	15
	5	17,061	3,1	2,9	21,2	23,7	26,4	29,7	30	30
	7,5	25,591	3,1	2,9	30,2	34,2	37,7	42,7	40	45
	10	34,121	3,1	2,9	39,2	44,6	49,0	55,7	50	60

[1] Pour 208 volts, utiliser un facteur de correction de 0,751 pour kW et MBTUH.

DONNÉES DE RENDEMENT DU VENTILATEUR

Moteur PSC à 3 vitesses

Taille de l'unité	Réglage de la vitesse de climatisation	Débit d'air (CFM) vs. Pression statique extérieure (pouces d'eau.) ***				
		0.1	0.2	0.3	0.4	0.5
18	* ^ Faible - Rouge	559	529	606	591	576
	Méd - Bleu	802	784	751	722	693
	Noir élevé	1046	1013	987	943	885
24	Faible - Rouge	606	591	576	559	529
	* ^ Méd - Bleu	802	784	751	722	693
	Noir élevé	1046	1013	987	943	885
30	Faible - Rouge	816	809	802	775	752
	* ^ Méd - Bleu	1000	985	970	935	889
	Noir élevé	1218	1175	1122	1070	1008
36	Faible - Rouge	816	809	802	775	752
	Méd - Bleu	1000	985	970	935	889
	* ^ Maxi -Noir	1218	1175	1122	1070	1008

* Réglage usine pour la climatisation.

^ Réglage usine pour le chauffage.

*** Toutes les données de débit d'air sont fournies avec un serpentin sec, un filtre et un chauffage électrique.

Moteur ECM haute efficacité 5-Speed

Taille de l'unité	Réglage de la vitesse de climatisation	Débit d'air (CFM) vs. Pression statique extérieure (pouces d'eau.) ***				
		0.1	0.2	0.3	0.4	0.5
19	Appuyez sur 1	547	484	366	309	268
	* Appuyez sur 2	651	600	566	516	466
	Appuyez sur 3	695	646	617	566	544
	^ Appuyez sur 4	742	700	669	627	600
	Appuyez sur 5	758	712	682	641	625
25	Appuyez sur 1	569	453	347	264	264
	Appuyez sur 2	659	600	569	518	475
	* Appuyez sur 3	847	800	787	744	722
	^ Appuyez sur 4	928	901	883	846	802
	Appuyez sur 5	970	944	927	891	864
31	Appuyez sur 1	656	600	567	522	473
	Appuyez sur 2	842	800	782	739	716
	* Appuyez sur 3	1059	1028	1004	972	946
	^ Appuyez sur 4	1106	1084	1053	1030	1000
	Appuyez sur 5	1137	1108	1085	1055	1031
37	Appuyez sur 1	848	800	769	726	692
	Appuyez sur 2	1051	1028	1000	956	930
	* Appuyez sur 3	1247	1215	1188	1161	1126
	^ Appuyez sur 4	1310	1279	1254	1228	1200
	Appuyez sur 5	1364	1334	1304	1279	1250
39	Appuyez sur 1	800	783	747	725	689
	Appuyez sur 2	1034	1003	987	959	937
	* Appuyez sur 3	1281	1253	1228	1207	1186
	^ Appuyez sur 4	1343	1314	1290	1261	1226
	Appuyez sur 5	1367	1342	1312	1277	1239

* Réglage usine pour la climatisation.

^ Réglage usine pour le chauffage.

*** Toutes les données de débit d'air sont fournies avec un serpentin sec, un filtre et un chauffage électrique.

OUTILS ET PIÈCES NÉCESSAIRES

Assembler les outils et les pièces nécessaires avant de commencer l'installation. Lire et suivre les instructions fournies avec tous les outils indiqués ici :

Tournevis à écrou de 1/4 po	Ruban de mesure
Niveau	Marteau
Tournevis	Étanchéité
Clé réglable	Écrous de fils homologués UL

Orifice de remplacement (si nécessaire; voir « Dispositif de mesure »)

Vérifier les codes locaux, l'alimentation électrique existante et lire les sections « Exigences relatives aux conduites » et « Exigences électriques » avant d'acheter des pièces.

L'ensemble orifice de remplacement situé à l'intérieur du boîtier de commande de l'unité extérieure peut contenir un orifice de la bonne taille. Si cet ensemble ne contient pas l'orifice correct pour votre ventilo-convecteur, vous devez acheter l'orifice correct.

INSTALLATION

Les ventilo-convecteurs muraux compacts conviennent au retour d'air libre lorsqu'ils sont enfermés dans un placard avec une porte à ailettes ou encastrés dans un mur. *Les unités doivent toujours être installées avec un boîtier.

Applications « sur le mur » (Figure 2)

Remarque : si elle est installée dans un placard, un registre ou une grille avec au moins 1 pied carré de surface par tonne de climatisation est nécessaire sur la porte.

Un support mural est inclus pour ce type de montage. Fixer le support au mur de manière à ce que l'extrémité « ouverte » soit orientée vers le haut, s'assurer que le support est de niveau et fixé aux goujons (un blocage de 2 x 8 po est recommandé entre les goujons à la hauteur du support). Des vis de 2 po sont nécessaires. Soulever l'unité et faire glisser le bord arrière du capuchon supérieur sur le support.

Installation encastrée ou « dans le mur » (Figure 3)

Encastrer le ventilo-convecteur de 2 po pour prévoir un espace suffisant pour les connexions de la conduite de drainage. Si une application de rinçage est souhaitée, une encoche doit être coupée dans le goujon pour permettre l'accès au drain primaire.

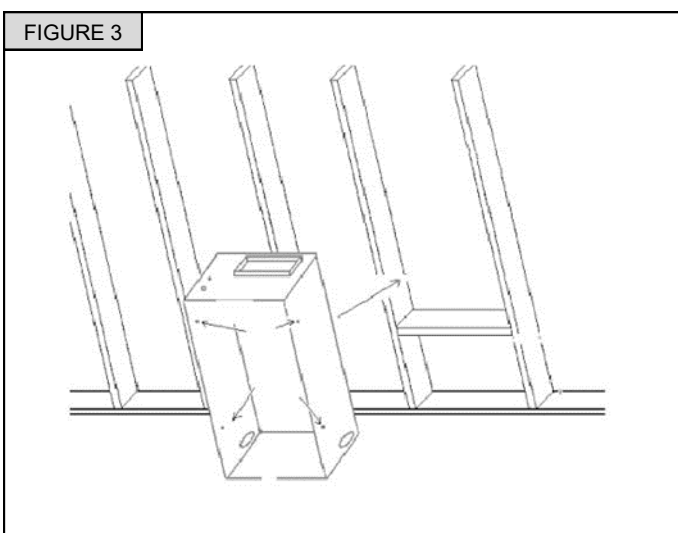
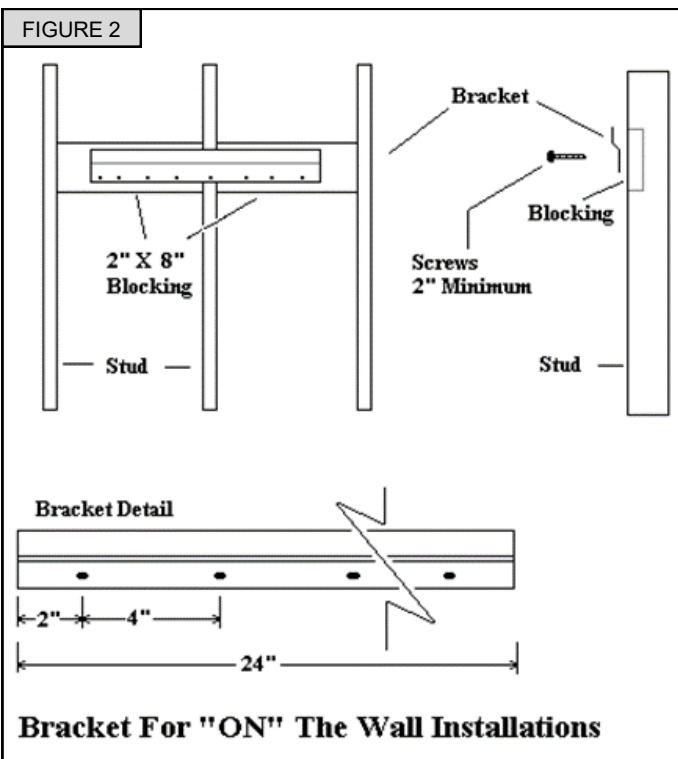
Ne pas laisser le ventilo-convecteur dépasser au-delà de l'avant du goujon, ce qui interférerait avec l'application de la grille murale à ailettes. Utiliser les 2 trous de chaque côté pour fixer entre les goujons. S'assurer que le ventilo-convecteur est de niveau et carré avant de continuer

CONDUITES

Les conduits doivent être fabriqués et installés conformément aux codes locaux et/ou nationaux. Ceci comprend les normes de la norme NFPA n° 90B, National Fire Protection Association for installation of Air-Conditioning and Ventilating Systems.

Le ventilo-convecteur doit être placé aussi près que possible de l'espace à climatiser. Les gaines doivent être acheminées aussi directement que possible vers les sorties de retour et d'alimentation.

Il est recommandé d'utiliser des connecteurs flexibles ininflammables étanches sur les connexions d'alimentation et de retour de l'unité pour réduire la transmission du bruit.



INSTALLATION DU DRAIN DE CONDENSAT

Déterminer les connexions de drainage à utiliser et noter la différence entre les ouvertures primaire et secondaire. Retirer les bouchons des ouvertures de drainage sélectionnées. Il est recommandé d'utiliser des raccords en PVC filetés mâles de 3/4 po au niveau de la cuvette de condensat. **Serrer à la main uniquement!** ADP recommande d'utiliser un agent d'étanchéité pour filetage sur le connecteur en PVC au niveau du raccord de la cuvette de drainage. Le tuyau de tous les drains de condensat doit avoir un diamètre extérieur minimum de 7/8 po. Le drain doit être incliné vers le bas de 1 po par 10 po. Installer un purgeur aussi près que

possible du serpentin (2 po minimum). Voir figure 4.

Acheminer la conduite de drainage de manière à ce qu'elle n'interfère pas avec l'accessibilité au serpentin, au système de traitement de l'air ou au filtre et qu'elle ne soit pas exposée au gel.

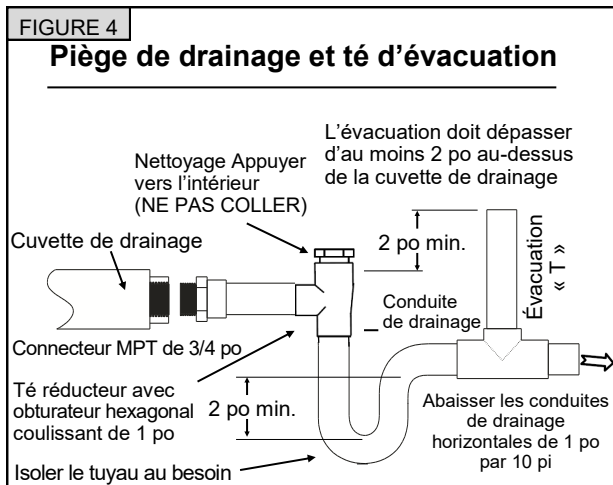
Si la conduite fait un deuxième purgeur ou a un tronçon prolongé avant la terminaison, un té d'évacuation doit être installé après le purgeur le plus proche du poêle. Connecter le drain primaire et l'acheminer vers un drain, un puisard ou une conduite d'égout ouverts.

ATTENTION

Si le serpentin est situé dans ou au-dessus d'un espace d'habitation où un débordement de condensat peut causer des dégâts, un drain séparé de 3/4 po doit être fourni à partir du raccord de drainage secondaire (**ou un contacteur à flotteur peut être utilisé - voir les instructions de l'ensemble pour les procédures d'installation**). Amener ce drain à un endroit conforme aux codes d'installation locaux où il sera remarqué quand l'unité est opérationnelle. Le condensat s'écoulant du drain secondaire indique un drain primaire bouché.

Amorcer le purgeur avec de l'eau. Tester la conduite pour détecter les fuites éventuelles. Vérifier le débit d'eau avec l'unité en fonctionnement.

Ne pas laisser le raccord de la cuvette de drainage supporter le poids de la conduite de drainage. Fixer la conduite de drainage avec une sangle ou une autre méthode équivalente pour s'assurer qu'elle est perpendiculaire à la face de la cuvette de drainage.



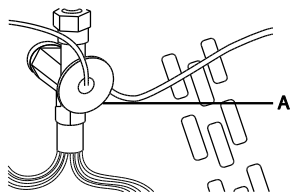
DISPOSITIF DE PRÉLÈVEMENT

Vanne d'expansion thermique (TXV)

Vannes d'expansion installées en usine : les bulbes de détection sont installés en usine et fixés à la conduite d'aspiration. Pour un rendement optimal, remonter et isoler le bulbe à 10 ou 2 heures à l'extérieur de l'enceinte de la conduite d'aspiration principale à moins d'un pied du raccord de la conduite d'aspiration. Au besoin, le bulbe peut être installé sur une conduite d'aspiration verticale. Dans ce cas, le bulbe doit être placé avant tout purgeur, le tube capillaire du bulbe orienté vers le haut.

FIGURE 5

Vanne d'expansion thermique (Lettre A)



Pistons

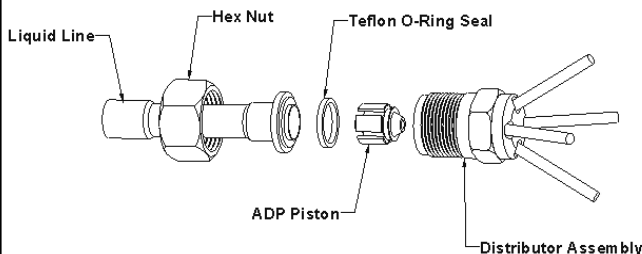
IMPORTANT : Pour un rendement optimal, le piston doit être dimensionné pour correspondre aux recommandations du fabricant de l'unité extérieure. Consulter les informations de l'unité extérieure pour déterminer si l'unité intérieure a la taille d'orifice correcte.

Pour changer les pistons, suivre la procédure suivante :

1. Desserrer l'écrou hexagonal situé sur la conduite de liquide et le séparer de l'ensemble distributeur.
2. Retirer le piston existant de l'intérieur de l'ensemble distributeur.
3. Insérer le piston désiré dans le distributeur.
4. Inspecter le joint torique en Téflon et le remplacer s'il est endommagé. S'assurer que le joint torique en Téflon est en place.
5. Réinstaller l'écrou hexagonal sur le corps et serrer à 10 pi-lb.

FIGURE 6

Vue latérale de l'orifice du piston



CONDUITE DE RÉFRIGÉRANT

Les connexions de réfrigérant sont 3/8 po ODF Liquid et 3/4 po ODF Suction. Se reporter aux recommandations du fabricant de l'unité extérieure sur le dimensionnement de la conduite. Pendant le brasage des conduites de réfrigérant, placer un chiffon humide autour de la conduite d'aspiration pour protéger l'enceinte ou le plafond de la surchauffe. Maintenir un minimum de 1,5 po à partir des connexions de brasage du réfrigérant et de l'enceinte ou du plafond. Voir la nomenclature pour déterminer le type de contrôle du débit installé et nécessaire pour votre application. Les serpentins d'évaporateur sont expédiés d'usine avec des pistons de fluteur ou des ensembles TXV. Des pistons de ventilateur et des ensembles TXV sont disponibles pour conversion sur place.

INSTALLATION DE LA CONDUITE DE RÉFRIGÉRANT

Les conduites de réfrigérant doivent être connectées par un technicien certifié par l'EPA conformément aux procédures établies.

IMPORTANT :

- Le raccordement des conduites de réfrigérant doit être effectué en cuivre propre, déshydraté et de qualité réfrigérante. Les serpentins du ventilateur-convecteur ne doivent être installés qu'avec les dimensions de conduite spécifiées pour les combinaisons de systèmes approuvées.
- Faire attention aux conduites de réfrigérant pendant l'installation. Des coudes coupants ou des plicatures dans les conduites peuvent entraîner une restriction.
- Ne pas retirer les capuchons des conduites ou des points de connexion du système. Les connexions de l'unité sont prêtes à être effectuées.

- Acheminer les conduites d'aspiration et de liquide des raccords du serpentin intérieur aux raccords de l'unité extérieure. Faire passer les conduites sur un chemin direct, évitant ainsi les virages et les coudes inutiles.
- S'assurer que la conduite d'aspiration est isolée sur toute la longueur exposée et que les conduites d'aspiration et de liquide ne sont pas en contact direct avec les sols, les murs, les gaines, les solives ou d'autres conduites.

- Connecter la conduite d'aspiration et la conduite de liquide au serpentin d'évaporateur.
- Pour éviter d'endommager les œillets en caoutchouc de l'enceinte pendant le brasage, faire glisser les œillets en caoutchouc sur les conduites de réfrigérant jusqu'à ce qu'ils soient éloignés de la source de chaleur.
- Braser avec un alliage d'argent, de cuivre et de phosphore avec un point de fusion supérieur à 1100 °F. **REMARQUE :** Ne pas utiliser de soudure douce.
- Réinstaller les œillets en caoutchouc une fois le brasage terminé.
- S'assurer que le climatiseur extérieur unité a été mis en place conformément aux instructions d'installation et est connecté aux conduites de réfrigérant.

ADP recommande d'installer un filtre déshydrateur et une vitre dans la conduite de liquide. Pendant le brasage, purger le système avec de l'azote pour éviter toute contamination. ADP recommande de rattacher et d'isoler le bulbe de détection TXV à 10 à 2 heures sur la conduite d'aspiration, à l'extérieur du boîtier du serpentin, à moins d'un pied de la connexion. Évacuer le système à 500 microns pour assurer une évacuation correcte de l'air et de l'humidité (**Remarque :** Une évacuation profonde ou une triple évacuation est recommandée). Ouvrir lentement la vanne de service d'aspiration et laisser le réfrigérant s'écouler dans le système avant d'ouvrir la vanne de service de liquide.

INSTRUCTIONS DE CHARGEMENT DU RÉFRIGÉRANT

En mode Climatisation, la température extérieure doit être supérieure ou égale à 60 °F. Pour que les pressions se stabilisent, faire fonctionner le système pendant au moins 15 minutes entre les réglages. Lors du réglage de la charge des systèmes équipés de serpentins extérieurs à microcanaux, effectuer de petits ajustements (1 once ou moins) car ces systèmes sont très sensibles à la charge de réfrigérant.

Charge TXV^{2, 3, 4} – Utiliser la méthode de charge recommandée par les instructions de l'unité extérieure. ADP recommande également de charger à un sous-refroidissement de 12 °F pour les unités CA et à un sous-refroidissement de 10 °F pour les thermopompe. De plus, si la vanne est réglable, régler à 10 °F de surchauffe.

Charge à orifice fixe^{2, 3, 4} – Utiliser la surchauffe recommandée par les instructions de l'unité extérieure. Par ailleurs, ADP recommande de charger sur le tableau de surchauffe ci-dessous.

Pour les thermopompe initialement chargées en mode Climatisation, les réglages finaux pour charger en mode Chauffage sont acceptables au besoin. Certaines thermopompe doivent être chargées en mode Chauffage. Dans ce cas, se reporter aux instructions extérieures pour les procédures de charge recommandées.

Si le système est sous-charge après la charge initiale, ajouter du réfrigérant jusqu'à ce que la vitre de vision soit dégagée et que les pressions, températures, sous-refroidissement et surchauffe recommandées puissent être obtenues. Si le système est

surchargé après la charge initiale, récupérer le réfrigérant jusqu'à ce que les pressions, températures, sous-refroidissement et surchauffe recommandées puissent être obtenues.

Remarques :

- En cas de problème ou de question concernant les frais, contacter le service à la clientèle.
- Les méthodes de charge des FEO varient en fonction de la conception et de l'application. Vérifier que toutes les pressions, températures, sous-refroidissement et réglages de surchauffe recommandés produisent la charge correcte.
- Les serpentins ADP peuvent nécessiter une compensation de charge en raison de la variation de taille par rapport au serpentin OEM.
- Les températures sont de ± 2 °F, sauf recommandation contraire.

Modèles	Débit d'air minimum Q_{min} (CFM)	Charge de réfrigérant maximale autorisée dans une installation (livres)	
		R-454B	R-32
S-18, 24	606	22,4	23,2
S-30, 36	816	30,0	30,0
S-19	547	20,2	20,9
S-25	569	21,0	21,7
S-31	656	24,2	25,1
S-37	848	30,0	30,0
S-39	800	29,6	30,0

FILTRES

Les filtres sont fournis avec l'unité et doivent être installés dans le système de retour d'air par l'installateur. Une grille de filtration installée sur place est recommandée pour un accès facile et pratique aux filtres pour une inspection et un nettoyage périodiques. Les filtres doivent avoir une surface suffisante pour la quantité d'air nominale de l'unité.

EXIGENCES ÉLECTRIQUES

AVERTISSEMENT

Risque de choc électrique

Mettre l'aérotherme électrique à la terre.

Connecter le fil de terre à la borne de terre marquée.

Utiliser un fil de cuivre homologué pour le raccordement de l'alimentation.

Le tableau ci-dessous indique le calibre de fil correct.

Le non-respect de ces instructions peut entraîner la mort ou un choc électrique.

- Tout le câblage sur place doit être effectué conformément au National Electrical Code, aux exigences applicables des codes UL et locaux, le cas échéant.
- Le câblage d'alimentation, les moyens de déconnexion et la protection contre les surtensions doivent être fournis par l'installateur. Se reporter à la plaque signalétique du ventilo-convecteur pour la protection maximale contre les surtensions, l'ampérage minimum du circuit et la tension de fonctionnement.
- L'alimentation électrique doit être dimensionnée et protégée conformément aux spécifications fournies avec le produit.
- Ce ventilo-convecteur est configuré en usine pour 240 V monophasé, 60 cycles. Pour les applications 208 volts, voir « Conversion 208 volts » à la section « Effectuer des connexions électriques ».
- Pour les applications optionnelles avec aérotherme électrique, se reporter aux instructions fournies avec l'accessoire pour une installation correcte.

REMARQUE : Utiliser uniquement des conducteurs en cuivre

CONNEXIONS ÉLECTRIQUES

1. Modèles avec chauffage électrique : déterminer le nombre de circuits nécessaires pour alimenter l'aérotherme en électricité. Voir l'étiquette de l'ensemble d'accessoires du ventilo-convecteur pour le nombre de circuits et les valeurs nominales.
2. Déconnecter toutes les sources d'alimentation.
3. Retirer le panneau de commande.
4. Installer les fils et raccords homologués UL à l'aide des trous de câblage prépercés.
5. Connecter un fil de taille appropriée aux bornes du sectionneur.
6. Connecter le ou les fil(s) de terre verts (1 ou 2) à la terre
7. borne(s) (1 ou 2) marquées.
8. Installer les bouchons d'ouverture des conduits dans les ouvertures inutilisées.
9. Réinstaller le panneau de commande du ventilo-convecteur.
10. Rebrancher l'alimentation électrique.
11. Éliminer toutes les autres pièces.

AVERTISSEMENT

Risque de choc électrique

Déconnecter toutes les sources d'alimentation avant de procéder à l'entretien.

Remonter toutes les pièces et panneaux avant de les utiliser.

Le non-respect de cette consigne peut entraîner la mort ou un choc électrique.

INSTALLATION DE L'ÉTIQUETTE A2L

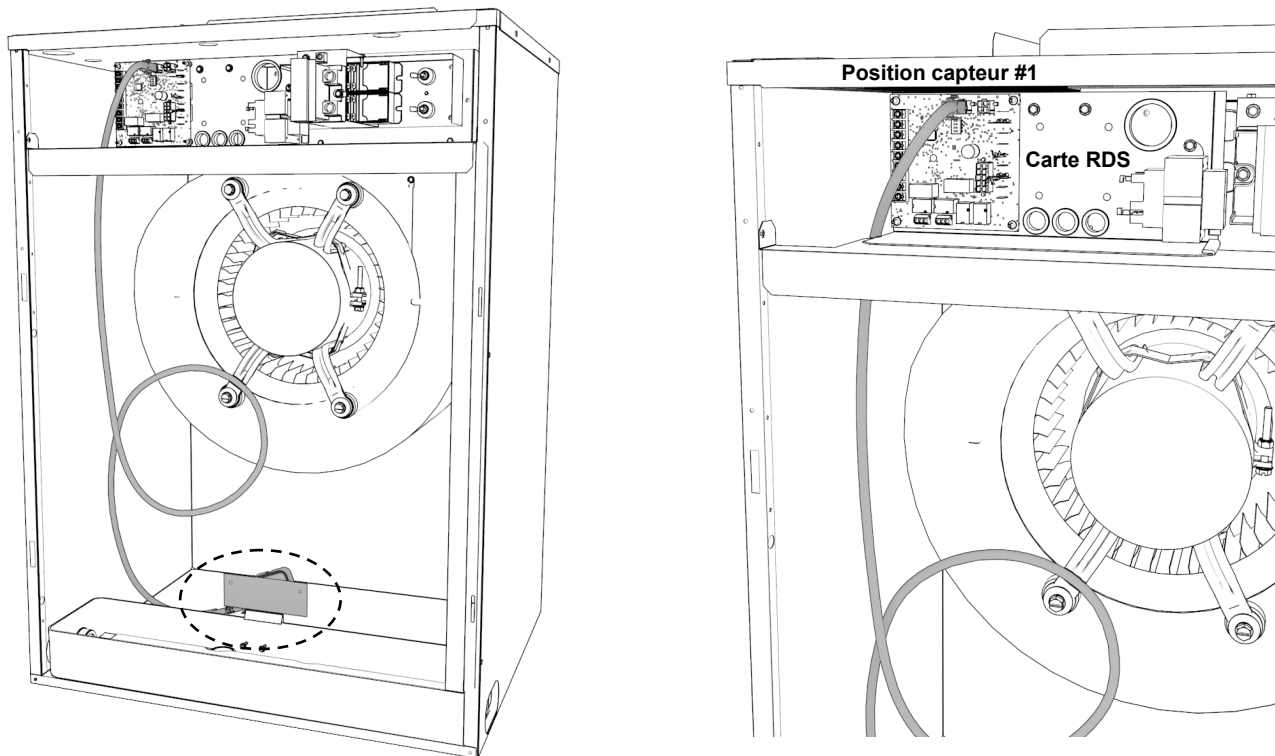
Apposer en permanence sur l'étiquette de série le dispositif de mesure et de réfrigérant A2L (R-454B et R-32) utilisé. Voir exemple ci-dessous.

REFRIGÉRANT: FACTORY CONFIGURED FOR R-454B
 FIELD INSTALLED AS R-454B
FIELD CONFIGURED TO
 R-32

METERING DEVICE
 TXV
 PISTON

CAPTEUR DE DÉTECTION DE RÉFRIGÉRANT A2L

Les capteurs de réfrigérant A2L sont assemblés en usine comme illustré ci-dessous. L'emplacement du capteur ne doit pas être modifié. Lors du remplacement du capteur en raison d'une défaillance, le capteur doit être assemblé exactement au même endroit pour assurer une détection correcte des fuites de réfrigérant A2L.



CONTRÔLEUR DU SYSTÈME DE DÉTECTION DE RÉFRIGÉRANT A2L

RÉGLAGES DES MICROCONTACTS

Régler les microcontacts en fonction de la configuration du capteur. Le non-respect de cette consigne entraînera des erreurs à la mise sous tension.

Chaque microcontact correspond à une position du capteur (c.-à-d. microcontact 1 au capteur 1; microcontact 2 au capteur 2). Les positions usine par défaut des microcontacts sont réglées sur OFF. Le logiciel RDSC lit la position OFF comme active. Mettre l'interrupteur sur ON désactive la position du capteur. Le tableau suivant indique toutes les configurations possibles. Les configurations autres que celles illustrées ci-dessous causent une défaillance.

Les configurations autres que celles indiquées ci-dessous au Tableau 1 causent une défaillance.

Configuration	DIP1	DIP2
Un (1) capteur dans le connecteur 1	OFF	ON
Deux capteurs; dans les connecteurs 1, 2.	OFF	OFF

TABLEAU 1 : RÉGLAGES DES MICROCONTACTS

CODES DE DIAGNOSTIC

Le RDSC est équipé d'une diode électroluminescente (DEL) située dans son enceinte. La DEL indique l'état du RDSC. Voir le Tableau 2 et le Tableau 3 pour revoir les codes de clignotement.

Province	Code de clignotement de la DEL	Action
Initialisation	Vert clignotant	S/O
Surveillance	Vert fixe avec clignotement bleu	S/O
Atténuation(Fuite détectée)	Bleu clignotant	Vérifier que les tubes du serpentin ne fuient pas. Réparer le problème et redémarrer l'équipement.
Défaillance/Entretien	Bleu fixe, interrompu par le code d'émission	Voir CODES DE DIAGNOSTIC DES DEL ROUGES / DÉPANNAGE.

TABLEAU 2 : CODES CLIGNOTANTS À DEL

Clignotement rouge	Par capteur	Problème	Action
1	Oui	Défaillance du capteur	Remplacer le capteur
2	Oui	S/O	S/O
3	Oui	Type de capteur incompatible	Remplacer par un capteur compatible
4	Oui	Problème de communication avec le capteur	Vérifier les capteurs connectés. S'assurer que la connexion est propre et bien serrée.
5	Non	Mauvais relais/mauvais câblage	Vérifier que l'alimentation 24VAC n'est pas raccordée aux bornes R du RDSC. Les entrées R doivent être sous tension pour que le RDSC fonctionne.
6	Non	Configuration invalide du nombre de capteurs	Vérifier que le réglage du microcontact est correct et correspond au nombre de capteurs utilisés.

TABLEAU 3 : CODES DE DIAGNOSTIC À DEL ROUGE / DÉPANNAGE

FONCTION DU BOUTON TEST

Le RDSC est équipé d'un bouton Test/Réinitialisation. Le bouton Test peut être utilisé pour effectuer plusieurs fonctions, en fonction du mode de fonctionnement du RDSC. Le Tableau 4 indique les fonctions du bouton Test pendant chaque mode de fonctionnement.

Mode de fonctionnement	Appuyer brièvement sur le bouton Test pour....
Normal	Déclenche une réponse de détection des fuites. Vérifier que tout l'équipement est correctement câblé au RDSC (après l'installation).
Fuite détectée	Remettre le RDSC à un mode de fonctionnement normal après qu'une fuite antérieure a été détectée et purgée du système de CVAC.
Défaillance	Réinitialisez le RDSC après avoir résolu une défaillance. Si le défaut n'est pas résolu, le RDSC repasse en mode Défaut.

TABLEAU 4 : FONCTION DES BOUTONS DE TEST

FONCTIONS SUPPLÉMENTAIRES DU BOUTON TEST

Le Tableau 5 indique les fonctions supplémentaires du bouton Test quand le RDSC fonctionne dans les états Initialisation, Surveillance, Atténuation, Entretien et Défaillance.

ÉTAT	APPUYER	ACTION
Initialisation	Court	Si le dénombrement des capteurs est terminé, ignorer la pré-purge restante.
Initialisation	Long	Réinitialisation du contrôleur
Surveillance	Court	Effacer le compteur de purge en cas d'atténuation antérieure; tester l'atténuation
Surveillance	Long	Réinitialisation du contrôleur
Atténuation	Court	En cas de test d'atténuation, terminer le test.
Entretien	Court	Réévaluer la condition de défaillance — si elle est effacée, retourner à la surveillance, sinon mettre l'indicateur à jour.
Entretien	Long	Réinitialisation du contrôleur
Défaillance	Court	Réévaluer la condition de défaillance — si elle est effacée, retourner à la surveillance, sinon mettre l'indicateur à jour.
Défaillance	Long	Réinitialisation du contrôleur

TABLEAU 5 : FONCTIONS SUPPLÉMENTAIRES DES BOUTONS DE TEST

COMPATIBILITÉ DU THERMOSTAT

Les types de thermostats suivants sont compatibles avec le RDSC :

- Thermostats équipés d'une mémoire non volatile
- Thermostats alimentés par batterie
- Thermostats analogiques
- Thermostats intelligents
- Thermostats programmables pour les derniers modèles

Remarque : les thermostats numériques et programmables de première génération peuvent ne pas fonctionner s'ils sont déconnectés de l'alimentation électrique. Ces types de thermostats peuvent ne pas conserver le mode de fonctionnement et les points de consigne de température.

Les exemples suivants sont susceptibles de se produire lorsque les occupants ne sont pas disponibles pour régler les points de consigne du thermostat :

- Le chauffage peut être perdu pendant une nuit froide.
- La climatisation peut être perdue pendant une journée chaude.
- Le thermostat peut rétablir un point de consigne de température incorrect.

Vérification de la compatibilité

Procéder comme suit pour déterminer si le thermostat est compatible avec le RDSC.

1. Noter le point de consigne et le mode de fonctionnement du thermostat.
2. Remettre le disjoncteur sous tension fournaise.

REMARQUE : Attendre (5) minutes avant d'alimenter le disjoncteur du fournaise.

3. Noter si le thermostat a maintenu ses points de consigne et son mode de fonctionnement.
 - a. Si le thermostat a maintenu les réglages, il thermostat est compatible avec le RDSC.
 - b. Si le thermostat ne maintient pas son point de consigne et/ou son mode de fonctionnement, il n' thermostat est pas compatible avec le RDSC. Recommander un thermostat compatible.

MODES DE FONCTIONNEMENT

Les modes de fonctionnement du RDSC sont Initialisation, Normal, Fuite détectée et Défaillance.

Initialisation

Le RDSC établit une connexion avec le capteur de détection du réfrigérant et effectue une séquence de purge initiale de (5) minutes.

Normal

Le système de CVCA fonctionne normalement. Le RDSC n'a pas détecté de fuite de réfrigérant.

Fuite détectée

Quand le RDSC détecte une fuite de réfrigérant :

1. Le RDSC arrête l'entrée (R) (alimentation 24 VCA) du thermostat, qui met hors tension le compresseur de l'unité extérieure et les sources de chaleur, telles que le chauffage au gaz et/ou à bande électrique. Aucune demande de chauffage ou de climatisation ne sera satisfaite.
2. Le RDSC active le ventilateur (vitesse maxi). Le ventilateur purge le réfrigérant de l'enceinte, du plénum et des gaines.

3. Une fois que le RDSC a déterminé que les niveaux de réfrigérant sont inférieurs au seuil de sécurité, le ventilateur continue à fonctionner pendant sept (7) minutes supplémentaires.
4. Une fois la séquence du ventilateur terminée, le système CVAC reprend son fonctionnement normal.

REMARQUE : *Le système de CVAC peut ne pas maintenir un point de consigne de climatisation ou de chauffage en cas de fuite importante. Toute fuite de réfrigérant qui reste insatisfaite pendant une période prolongée peut entraîner l'arrêt du système de CVAC en condition de limite de pression du réfrigérant.*

Défaillance

Lorsqu'une défaillance est détectée dans le RDSC, le ventilateur du fournaise d'air chaud s'engage et reste engagé à une puissance constante jusqu'à ce que le RDSC soit remplacé.

PROCÉDURE DE TEST DE DÉMARRAGE

Le RDSC est équipé d'un bouton Test/Réinitialisation, voir « Fonction du bouton Test » à la page 10. Une fois que le RDSC a été installé et câblé, rétablir l'alimentation du système de CVAC. Le système fonctionne ensuite pendant une séquence de purge de (5) minutes. Une fois la séquence de purge terminée, passer aux tests de demande de climatisation et de demande de chauffage.

Demande de climatisation

1. Demander une demande de climatisation au thermostat.
2. Appuyer sur le bouton Test du RDSC. Le système exécute alors une réponse de détection des fuites.
3. Respecter la séquence suivante :
 4. L'indicateur DEL clignote pour détecter les fuites (bleu clignotant).
 5. Le ventilateur se met en marche.
 6. Le compresseur extérieur s'arrête.

7. Appuyer sur le bouton Test pour mettre fin au mode de détection simulée des fuites une fois le test terminé.

Demande de chauffage

1. Demander une demande de chauffage au thermostat.
2. Respecter la séquence suivante :
 - a. L'indicateur DEL clignote pour détecter les fuites (bleu clignotant).
 - b. Le ventilateur se met en marche.
 - c. Les brûleurs à gaz s'éteignent.
 - d. Le compresseur extérieur s'arrête.

L'installation du RDSC est terminée une fois les deux séquences terminées.

APPLICATIONS SUPPLÉMENTAIRES

Dans les applications en zones, tous les registres restent ouverts quand le RDSC est en mode Erreur ou Fuite détectée. Les demandes de chauffage et de climatisation normales sont autorisées, mais le ventilateur reste engagé jusqu'à ce que la condition de défaillance soit corrigée.

Système de CVAC de zone

Si le RDSC est installé dans un système de CVAC de zone, il ouvre tous les registres de zone en cas de fuite.

Remarque : Un câblage correct du panneau de zone au RDSC est nécessaire pour que tous les registres de zone s'ouvrent.

Une fois la séquence de purge terminée, le système de zone reprend son fonctionnement normal.

Pour le câblage correct, se reporter à l'IOM du registre.

Alarme extérieure

(Pour les applications avec alarmes externes câblées directement au RDSC)

Le RDSC déclenche le système d'alarme externe quand il passe en mode Fuite détectée.

Pour le câblage correct, voir Alarme IOM.

VÉRIFICATIONS DU MANUTENTEUR D'AIR

Vérifier le fonctionnement du ventilateur

1. Mettre le thermostat sur FAN ON.
2. Le ventilateur intérieur doit s'allumer.

Vérifier le réchauffeur électrique (le cas échéant)

1. Régler le thermostat pour demander le chauffage auxiliaire (environ 5 °F au-dessus de la température ambiante). Le ventilateur intérieur et le chauffage auxiliaire doivent s'allumer ensemble. Laisser tous les séquenceurs fonctionner pendant au moins trois minutes.
2. Régler le thermostat de manière à ce qu'il ne demande pas de chauffage. Laisser tous les séquenceurs s'arrêter pendant cinq minutes.

	AVERTISSEMENT	
		
Risque de choc électrique		
Déconnecter toutes les sources d'alimentation avant de procéder à l'entretien.		
Remonter toutes les pièces et panneaux avant de les utiliser.		
Le non-respect de cette consigne peut entraîner la mort ou un choc électrique.		

Vérifier le débit d'air

Vitesse du ventilateur de climatisation :

- Pour un fonctionnement correct, le débit d'air traversant le serpentin intérieur doit être compris entre 350 et 450 pi³/min par tonne de puissance de climatisation (350 - 450 pi³/min par 12 000 BTU/h) en fonction de la puissance de l'unité extérieure.
- La vitesse de ventilateur de climatisation est configurée en usine pour fournir un débit d'air correct pour une unité extérieure qui correspond à la puissance de refroidissement maximale du ventilo-convecteur.
- Si l'unité extérieure est inférieure à la puissance de refroidissement maximale du ventilo-convecteur, il peut être nécessaire de modifier la vitesse de ventilateur de climatisation. Voir « Données de rendement du ventilateur ».

IMPORTANT : La vitesse de ventilateur de climatisation doit être réglée pour fournir un débit d'air minimum de 350 pi³/min par tonne (12 000 BTU/h) de capacité de climatisation extérieure.

DÉTECTION DU RÉFRIGÉRANT INFLAMMABLE

En aucun cas, des sources d'allumage potentielles ne peuvent être utilisées pour rechercher ou détecter des fuites de réfrigérant.

Ne pas utiliser de torche aux halogénures (ou tout autre détecteur utilisant une flamme nue).

Les méthodes de détection des fuites suivantes sont considérées acceptables pour tous les systèmes de réfrigérant.

Des détecteurs de fuites électroniques peuvent être utilisés pour détecter les fuites de réfrigérant mais, dans le cas des RÉFRIGÉRANTS INFLAMMABLES, la sensibilité peut ne pas être adéquate ou nécessiter un nouvel étalonnage. (L'équipement de détection doit être étalonné dans une zone sans réfrigérant.) S'assurer que le détecteur n'est pas une source d'allumage potentielle et qu'il est compatible avec le réfrigérant utilisé. L'équipement de détection des fuites doit être réglé à un pourcentage de la LFL du réfrigérant et doit être étalonné au réfrigérant utilisé, et le pourcentage approprié de gaz (25 % maximum) est confirmé.

Les liquides de détection des fuites peuvent également être utilisés avec la plupart des réfrigérants, mais l'utilisation de détergents contenant du chlore doit être évitée car le chlore peut réagir avec le réfrigérant et corroder les conduites en cuivre.

REMARQUE : Exemples de liquides de détection des fuites :

- méthode des bulles,
- agents de la méthode fluorescente.

En cas de suspicion de fuite, toutes les flammes nues doivent être retirées/éteintes.

En cas de fuite de réfrigérant nécessitant un brasage, la totalité du réfrigérant doit être récupérée du système ou isolée (au moyen de vanes d'arrêt) d'une partie du système à distance de la fuite. Le retrait du réfrigérant doit être conforme à la procédure de retrait et d'évacuation

RÉCUPÉRATION DU RÉFRIGÉRANT

Avant de travailler sur des systèmes contenant du réfrigérant, il est essentiel que le technicien connaisse parfaitement l'équipement et tous ses détails. Il est recommandé que tous les réfrigérants soient récupérés en toute sécurité. Avant d'effectuer la tâche, un échantillon d'huile et de réfrigérant doit être prélevé au cas où une analyse serait nécessaire avant la réutilisation du réfrigérant récupéré. Il est essentiel que l'alimentation électrique soit disponible avant de commencer la tâche. Les étapes à suivre pour s'assurer sont les suivantes : se familiariser avec l'équipement et son fonctionnement, l'isolation électrique du système, s'assurer qu'avant de tenter la procédure, un équipement de manutention mécanique est disponible, au besoin, pour manipuler les bouteilles de réfrigérant, et que tout l'équipement de protection individuelle est disponible et utilisé correctement pendant que le processus de récupération est supervisé en permanence par une personne compétente et que l'équipement et les bouteilles de récupération sont conformes aux normes appropriées.

De plus, si possible, pomper le système de réfrigérant et si un vide n'est pas possible, créer un collecteur pour que le réfrigérant puisse être retiré des différentes parties du système. S'assurer que les bouteilles sont installées sur les balances avant la récupération. Démarrer la machine de récupération et la faire fonctionner conformément aux instructions. Ne pas trop remplir les bouteilles (pas plus de 80 % de charge de liquide). Ne pas dépasser la pression de service maximale de la bouteille, même temporairement. Une fois les bouteilles correctement remplies et le processus terminé, s'assurer que les bouteilles et l'équipement sont retirés du site rapidement et que toutes les vannes d'isolation de l'équipement sont fermées. Le réfrigérant récupéré ne doit pas être chargé dans un autre système de réfrigération sauf s'il a été nettoyé et vérifié.

Lors du retrait du réfrigérant d'un système, que ce soit pour l'entretien ou la mise hors service, il est recommandé de retirer tous les réfrigérants en toute sécurité. Lors du transfert du réfrigérant dans des bouteilles, s'assurer que seules des bouteilles de récupération de réfrigérant appropriées sont utilisées. S'assurer que le nombre de bouteilles nécessaires pour maintenir la charge totale du système est disponible. Toutes les bouteilles à utiliser sont désignées pour le réfrigérant récupéré et étiquetées pour ce réfrigérant (c'est-à-dire des bouteilles spéciales pour la récupération du réfrigérant). Les bouteilles doivent être équipées d'une vanne de décompression et des vannes d'arrêt associées en bon état de fonctionnement. Les bouteilles de récupération vides sont évacuées et, si possible, refroidies avant la récupération.

L'équipement de récupération doit être en bon état de fonctionnement avec un ensemble d'instructions concernant l'équipement qui est disponible et doit être adapté pour la récupération du réfrigérant inflammable. En cas de doute, consulter le fabricant. De plus, un jeu de balances étalonnées doit être disponible et en bon état de fonctionnement. Les flexibles doivent être équipés de coupleurs étanches et en bon état.

Le réfrigérant récupéré doit être traité conformément à la législation locale dans la bouteille de récupération correcte et la note de transfert des déchets correspondante doit être disposée. Ne pas mélanger de réfrigérants dans les unités de récupération et en particulier dans les bouteilles.

Si les compresseurs ou les huiles de compresseur doivent être retirés, s'assurer qu'ils ont été évacués à un niveau acceptable pour s'assurer que le réfrigérant inflammable ne reste pas dans le lubrifiant. Le corps du compresseur ne doit pas être chauffé par une flamme nue ou d'autres sources d'allumage pour accélérer ce processus. Quand l'huile est vidangée d'un système, elle doit être utilisée en toute sécurité.

ENTRETIEN DU VENTILO-CONVECTEUR

Au début de chaque saison de chauffage, l'unité doit être entretenue par un installateur ou une société d'entretien qualifié.

Lors de la pénétration dans le circuit de réfrigérant pour effectuer des réparations, ou à toute autre fin, des procédures conventionnelles doivent être utilisées. Cependant, pour les réfrigérants inflammables, il est important de respecter les bonnes pratiques, car l'inflammabilité est une considération. Retirer le réfrigérant en toute sécurité conformément aux réglementations locales et nationales.

La charge de réfrigérant doit être récupérée dans les bouteilles de récupération correctes si l'évacuation n'est pas autorisée par les codes locaux et nationaux. Pour les appareils contenant des réfrigérants inflammables, le système doit être purgé avec de l'azote sans oxygène pour rendre l'appareil sécuritaire pour les réfrigérants inflammables. Il peut être nécessaire de répéter cette procédure plusieurs fois. L'air comprimé ou l'oxygène ne doit pas être utilisé pour purger les systèmes de réfrigérant.

Pour les appareils contenant des réfrigérants inflammables, la purge des réfrigérants doit être réalisée en brisant le vide du système avec de l'azote sans oxygène et en continuant à se remplir jusqu'à ce que la pression de fonctionnement soit atteinte, puis en évacuant l'air jusqu'à l'atmosphère, puis en tirant vers le bas jusqu'à un vide (optionnel pour A2L). Cette procédure doit être répétée jusqu'à ce qu'aucun réfrigérant ne se trouve dans le système (optionnel pour A2L). Quand la charge d'azote sans oxygène finale est utilisée, le système doit être évacué jusqu'à la pression atmosphérique pour permettre le travail. S'assurer que la sortie de la pompe à vide n'est pas proche d'une source d'allumage potentielle et que la ventilation est disponible.

ASSISTANCE OU SERVICE

Si vous avez besoin d'aide, vous pouvez nous contacter à l'adresse ci-dessous pour toute question ou préoccupation. Veuillez indiquer un numéro de téléphone de jour dans votre correspondance.

Advanced Distributor Products
1995 Air Industrial Park Road
Grenada, MS 38901
www.adpnow.com

GARANTIE LIMITÉE SUR LE VENTILO-CONVECTEUR ADP

Durée de la garantie

Advanced Distributor Products (ADP) garantit que les produits vendus seront de qualité marchande, exempts de défauts de matière et de main-d'œuvre, dans des conditions d'utilisation et d'entretien normales, pendant une période de cinq (5) ans à compter de la date d'installation, **sans** dépasser six (6) ans à compter de la date de fabrication, sous réserve des conditions de la garantie limitée d'ADP.

Pour en savoir plus sur la garantie de ce produit, y compris l'accès aux conditions de garantie complètes, l'enregistrement pour une garantie prolongée* ou les instructions sur la soumission d'une réclamation au titre de la garantie, veuillez vous rendre sur www.ADPwarranty.com.

** Dans les États ou provinces où les exigences d'enregistrement sont interdites, le fait de ne pas terminer l'enregistrement par le consommateur ne réduit pas ses droits à la garantie.*

Information sur l'équipement

Veillez écrire les renseignements demandés ci-dessous et conserver la présente garantie dans vos dossiers, pour consultation future.

Numéro de modèle de l'unité : _____

Numéro de série : _____

Entrepreneur installateur : _____

Date d'installation : _____

Téléphone : _____





2140 Lake Park Blvd, Richardson, TX 75080, États-Unis
www.adpnow.com