



Installation Instructions

Compact Front Return Wall Mount Air Handlers

TABLE OF CONTENTS	PAGE	PAGE	
Air Handler Safety	1	Refrigerant Piping	10
General	2	Refrigerant Line Installation	10
Wiring Diagrams	3	Refrigerant Charging Instructions	10
Thermostat Connections	5	Filters	11
Electrical Data	6	Electrical Requirements	11
Blower Performance Data	7	Electrical Connections	11
Receiving	8	Label Installation	11
Installation Requirements	8	Air Handler Checks	12
Installation	8	Air Handler Maintenance	13
Ductwork	8	Assistance or Service	13
Install Condensate Drain	9	Warranty	14
Metering Device	9		

AIR HANDLER SAFETY

SAFETY CONSIDERATIONS

Your safety and the safety of others are very important.

We have provided many important safety messages in this manual and on your appliance. Always read and obey all safety messages.



This is the safety alert symbol.

This symbol alerts you to potential hazards that can kill or hurt you and others.

All safety messages will follow the safety alert symbol and signal word. These signals words mean the following:

DANGER: You can be **killed or seriously injured** if you don't immediately follow instructions.

WARNING: Indicate a potentially hazardous situation which, if not avoided, could result in **death or serious injury**.

CAUTION: Indicates a potentially hazardous situation which, if not avoided, may result in **minor or moderate injury**. Caution may also be used to alert against unsafe practices.

NOTICE: Indicates a statement of company policy as the message relates directly or indirectly to the safety of personnel or protection of property.

IMPORTANT: More detailed information concerning the statement of company policy as the message relates directly or indirectly to the safety of personnel or protection of property.

All safety messages will tell you what the potential hazard is, tell you how to reduce the chance of injury, and tell you what can happen if the instructions are not followed.



CAUTION



This appliance is not intended for use by persons (including children) with reduced physical, sensory or mental capabilities, or lack of experience and knowledge, unless they have been given supervision or instruction concerning use of the appliance by a person responsible for their safety. Children should be supervised ensure that they do not play with the appliance.



Product improvement is a continuous process at Advanced Distributor Products. Therefore, product specifications are subject to change without notice and without obligation on our part. Please contact your ADP representative or distributor to verify details.

© by Advanced Distributor Products. All rights reserved.

AIR HANDLER SAFETY



IMPORTANT



This unit is a PARTIAL UNIT AIR CONDITIONER, complying with PARTIAL UNIT requirements of this Standard, and must only be connected to other units that have been confirmed as complying to corresponding PARTIAL UNIT requirements of this Standard, UL 60335-2-40/CSA C22.2 No. 60335-2-40, or UL 1995/CSA C22.2 No 236.



IMPORTANT



Improper installation, adjustment, alteration, service or maintenance can cause property damage, personal injury or loss of life. Installation and service must be performed by a licensed professional HVAC installer or equivalent, service agency, or the gas supplier.



IMPORTANT



The Clean Air Act of 1990 bans the intentional venting of refrigerant (CFC's and HFC's). Approved methods of reclaiming must be followed. Fines and/or incarceration may be levied for non-compliance.



IMPORTANT



This unit is a PARTIAL UNIT, it shall only be connected to an appliance using the same refrigerant as listed in the name plate of this unit.



NOTICE



Maximum altitude of application is 3200 m above sea level.

GENERAL

These instructions are intended as a general guide only and do not supersede any national or local codes in any way. Compliance with all local, state, or national codes pertaining to this type of equipment should be determined prior to installation.

Read this entire instruction manual, as well as the instructions supplied in separate equipment, before starting the installation.

All models are designed for indoor installation only.

The installation of the air handler, field wiring, warm air ducts, etc. must conform to the requirements of the National Electrical Code, ANSI/NFPA No. 70 (latest edition) in the United States, and any state laws, and local ordinances (including plumbing or wastewater codes). Local authorities having jurisdiction should be consulted before installation is made. Such applicable regulations or requirements take precedence over the general instructions in this manual.

Install the conditioned air plenum, ducts and air filters (not provided) in accordance with NFPA 90B Standard for the Installation of Warm Air Heating and Air-Conditioning Systems (latest edition).

Some models are configured for upflow air discharge only, and some models are configured for upflow or horizontal left-hand air discharge.

Do not remove the cabinet knockouts until it has been determined which knockouts need to be removed for the installation.

Select the final installation position that best suits the site con-



WARNING



Electrical Shock

Disconnect power before servicing.

Replace all parts and panels before operating.

Electrically ground air handler.

Connect ground wire to ground terminal marked .

Failure to do so can result in death or electrical shock.



Explosion Hazard

Keep flammable materials and vapors, such as gasoline, away from this unit.

Place this unit so that the heating elements are at least 18in (46cm) above the floor for a garage insulation.

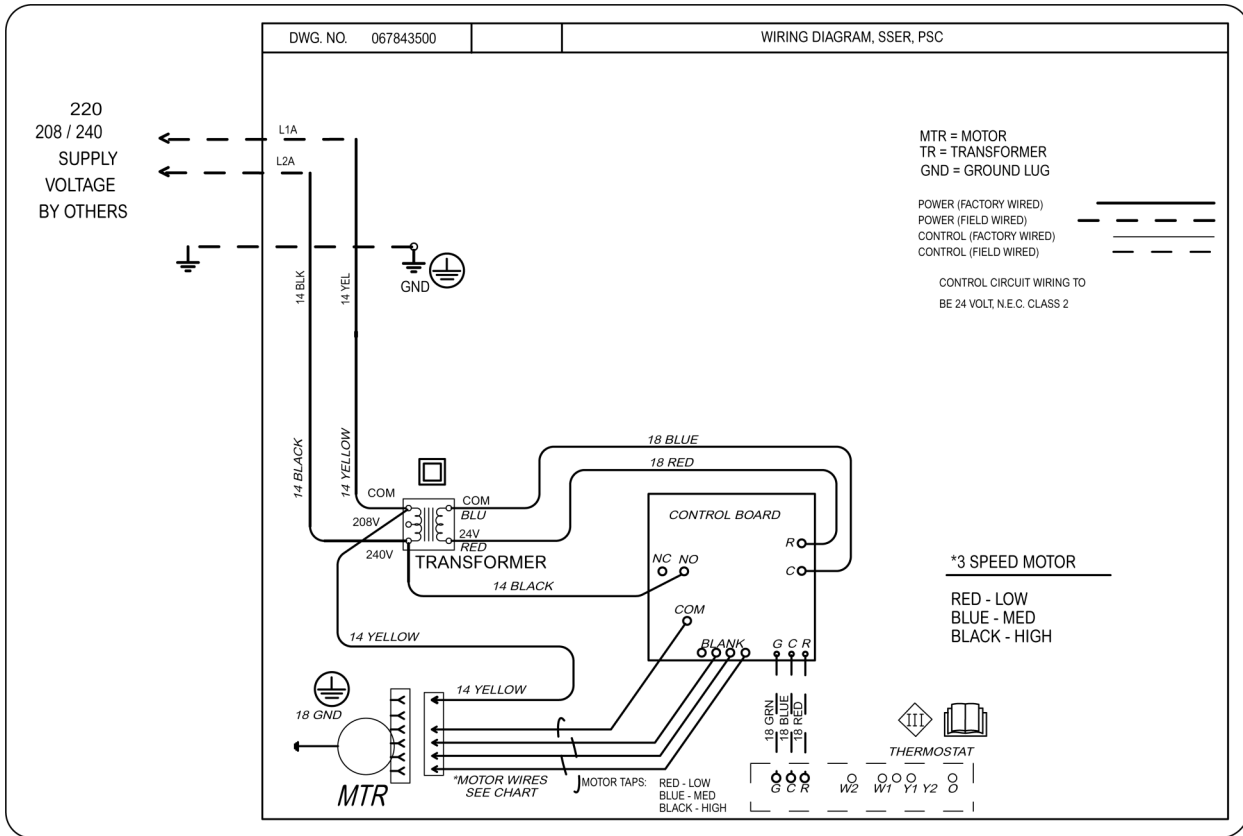
Failure to follow these instructions can result in death, explosion or fire.



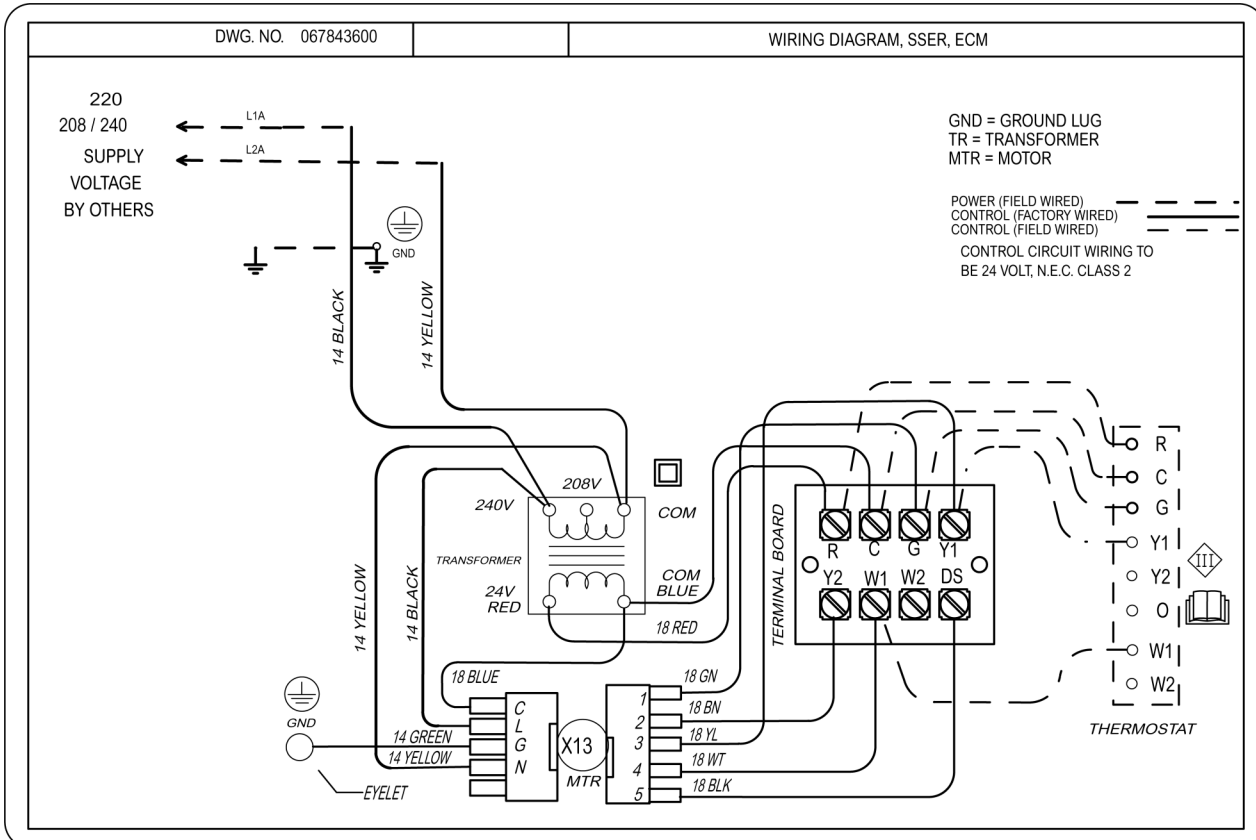
ditions. Consider required clearances, space, routing requirements for refrigerant line, condensate disposal, filters, ductwork, wiring, and accessibility for service. Refer to the air handler rating plate on the air handler for specific information.

WIRING DIAGRAM

Part Number: 67843500 | WIRING DIAGRAM, PSC, NO ELECTRIC HEAT

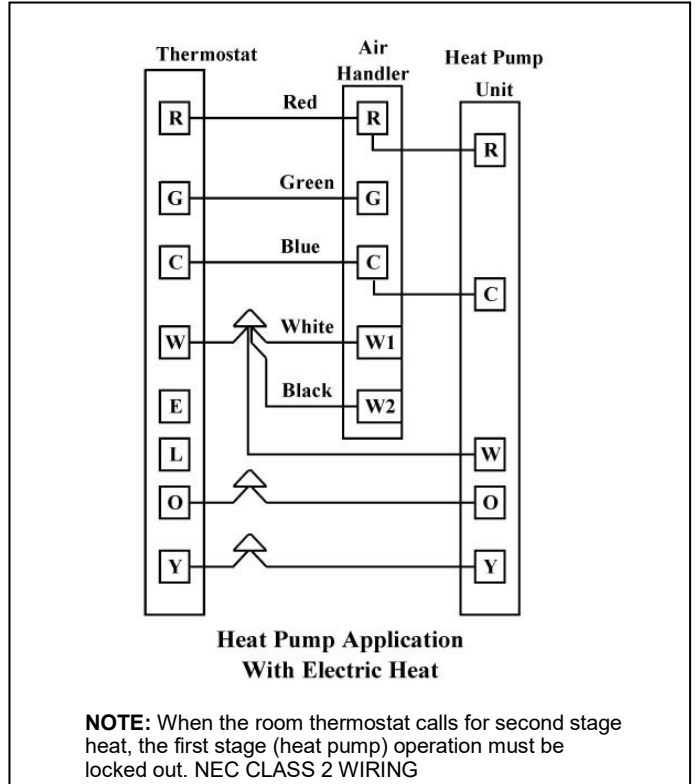
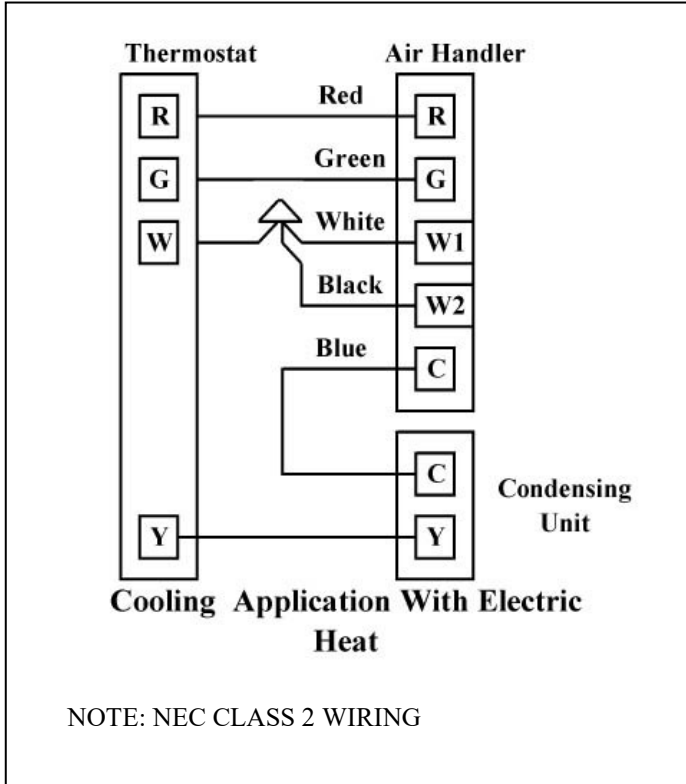


Part Number: 67843600 | WIRING DIAGRAM, ECM, NO ELECTRIC HEAT



LOW VOLTAGE THERMOSTAT CONNECTIONS

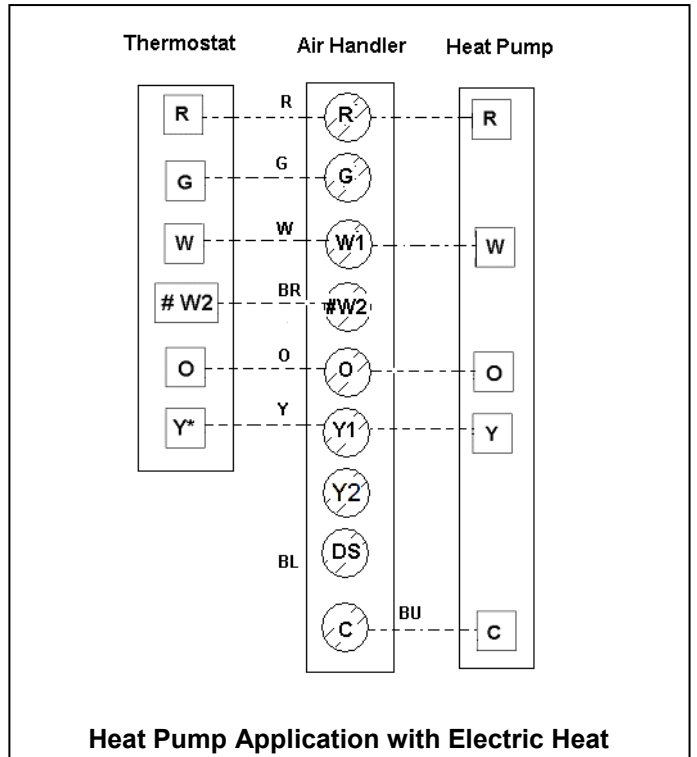
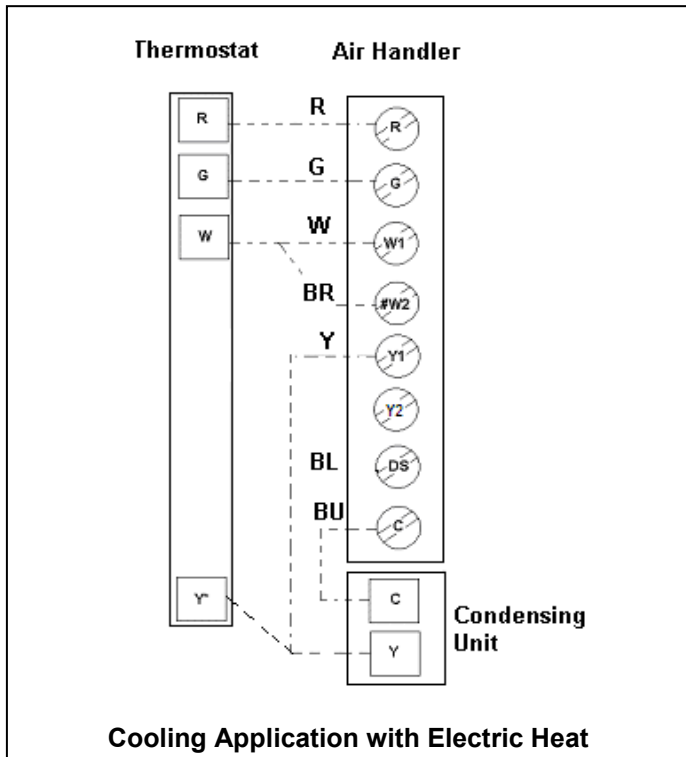
Thermostat Connections: 3-speed Motor



Low Voltage Thermostat Connections – 5-speed ECM Constant Torque Motor

For 2 stage outdoor units:

- Use the airflow chart to identify the desired CFM for 1st and 2nd stage operation.
- For 1st stage, connect Y1 from the thermostat to the desired Tap on the terminal board.
- For 2nd stage, connect Y2 from the thermostat to the desired Tap on the terminal board.
- NEC CLASS 2 WIRING



ELECTRICAL DATA

3-Speed PSC Motor

Unit Size (All have electric heat)	Heating Capacity		Blower Current (A)		Total Current (A)		Minimum Circuit Ampacity (A)		Maximum Circuit Breaker Size Per Stage (A)	
	kW	BTUH								
	240 V ^[1]	240 V ^[1]	208 V	240 V	208 V	240 V	208 V	240 V	208 V	240 V
18	0	0	1.8	1.7	1.8	1.7	2.3	2.1	15	15
	5	17,061	1.8	1.7	19.9	22.5	24.8	28.2	25	30
	7.5	25,591	1.8	1.7	28.9	33.0	36.1	41.2	40	45
	10	34,121	1.8	1.7	37.9	43.4	47.4	54.2	50	60
24	0	0	1.8	1.7	1.8	1.7	2.3	2.1	15	15
	5	17,061	1.8	1.7	19.9	22.5	24.8	28.2	25	30
	7.5	25,591	1.8	1.7	28.9	33.0	36.1	41.2	40	45
	10	34,121	1.8	1.7	37.9	43.4	47.4	54.2	50	60
30	0	0	2.1	2	2.1	2.0	2.6	2.5	15	15
	5	17,061	2.1	2	20.2	22.8	25.2	28.5	30	30
	7.5	25,591	2.1	2	29.2	33.3	36.5	41.6	40	45
	10	34,121	2.1	2	38.2	43.7	47.8	54.6	50	60
36	0	0	2.1	2	2.1	2.0	2.6	2.5	15	15
	5	17,061	2.1	2	20.2	22.8	25.2	28.5	30	30
	7.5	25,591	2.1	2	29.2	33.3	36.5	41.6	40	45
	10	34,121	2.1	2	38.2	43.7	47.8	54.6	50	60

[1] For 208 Volts use .751 correction factor for kW & MBTUH.

5-Speed High Efficiency ECM Motor

Unit Size (All have electric heat)	Heating Capacity		Blower Current (A)		Total Current (A)		Minimum Circuit Ampacity (A)		Maximum Circuit Breaker Size Per Stage (A)	
	kW	BTUH								
	240 V ^[1]	240 V ^[1]	208 V	240 V	208 V	240 V	208 V	240 V	208 V	240 V
19	0	0	0.9	0.8	0.9	0.8	1.1	1.0	15	15
	5	17,061	0.9	0.8	19.0	21.6	23.7	27.0	25	30
	7.5	25,591	0.9	0.8	28.0	32.1	35.0	40.1	35	45
	10	34,121	0.9	0.8	37.0	42.5	46.3	53.1	50	60
25	0	0	1.8	1.7	1.8	1.7	2.3	2.1	15	15
	5	17,061	1.8	1.7	19.9	22.5	24.8	28.2	25	30
	7.5	25,591	1.8	1.7	28.9	33.0	36.1	41.2	40	45
	10	34,121	1.8	1.7	37.9	43.4	47.4	54.2	50	60
31	0	0	2.4	2.2	2.4	2.2	3.0	2.8	15	15
	5	17,061	2.4	2.2	20.5	23.0	25.6	28.8	30	30
	7.5	25,591	2.4	2.2	29.5	33.5	36.9	41.8	40	45
	10	34,121	2.4	2.2	38.5	43.9	48.1	54.8	50	60
37	0	0	3.1	2.9	3.1	2.9	3.9	3.6	15	15
	5	17,061	3.1	2.9	21.2	23.7	26.4	29.7	30	30
	7.5	25,591	3.1	2.9	30.2	34.2	37.7	42.7	40	45
	10	34,121	3.1	2.9	39.2	44.6	49.0	55.7	50	60
39	0	0	3.1	2.9	3.1	2.9	3.9	3.6	15	15
	5	17,061	3.1	2.9	21.2	23.7	26.4	29.7	30	30
	7.5	25,591	3.1	2.9	30.2	34.2	37.7	42.7	40	45
	10	34,121	3.1	2.9	39.2	44.6	49.0	55.7	50	60

[1] For 208 Volts use .751 correction factor for kW & MBTUH.

BLOWER PERFORMANCE DATA

3-Speed PSC Motor

Unit Size	Cooling Speed Setting	Airflow (CFM) vs. External Static Pressure (inches W.C.) ***				
		0.1	0.2	0.3	0.4	0.5
18	* ^ Low - Red	559	529	606	591	576
	Med - Blue	802	784	751	722	693
	High -Black	1046	1013	987	943	885
24	Low - Red	606	591	576	559	529
	* ^ Med - Blue	802	784	751	722	693
	High -Black	1046	1013	987	943	885
30	Low - Red	816	809	802	775	752
	* ^ Med - Blue	1000	985	970	935	889
	High -Black	1218	1175	1122	1070	1008
36	Low - Red	816	809	802	775	752
	Med - Blue	1000	985	970	935	889
	* ^ High -Black	1218	1175	1122	1070	1008

* Factory setting for cooling.

^ Factory setting for heating.

*** All airflow data is with a dry coil, filter, & electric heat.

5-Speed High Efficiency ECM Motor

Unit Size	Cooling Speed Setting	Airflow (CFM) vs. External Static Pressure (inches W.C.) ***				
		0.1	0.2	0.3	0.4	0.5
19	Tap 1	547	484	366	309	268
	* Tap 2	651	600	566	516	466
	Tap 3	695	646	617	566	544
	^ Tap 4	742	700	669	627	600
	Tap 5	758	712	682	641	625
25	Tap 1	569	453	347	264	264
	Tap 2	659	600	569	518	475
	* Tap 3	847	800	787	744	722
	^ Tap 4	928	901	883	846	802
	Tap 5	970	944	927	891	864
31	Tap 1	656	600	567	522	473
	Tap 2	842	800	782	739	716
	* Tap 3	1059	1028	1004	972	946
	^ Tap 4	1106	1084	1053	1030	1000
	Tap 5	1137	1108	1085	1055	1031
37	Tap 1	848	800	769	726	692
	Tap 2	1051	1028	1000	956	930
	* Tap 3	1247	1215	1188	1161	1126
	^ Tap 4	1310	1279	1254	1228	1200
	Tap 5	1364	1334	1304	1279	1250
39	Tap 1	800	783	747	725	689
	Tap 2	1034	1003	987	959	937
	* Tap 3	1281	1253	1228	1207	1186
	^ Tap 4	1343	1314	1290	1261	1226
	Tap 5	1367	1342	1312	1277	1239

* Factory setting for cooling.

^ Factory setting for heating.

*** All airflow data is with a dry coil, filter, & electric heat.

RECEIVING

Check equipment for shipping damage. If you find any damage, immediately contact the last carrier. Check the unit rating plate for unit size, electric heat, coil, voltage, phase etc. to be sure unit matches requirements.

REQUIREMENTS

The installation of the air handler, field wiring, warm air ducts, etc. must conform to the requirements of the National Electrical Code, ANSI/NFPA No. 70 (latest edition) in the United States, and any state laws, and local ordinances (including plumbing or wastewater codes). Local authorities having jurisdiction should be consulted before installation is made. Such applicable regulations or requirements take precedence over the general instructions in this manual.

Install the conditioned air plenum, ducts and air filters (not provided) in accordance with NFPA 90B Standard for the Installation of Warm Air Heating and Air-Conditioning Systems (latest edition).

This unit is certified for installation clearances to combustible material as listed on the unit rating plate. Accessibility and service clearances must take precedence over combustible material clearances.

INSTALLATION

S Series air handlers are suitable for free-air return when enclosed in a closet with a louvered door or flush mounted in a wall. *Units must always be installed with a casing.

Closet or "On the Wall" Applications (Figure 2)

Note: If mounted in a closet a louver or grill with at least 1 square foot of face area per cooling ton is required on the door.

A wall hanging bracket is included for this type of mounting. Attach bracket to wall so the "open" end faces up, make sure bracket is level and attached to the studs (2" x 8" blocking installed between studs at bracket height is recommended). 2" screws are required. Lift unit and slide the back edge of the top cap onto bracket.

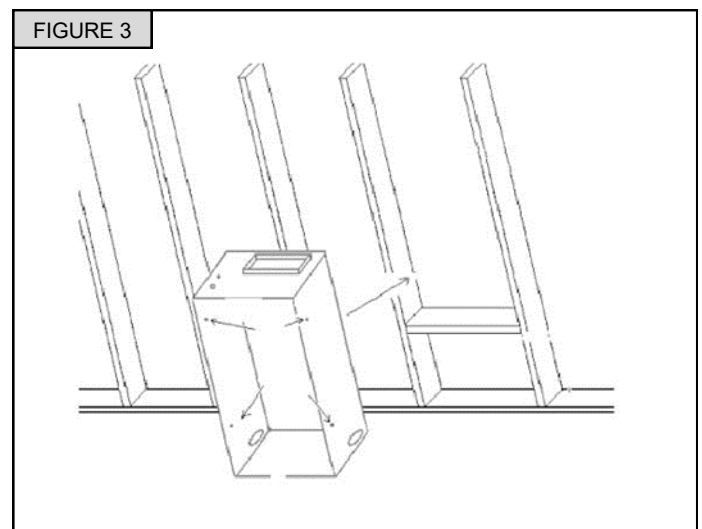
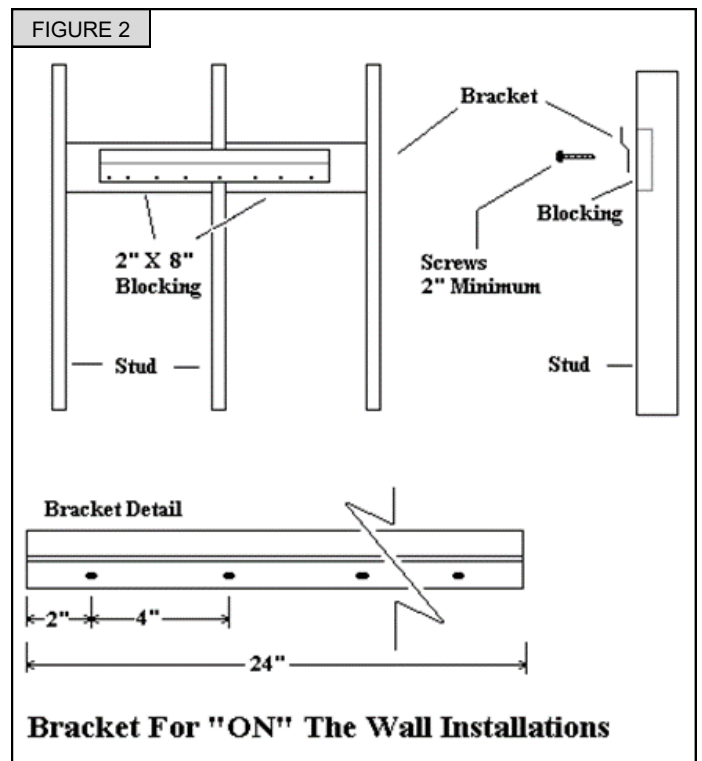
Flush Mount or "In the Wall" Applications (Figure 3)

Recess air handler 2" to provide adequate space for drain line connections. If a flush application is desired, a notch will need to be cut in the stud to allow for primary drain access.

Do not allow the air handler to protrude beyond the front of the stud, this will interfere with the louvered wall grille application. Use the 2 holes on each side to attach between studs. Make sure air handler is level and square before proceeding

DUCTWORK

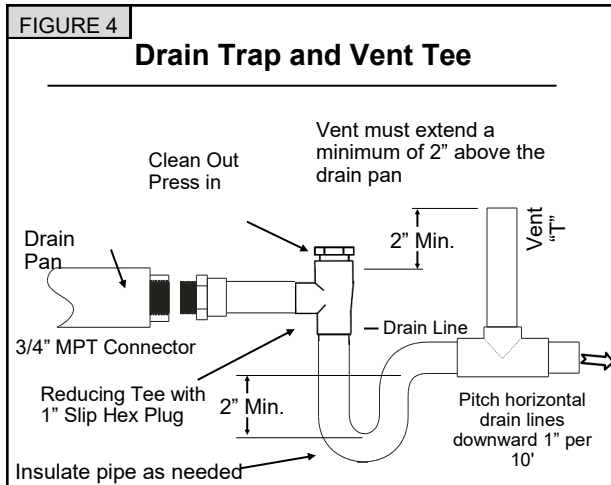
Ductwork should be fabricated and installed in accordance with local and/or national codes. This includes the standards of the National Fire Protection Association for installation of Air-Conditioning and Ventilating Systems, NFPA No. 90B.



INSTALL CONDENSATE DRAIN

Determine the drain connections to be used and note the difference between the primary and secondary openings. Remove plugs from selected drain openings. It is recommended that $\frac{3}{4}$ " male pipe thread PVC fittings be used at the condensate pan. **Hand tighten only!** ADP recommends thread sealant to be used on the PVC connector at the drain pan connection.

Tubing for all condensate drains should be a minimum of $\frac{7}{8}$ " OD. The drain should be pitched downward 1" per 10'. Install a trap as close to the coil as possible (2" minimum). Refer to figure 4.



Route drain line so that it does not interfere with accessibility to the coil, air handling system or filter and will not be exposed to freezing temperatures.

If line makes a second trap, or has an extended run before termination, a vent tee should be installed after the trap closest to the pan. Connect the primary drain and route to an open drain, sump, or sewer line.

CAUTION

If the coil is located in or above a living space where damage may result from condensate overflow, a separate $\frac{3}{4}$ " drain must be provided from the secondary drain connection (**or a Float Switch can be used - refer to kit instructions for installation procedures**). Run this drain to a place in compliance with local installation codes where it will be noticed when unit is operational. Condensate flowing from the secondary drain indicates a plugged primary drain.

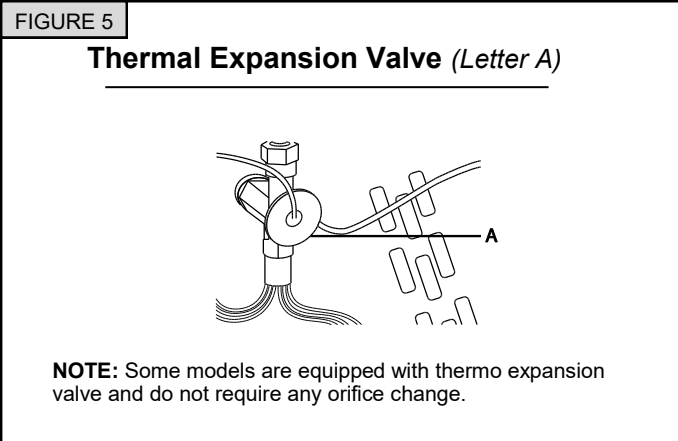
Prime the trap with water. Test line for leaks. Verify water flow with unit in operation.

Do not allow the drain pan coupling to support the weight of the drain line. Secure the drain line with a strap or other equivalent method to ensure the line is perpendicular to the face of the drain pan.

METERING DEVICE

Thermal Expansion Valve (TXV)

Factory Installed Expansion Valves: Sensing bulbs are factory installed and clamped to the suction line. For optimum performance, reattach and insulate the bulb at a 10 or 2 o'clock position outside of the cabinet to the main suction line no more than one foot from the suction line connection. If necessary, the bulb can be installed on a vertical suction line. In this instance, the bulb must be placed before any trap, with the bulb's capillary tube facing upward.



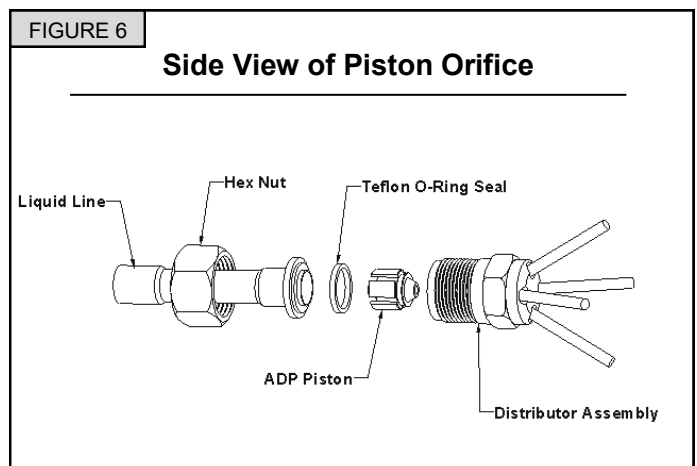
Pistons

IMPORTANT: For optimum performance, the piston should be sized to match the recommendation from the outdoor unit manufacturer. Consult the outdoor unit information to determine whether the indoor unit has the

correct orifice size.

When changing pistons, use the following procedure:

1. Loosen the hex nut located on liquid line and separate from distributor assembly.
2. Remove the existing piston from inside the distributor assembly.
3. Insert the desired piston into the distributor assembly.
4. Inspect Teflon O-Ring and replace if damaged. Ensure Teflon O-Ring is in place.
5. Re-install hex nut to body and torque to 10 ft-lbs.



REFRIGERANT PIPING

Refrigerant connections are 3/8" ODF Liquid and 3/4" ODF Suction. Refer to outdoor unit manufacturer's recommendation on line sizing. During brazing of refrigerant lines place a wet rag around suction line to protect cabinet or ceiling from overheating. Maintain a minimum of 1.5" from refrigerant brazing connections and cabinet or ceiling. Refer to nomenclature to determine type of flow control installed and needed for your application. Evaporator coils are shipped from the factory with florator pistons or TXV assemblies. Florator pistons and TXV kits are available for field conversion.

REFRIGERANT LINE INSTALLATION

Refrigerant lines must be connected by a licensed, EPA certified refrigerant technician in accordance with established procedures.

IMPORTANT:

- Connecting refrigerant lines must be clean, dehydrated, refrigerant-grade copper lines. Air handler coils should be installed only with specified line sizes for approved system combinations.

- Use care with the refrigerant lines during the installation process. Sharp bends or possible kinking in the lines will cause a restriction.

- Do not remove the caps from the lines or system connection points until connections are ready to be completed.

1. Route the suction and liquid lines from the fittings on the indoor coil to the fittings on the outdoor unit. Run the lines in a direct path, avoiding unnecessary turns and bends.
2. Ensure that the suction line is insulated over the entire exposed length and that both suction and liquid lines are not in direct contact with floors, walls, ductwork, floor joists, or other piping.
3. Connect the suction and liquid line to the evaporator coil.

4. To avoid damaging the rubber grommets in the cabinet while brazing, slide the rubber grommets over the refrigerant lines until they are away from the heat source.

5. Braze with an alloy of silver or copper and phosphorus with a melting point above 1,100°F. **NOTE:** Do not use soft solder.

6. Reinstall the rubber grommets after brazing is finished.

7. Make sure the outdoor air conditioning unit has been put in place according to the Installation Instructions and is connected to the refrigerant lines.

ADP recommends installing a filter drier and sight glass in the liquid line. While brazing, purge the system with Nitrogen to prevent contamination. ADP recommends reattaching and insulating the TXV sensing bulb at a 10 to 2 o'clock position on the suction line, outside the coil housing, no more than one foot from the connection. Evacuate the system to 500 microns to ensure proper air and moisture removal (**Note: Deep evacuation or triple evacuation method recommended**). Open the suction service valve slowly and allow the refrigerant to bleed into the system before opening the liquid service valve.

REFRIGERANT CHARGING INSTRUCTIONS

When charging in cooling mode, the outdoor temperature should be 60°F or higher. To allow the pressures to stabilize, operate the system a minimum of 15 minutes between adjustments. When adjusting charge to systems with micro-channel outdoor coils, make small (1 ounce or less) adjustments as these systems are very sensitive to refrigerant charge.

TXV Charging^{2, 3, 4} – Use the charging method recommended by the outdoor unit instructions. Alternatively, ADP recommends charging to 12°F sub-cooling for AC units and 10°F sub-cooling for heat pump units. In addition, if equipped with an adjustable valve, adjust to 10°F superheat.

Fixed Orifice Charging^{2, 3, 4} – For A1 (R-410A & R-22) refrigerant installation use the superheat recommended by the outdoor unit instructions. Alternatively, for A1 refrigerant installations ADP recommends charging to the superheat table below.

Outdoor Air Temp. (°F)	60	65	70	75	80	85	90	95	100	105	110	115
Superheat (°F)	31	28	25	22	20	16	13	10	8	6	5	5

For heat pump units initially charged in the cooling mode, final adjustments to charge in the heating mode are acceptable if necessary. Some heat pump units require charging in the heating mode. In this case, refer to the outdoor instructions for recommended charging procedures.

If the system is undercharged after the initial charge, add refrigerant until the sight glass is clear and recommended pressures, temperatures, sub-cooling and superheat can be obtained. If the system is overcharged after the initial charge, recover refrigerant until recommended pressures, temperatures, sub-cooling and superheat can be obtained.





Notes:

1. If any problems or questions regarding charge occur, contact customer service.
2. OEM charging methods vary depending on design and application. Verify all recommended pressures, temperatures, sub-cooling and superheat settings result in the proper charge.
3. ADP coils may require charge compensation due to size variation versus the OEM coil.
4. Temperatures are ±2°F unless otherwise recommended.

FILTERS

Filters are not provided with unit, and must be supplied and installed in the return air system by the installer. A field installed filter grille is recommended for easy and convenient access to the filters for periodic inspection and cleaning. Filters must have adequate face area for the rated air quantity of the unit.


ELECTRICAL REQUIREMENTS




 WARNING 
 <p>Electrical Shock Hazard</p>
<p>Electrically ground electric heater.</p> <p>Connect ground wire to ground terminal marked .</p> <p>Use copper wire rated for supply connection.</p> <p>Correct wire gauge is shown in the chart below.</p> <p>Failure to follow these instructions can result in death or electrical shock.</p>

NOTE: Use copper conductors only

- All field wiring must be done in accordance with National Electrical Code, applicable requirements of UL and local codes, where applicable.
- Electrical wiring, disconnect means and over-current protection are to be supplied by the installer. Refer to the air handler rating plate for maximum over-current protection, minimum circuit Ampacity, as well as operating voltage.
- The power supply must be sized and protected according to the specifications supplied on the product.
- This air handler is factory configured for 240 Volt, single phase, 60 cycles. For 208 Volt applications, see "208 Volt Conversion" in the "Make Electrical Connections" section.
- For optional electric heater applications refer to the instructions provided with the accessory for proper installation.

ELECTRICAL CONNECTIONS

1. Models with electric heat: Determine the number of circuits needed to supply the heater with electrical power. See the air handler Accessory Kit label for number of circuits and ratings.
2. Disconnect all power supplies.
3. Remove the control panel.
4. Using the pre-punched wiring holes, install UL listed wires and fittings.
5. Connect appropriate size wire to the pull disconnect terminals.
6. Connect green ground wire(s) (1 or 2) to the ground terminal(s) (1 or 2) marked .
7. Install conduit-opening plugs in any unused openings.
8. Reinstall the air handler control panel.
9. Reconnect power.
10. Dispose of all remaining parts.

 WARNING 
 <p>Electrical Shock Hazard</p>
<p>Disconnect all power supplies before servicing.</p> <p>Replace all parts and panels before operating.</p> <p>Failure to do so can result in death or electrical shock.</p>

LABEL INSTALLATION

Permanently mark the serial label with the appropriate A1 (R-410A & R-22) refrigerant & metering device used. See example below.

REFRIGERANT: FACTORY CONFIGURED FOR R-410A	
● FIELD INSTALLED AS R-410A	
○ FIELD CONFIGURED TO R-22	
	METERING DEVICE
	● TXV
	○ PISTON

AIR HANDLER CHECKS

Check Blower Operation

1. Set thermostat to FAN ON.
2. The indoor blower should come on.

Check Electric Heater (if used)

1. Set thermostat to call for auxiliary heat (approximately 5°F above ambient temperature). The indoor blower and auxiliary heat should come on together. Allow a minimum of three minutes for all sequencers to cycle on.
2. Set the thermostat so it does not call for heat. Allow up to five minutes for all sequencers to cycle off.

	WARNING	
		
Electrical Shock Hazard		
Disconnect all power supplies before servicing.		
Replace all parts and panels before operating.		
Failure to do so can result in death or electrical shock.		

Check Airflow

Cooling Blower Speed:

- For proper cooling operation, the airflow through the indoor coil should be between 350 and 450 CFM per ton of cooling capacity (350 - 450 CFM per 12,000 BTU/HR) based on the rating of the outdoor unit.
- The cooling blower speed is factory configured to provide correct airflow for an outdoor unit that matches the maximum cooling capacity rating of the air handler.
- If the outdoor unit is smaller than the maximum cooling capacity rating for the air handler, the cooling blower speed may need to be changed. Refer to "Blower Performance Data."

IMPORTANT: The cooling blower speed must be set to provide a minimum of 350 CFM airflow per ton (12,000 BTU/HR) of outdoor cooling capacity.

AIR HANDLER MAINTENANCE

At the beginning of each heating season the unit should be serviced by a qualified installer or servicing agency.

ASSISTANCE OR SERVICE

If you need further assistance, you may contact us at the address below with any questions or concerns. Please include a daytime phone number in your correspondence.

Advanced Distributor Products
1995 Air Industrial Park Road
Grenada, MS 38901
www.adpnow.com

ADP AIR HANDLER LIMITED WARRANTY

Term of Warranty

Advanced Distributor Products (ADP) warrants that products sold shall be of merchantable quality, free of defects in material and workmanship, under normal use and service, for a period of five (5) years from the date of installation, **not** to exceed six (6) years from the date of manufacture subject to the terms of ADP's limited warranty.

For information on this product's warranty, including accessing complete warranty terms, registering for an extended warranty* or instructions on filing a warranty claim, please go to www.ADPwarranty.com.

** In such states or provinces where registration requirements are prohibited, failure to complete registration by the consumer does not diminish his or her warranty rights.*

Equipment Information

Please *complete information below and retain this warranty for records and future reference.*

Unit Model Number: _____

Serial Number: _____

Installing Contractor: _____

Installation Date: _____

Phone: _____





2140 Lake Park Blvd, Richardson, TX 75080
www.adpnow.com



Instructions d'installation

Retour avant compact

Ventilo-convecteurs muraux

TABLE DES MATIÈRES	PAGE	PAGE	
Sécurité du ventilo-convecteur.....	1	Conduite de réfrigérant.....	10
Généralités.....	2	Installation de la conduite de réfrigérant.....	10
Schéma de câblage.....	3	Instructions de chargement du réfrigérant.....	10
Connexions du thermostat.....	5	Filtres.....	11
Données électriques.....	6	Exigences électriques.....	11
Rendement du ventilateur.....	7	Connexions électriques.....	11
Réception.....	8	Installation de l'étiquette.....	11
Exigences d'installation.....	8	Vérifications du ventilo-convecteur.....	12
Installation.....	8	Entretien du ventilo-convecteur.....	13
Conduits.....	8	Assistance ou service.....	13
Installation du drain de condensat.....	9	Garantie.....	14
Dispositif de mesure.....	9		

SÉCURITÉ DU VENTILO-CONVECTEUR

CONSIDÉRATIONS DE SÉCURITÉ

Votre sécurité et celle des autres sont très importantes.

Nous avons fourni de nombreux messages de sécurité importants dans ce manuel et sur votre appareil. Toujours lire et respecter tous les messages de sécurité.



Il s'agit du symbole d'alerte de sécurité.

Ce symbole vous avertit des dangers potentiels qui peuvent vous tuer ou vous blesser, ainsi que d'autres personnes.

Tous les messages de sécurité suivent le symbole d'alerte de sécurité et le mot de signal. Ces mots signifient ce qui suit :

DANGER: Vous pouvez être tué ou gravement blessé si vous ne suivez pas immédiatement les instructions.

AVERTISSEMENT: Indiquer une situation potentiellement dangereuse qui, si elle n'est pas évitée, peut entraîner la mort ou des blessures graves.

ATTENTION: Indique une situation potentiellement dangereuse qui, si elle n'est pas évitée, peut entraîner des blessures mineures ou modérées. Des précautions peuvent également être prises pour prévenir les pratiques dangereuses.

AVIS: Indique une déclaration de politique de l'entreprise car le message concerne directement ou indirectement la sécurité du personnel ou la protection des biens.

IMPORTANT: Des informations plus détaillées concernant l'énoncé de la politique de l'entreprise car le message concerne directement ou indirectement la sécurité du personnel ou la protection des biens.

Tous les messages de sécurité vous indiqueront le danger potentiel, vous indiqueront comment réduire le risque de blessure et vous indiqueront ce qui peut se passer si les instructions ne sont pas respectées.



ATTENTION





Cet appareil n'est pas conçu pour être utilisé par des personnes (y compris des enfants) ayant des capacités physiques, sensorielles ou mentales réduites, ou un manque d'expérience et de connaissances, sauf si elles ont été surveillées ou que des instructions ont été données concernant l'utilisation de l'appareil par une personne responsable de leur sécurité. Les enfants doivent être surveillés pour s'assurer qu'ils ne jouent pas avec l'appareil.



L'amélioration des produits est un processus continu chez Advanced Distributor Products. Par conséquent, les spécifications du produit peuvent être modifiées sans préavis et sans obligation de notre part. Veuillez contacter votre représentant ou distributeur ADP pour vérifier les détails.

© par Advanced Distributor Products. Tous droits réservés.

SÉCURITÉ DU VENTILO-CONVECTEUR

 **IMPORTANT** 



Cette unité est un CLIMATISEUR À UNITÉ PARTIELLE, conforme aux exigences de la présente norme en matière d'UNITÉ PARTIELLE, et ne doit être connectée qu'à d'autres unités qui ont été confirmées comme étant conformes aux exigences correspondantes de la présente norme, UL 60335-2-40/CSA C22.2 n° 60335-2-40, ou UL 1995/CSA C22.2 n° 236.

 **IMPORTANT** 

La loi sur la lutte contre la pollution atmosphérique (Clean Air Act) de 1990 interdit la mise à l'air volontaire du réfrigérant (CFC et HFC). Les méthodes de récupération approuvées doivent être respectées. La non conformité entraîne l'imposition éventuelle d'amendes et/ou l'emprisonnement.

 **AVIS** 

L'altitude maximale de l'application est de 3 200 m au-dessus du niveau de la mer.

 **IMPORTANT** 

Une installation, un réglage, une modification, une maintenance et/ou un entretien incorrects peuvent entraîner des dommages matériels ou des blessures graves, voire mortelles. L'installation et l'entretien doivent être assurés par un installateur de CVCA professionnel certifié (ou l'équivalent), une société de service ou le fournisseur du gaz.

 **IMPORTANT** 

Cette unité est une UNITÉ PARTIELLE; elle ne doit être connectée qu'à un appareil utilisant le même réfrigérant que celui indiqué sur la plaque signalétique de cette unité.

GÉNÉRALITÉS

Ces instructions sont données à titre indicatif uniquement et ne remplacent en aucun cas les codes nationaux ou locaux. La conformité à tous les codes locaux, provinciaux ou nationaux applicables à ce type d'équipement doit être déterminée avant l'installation.

Lire ce manuel d'instructions dans son intégralité, ainsi que les instructions fournies avec l'équipement séparé, avant de commencer l'installation.

Tous les modèles sont conçus pour utilisation à l'intérieur uniquement.

L'installation du ventilo-convecteur, du câblage sur place, des conduits d'air chaud, etc. doit être conforme aux exigences du Code national de l'électricité, ANSI/NFPA no. 70 (dernière édition) aux États-Unis, ainsi qu'aux lois d'État et ordonnances locales (y compris les codes de plomberie ou des eaux usées). Les autorités compétentes locales doivent être consultées avant l'installation. De telles régulations ou exigences applicables prévalent sur les instructions générales de ce manuel.

Installer le plénum d'air conditionné, les conduits et les filtres à air (non fournis) conformément à la norme NFPA 90B relative à l'installation des systèmes de climatisation et de chauffage à air chaud (dernière édition).

Certains modèles sont configurés pour le refoulement d'air ascendant uniquement et d'autres pour le refoulement d'air ascendant ou horizontal à gauche.

Ne pas retirer pas les ouvertures défonçables de l'armoire avant d'avoir déterminé quelles ouvertures devront être retirées pour l'installation.

Choisir la position d'installation finale qui convient le mieux aux conditions du site. Tenir compte des dégagements obligatoires,

 **AVERTISSEMENT** 

Choc électrique

Déconnecter l'alimentation électrique avant de procéder à l'entretien. 

Remettre toutes les pièces et panneaux en place avant de les utiliser.

Mettre le ventilo-convecteur à la terre.

Connecter le fil de terre à la borne de terre marquée.

Le non-respect de cette consigne peut entraîner la mort ou un choc électrique.

Danger d'explosion

Tenir les matériaux et vapeurs inflammables, comme l'essence, à l'écart de cette unité. 

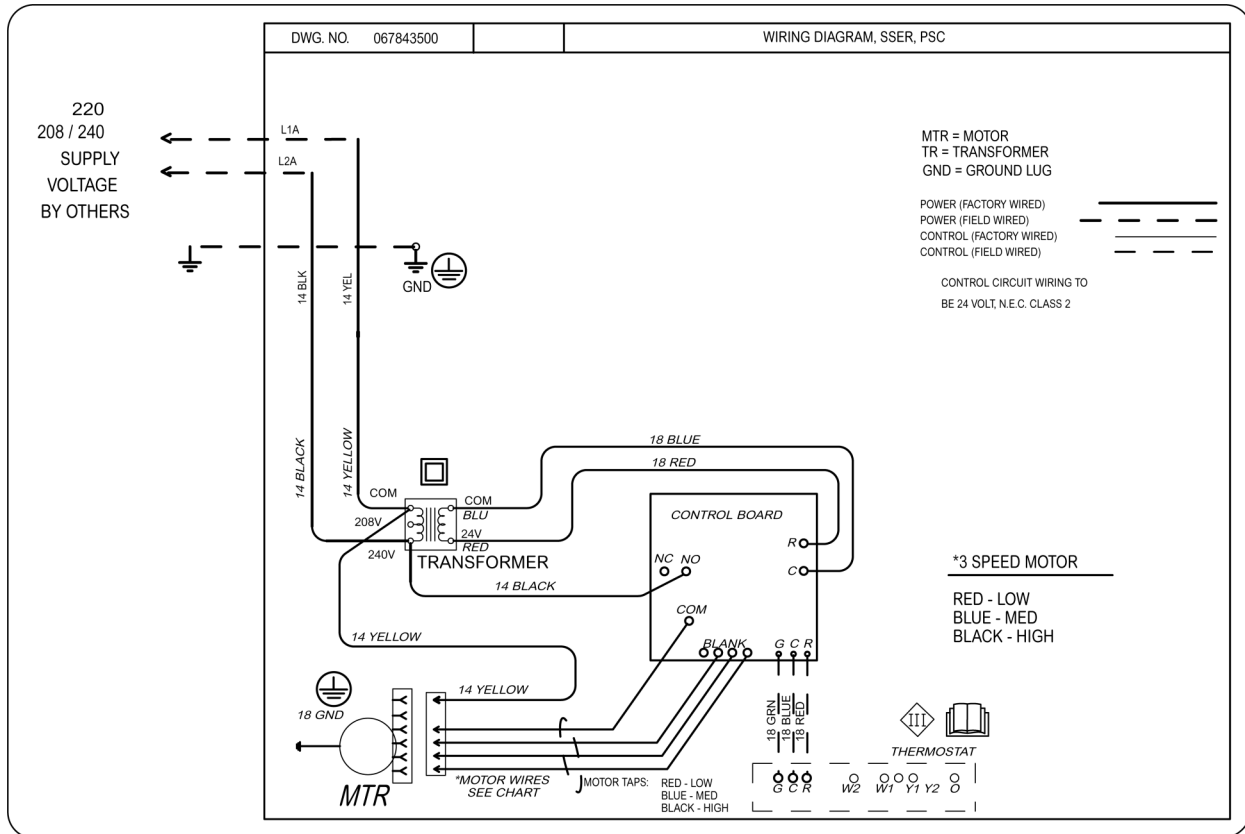
Placer cette unité de manière à ce que les éléments chauffants soient à au moins 18 po (46 cm) au-dessus du sol pour une isolation dans le garage.

Le non-respect de ces instructions peut entraîner la mort, une explosion ou un incendie.

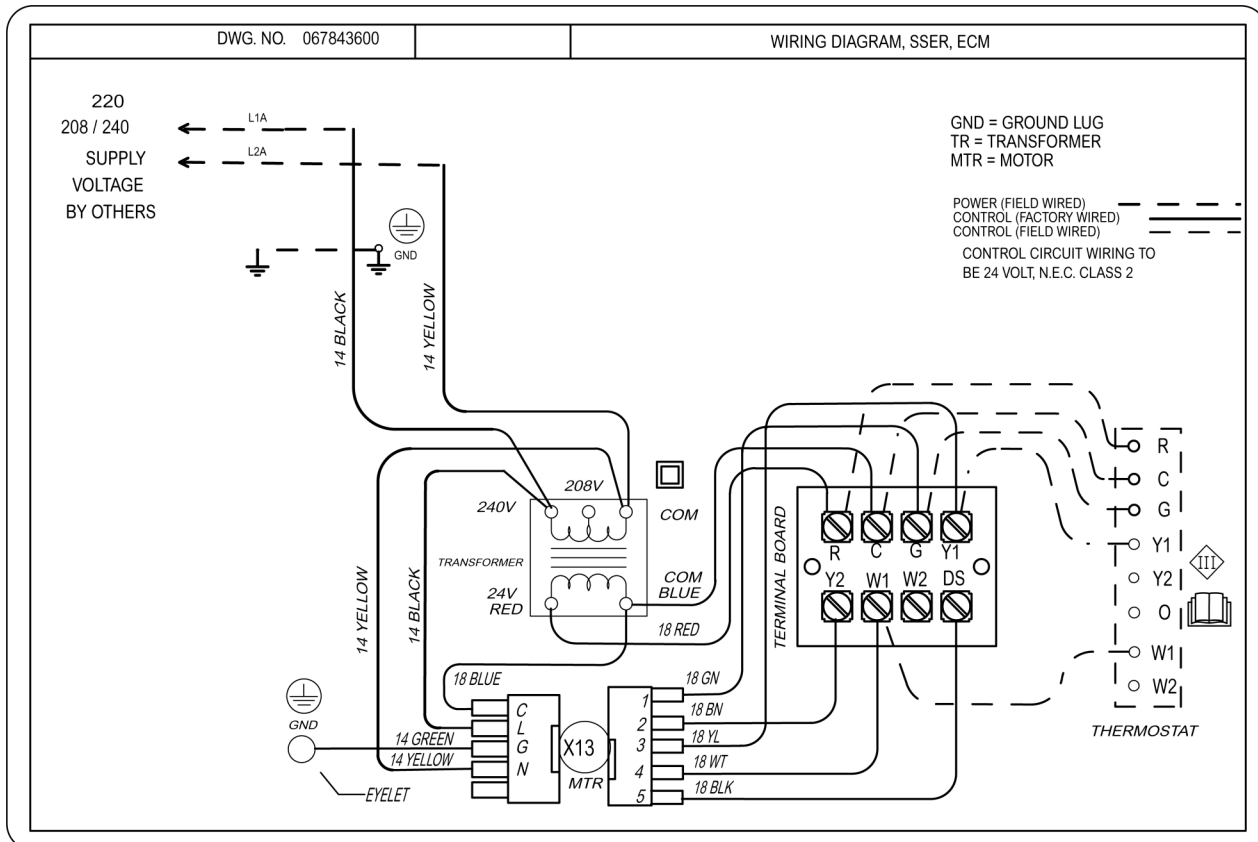
de l'espace, des exigences d'acheminement de la conduite de réfrigérant, de l'évacuation du condensat, des filtres, du système de conduits, du câblage et de l'accessibilité pour l'entretien. Se référer à la plaque signalétique du ventilo-convecteur pour des informations spécifiques.

SCHÉMA DE CÂBLAGE

Réf. Pièce : 67843500 | SCHÉMA DE CÂBLAGE, PSC, PAS DE CHAUFFAGE ÉLECTRIQUE

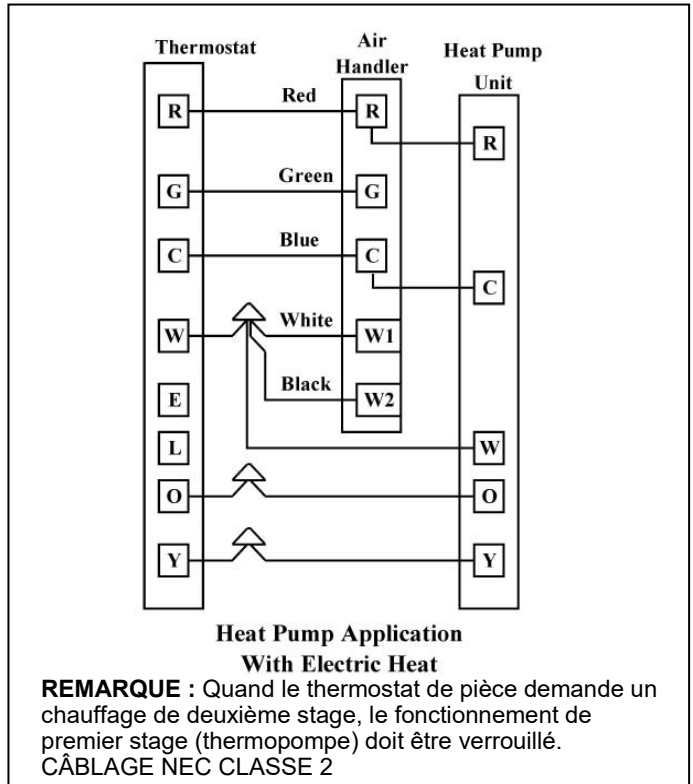
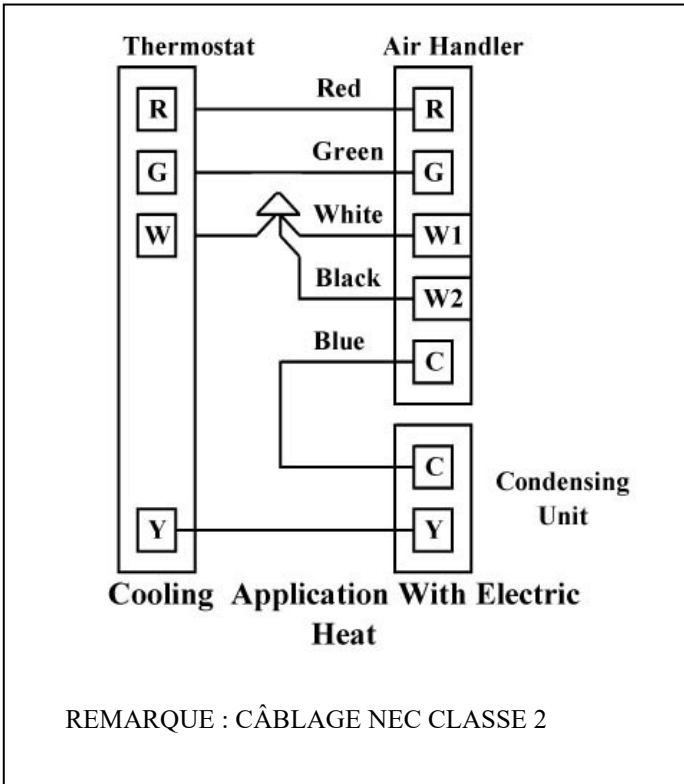


Réf. Pièce : 67843600 | SCHÉMA DE CÂBLAGE, ECM, PAS DE CHAUFFAGE ÉLECTRIQUE



CONNEXIONS DU THERMOSTAT BASSE TENSION

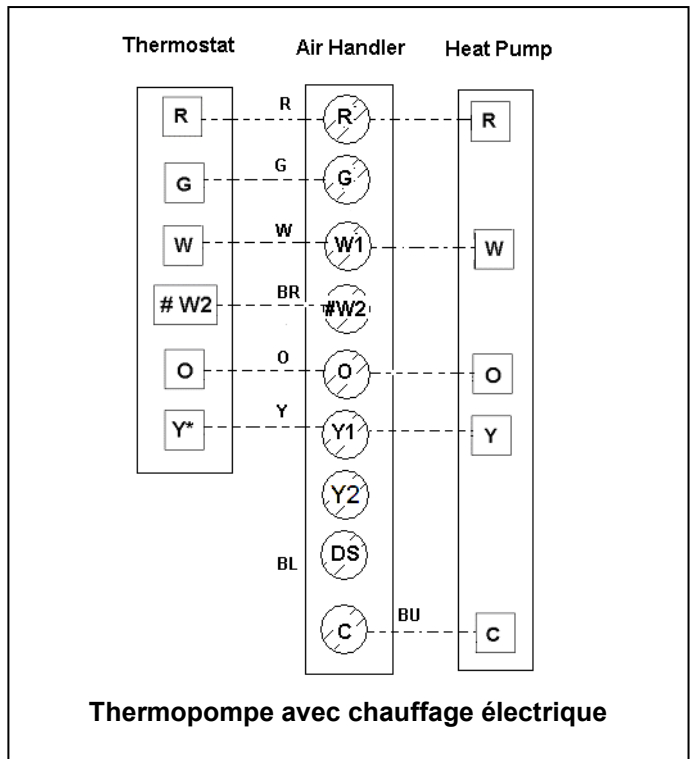
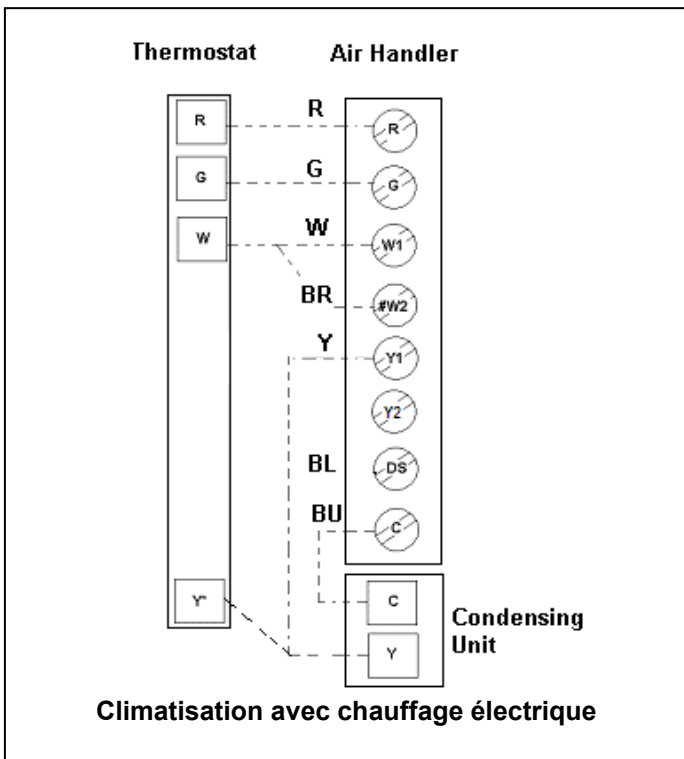
Connexions du thermostat : moteur à 3 vitesses



Connexions du thermostat basse tension – Moteur à couple constant ECM à 5 vitesses

Pour les unités extérieures à 2 stages :

- Utiliser le diagramme de débit d'air pour identifier le débit d'air désiré pour le fonctionnement de 1e et 2e étapes.
- Pour la 1ère étape, connecter Y1 du thermostat au robinet désiré sur le bornier.
- Pour la 2e étape, connecter Y2 du thermostat à la prise désirée du bornier.
- CÂBLAGE NEC CLASSE 2



DONNÉES ÉLECTRIQUES

Moteur PSC à 3 vitesses

Taille de l'unité (Tous ont un chauffage électrique)	Capacité de chauffage		Courant ventilateur (A)		Courant total (A)		Ampérage minimal du circuit (A)		Taille maximale du disjoncteur Par étape (A)	
	kW	BTUH								
	240 V ^[1]	240 V ^[1]	208 V	240 V	208 V	240 V	208 V	240 V	208 V	240 V
18	0	0	1,8	1,7	1,8	1,7	2,3	2,1	15	15
	5	17 061	1,8	1,7	19,9	22,5	24,8	28,2	25	30
	7,5	25 591	1,8	1,7	28,9	33,0	36,1	41,2	40	45
	10	34 121	1,8	1,7	37,9	43,4	47,4	54,2	50	60
24	0	0	1,8	1,7	1,8	1,7	2,3	2,1	15	15
	5	17 061	1,8	1,7	19,9	22,5	24,8	28,2	25	30
	7,5	25 591	1,8	1,7	28,9	33,0	36,1	41,2	40	45
	10	34 121	1,8	1,7	37,9	43,4	47,4	54,2	50	60
30	0	0	2,1	2	2,1	2,0	2,6	2,5	15	15
	5	17 061	2,1	2	20,2	22,8	25,2	28,5	30	30
	7,5	25 591	2,1	2	29,2	33,3	36,5	41,6	40	45
	10	34 121	2,1	2	38,2	43,7	47,8	54,6	50	60
36	0	0	2,1	2	2,1	2,0	2,6	2,5	15	15
	5	17 061	2,1	2	20,2	22,8	25,2	28,5	30	30
	7,5	25 591	2,1	2	29,2	33,3	36,5	41,6	40	45
	10	34 121	2,1	2	38,2	43,7	47,8	54,6	50	60

[1] Pour 208 volts, utiliser un facteur de correction de 0,751 pour kW et MBTUH.

Moteur ECM haute efficacité à 5 vitesses

Taille de l'unité (Tous ont un chauffage électrique)	Capacité de chauffage		Courant ventilateur (A)		Courant total (A)		Ampérage minimal du circuit (A)		Taille maximale du disjoncteur Par étape (A)	
	kW	BTUH								
	240 V ^[1]	240 V ^[1]	208 V	240 V	208 V	240 V	208 V	240 V	208 V	240 V
19	0	0	0,9	0,8	0,9	0,8	1,1	1,0	15	15
	5	17 061	0,9	0,8	19,0	21,6	23,7	27,0	25	30
	7,5	25 591	0,9	0,8	28,0	32,1	35,0	40,1	35	45
	10	34 121	0,9	0,8	37,0	42,5	46,3	53,1	50	60
25	0	0	1,8	1,7	1,8	1,7	2,3	2,1	15	15
	5	17 061	1,8	1,7	19,9	22,5	24,8	28,2	25	30
	7,5	25 591	1,8	1,7	28,9	33,0	36,1	41,2	40	45
	10	34 121	1,8	1,7	37,9	43,4	47,4	54,2	50	60
31	0	0	2,4	2,2	2,4	2,2	3,0	2,8	15	15
	5	17 061	2,4	2,2	20,5	23,0	25,6	28,8	30	30
	7,5	25 591	2,4	2,2	29,5	33,5	36,9	41,8	40	45
	10	34 121	2,4	2,2	38,5	43,9	48,1	54,8	50	60
37	0	0	3,1	2,9	3,1	2,9	3,9	3,6	15	15
	5	17 061	3,1	2,9	21,2	23,7	26,4	29,7	30	30
	7,5	25 591	3,1	2,9	30,2	34,2	37,7	42,7	40	45
	10	34 121	3,1	2,9	39,2	44,6	49,0	55,7	50	60
39	0	0	3,1	2,9	3,1	2,9	3,9	3,6	15	15
	5	17 061	3,1	2,9	21,2	23,7	26,4	29,7	30	30
	7,5	25 591	3,1	2,9	30,2	34,2	37,7	42,7	40	45
	10	34 121	3,1	2,9	39,2	44,6	49,0	55,7	50	60

[1] Pour 208 volts, utiliser un facteur de correction de 0,751 pour kW et MBTUH.

RENDEMENT DU VENTILATEUR

Moteur PSC à 3 vitesses

Taille de l'unité	Réglage de la vitesse de climatisation	Débit d'air (CFM) vs. Pression statique extérieure (pouces d'eau) ***				
		0,1	0,2	0,3	0,4	0,5
18	* ^ Mini - Rouge	559	529	606	591	576
	Méd - Bleu	802	784	751	722	693
	Maxi - Noir	1046	1013	987	943	885
24	Mini - Rouge	606	591	576	559	529
	* ^ Méd - Bleu	802	784	751	722	693
	Maxi - Noir	1046	1013	987	943	885
30	Mini - Rouge	816	809	802	775	752
	* ^ Méd - Bleu	1000	985	970	935	889
	Maxi - Noir	1218	1175	1122	1070	1008
36	Mini - Rouge	816	809	802	775	752
	Méd - Bleu	1000	985	970	935	889
	* ^ Maxi - Noir	1218	1175	1122	1070	1008

* Réglage usine pour la climatisation.

^ Réglage usine pour le chauffage.

*** Toutes les données de débit d'air sont fournies avec un serpentin sec, un filtre et un chauffage électrique.

Moteur ECM haute efficacité à 5 vitesses

Taille de l'unité	Réglage de la vitesse de climatisation	Débit d'air (CFM) vs. Pression statique extérieure (pouces d'eau) ***				
		0,1	0,2	0,3	0,4	0,5
19	Appuyez sur 1	547	484	366	309	268
	* Appuyez sur 2	651	600	566	516	466
	Appuyez sur 3	695	646	617	566	544
	^ Appuyez sur 4	742	700	669	627	600
	Appuyez sur 5	758	712	682	641	625
25	Appuyez sur 1	569	453	347	264	264
	Appuyez sur 2	659	600	569	518	475
	* Appuyez sur 3	847	800	787	744	722
	^ Appuyez sur 4	928	901	883	846	802
	Appuyez sur 5	970	944	927	891	864
31	Appuyez sur 1	656	600	567	522	473
	Appuyez sur 2	842	800	782	739	716
	* Appuyez sur 3	1059	1028	1004	972	946
	^ Appuyez sur 4	1106	1084	1053	1030	1000
	Appuyez sur 5	1137	1108	1085	1055	1031
37	Appuyez sur 1	848	800	769	726	692
	Appuyez sur 2	1051	1028	1000	956	930
	* Appuyez sur 3	1247	1215	1188	1161	1126
	^ Appuyez sur 4	1310	1279	1254	1228	1200
	Appuyez sur 5	1364	1334	1304	1279	1250
39	Appuyez sur 1	800	783	747	725	689
	Appuyez sur 2	1034	1003	987	959	937
	* Appuyez sur 3	1281	1253	1228	1207	1186
	^ Appuyez sur 4	1343	1314	1290	1261	1226
	Appuyez sur 5	1367	1342	1312	1277	1239

* Réglage usine pour la climatisation.

^ Réglage usine pour le chauffage.

*** Toutes les données de débit d'air sont fournies avec un serpentin sec, un filtre et un chauffage électrique.

RÉCEPTION

Vérifier que l'équipement n'a pas été endommagé pendant le transport. En cas de dommage, contacter immédiatement le dernier transporteur.

EXIGENCES

L'installation du ventilateur-convecteur, du câblage sur place, des conduits d'air chaud, etc. doit être conforme aux exigences du Code national de l'électricité, ANSI/NFPA no. 70 (dernière édition) aux États-Unis, ainsi qu'aux lois d'État et ordonnances locales (y compris les codes de plomberie ou des eaux usées). Les autorités compétentes locales doivent être consultées avant l'installation. De telles réglementations ou exigences applicables prévalent sur les instructions générales de ce manuel. Installer le plénum d'air conditionné, les conduits et les filtres à air (non fournis) conformément à la norme NFPA 90B relative à l'installation des systèmes de climatisation et de chauffage à air chaud (dernière édition). Cette unité est soumise au respect des dégagements par rapport aux matières combustibles indiqués sur la plaque signalétique de l'appareil. Les dégagements d'accessibilité et d'entretien doivent avoir préséance sur les dégagements par rapport aux matières combustibles.

INSTALLATION

Les ventilateurs-convecteurs de la série S sont adaptés au retour d'air libre lorsqu'ils sont enfermés dans un placard avec une porte à ailettes ou encastrés dans un mur. *Les unités doivent toujours être installées avec un boîtier.

Applications « sur le mur » (Figure 2)

Remarque: S'il est installé dans un placard, un registre ou une grille avec au moins 1 pied carré de surface par tonne de climatisation est nécessaire sur la porte.

Un support mural est inclus pour ce type de montage. Fixer le support au mur de manière à ce que l'extrémité « ouverte » soit orientée vers le haut, s'assurer que le support est de niveau et fixé aux goujons (un blocage de 2 x 8 po est recommandé entre les goujons à la hauteur du support). Des vis de 2 po sont nécessaires. Soulever l'unité et faire glisser le bord arrière du capuchon supérieur sur le support.

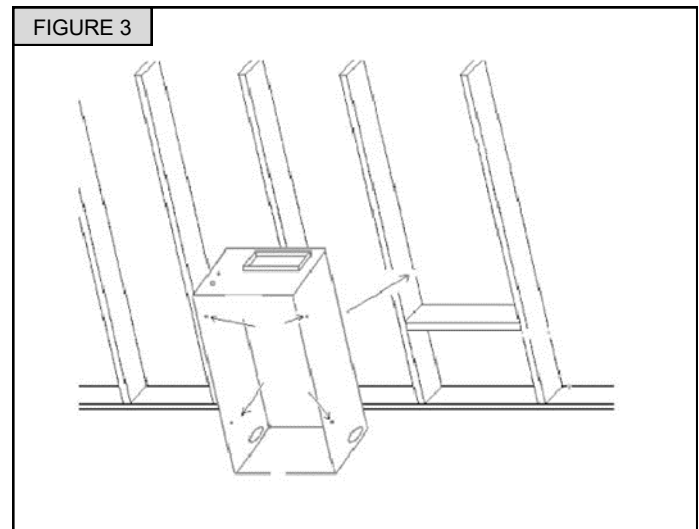
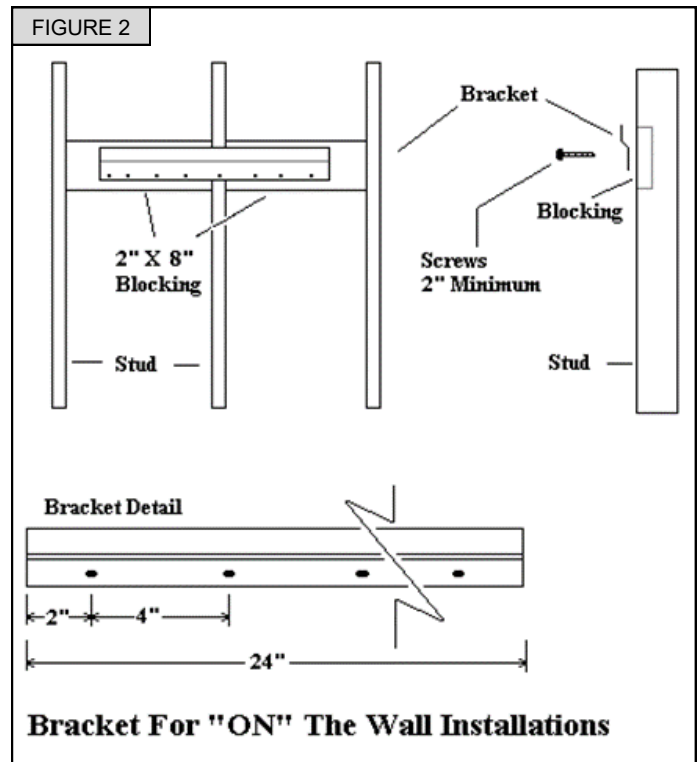
Installation encastrée ou « dans le mur » (Figure 3)

Encastrer le ventilateur-convecteur de 2 po pour prévoir un espace suffisant pour les connexions de la conduite de drainage. Si une application de rinçage est souhaitée, une encoche doit être coupée dans le goujon pour permettre l'accès au drain primaire.

Ne pas laisser le ventilateur-convecteur dépasser au-delà de l'avant du goujon, ce qui interférerait avec l'application de la grille murale à ailettes. Utiliser les 2 trous de chaque côté pour fixer entre les goujons. S'assurer que le ventilateur-convecteur est de niveau et carré avant de continuer.

CONDUITS

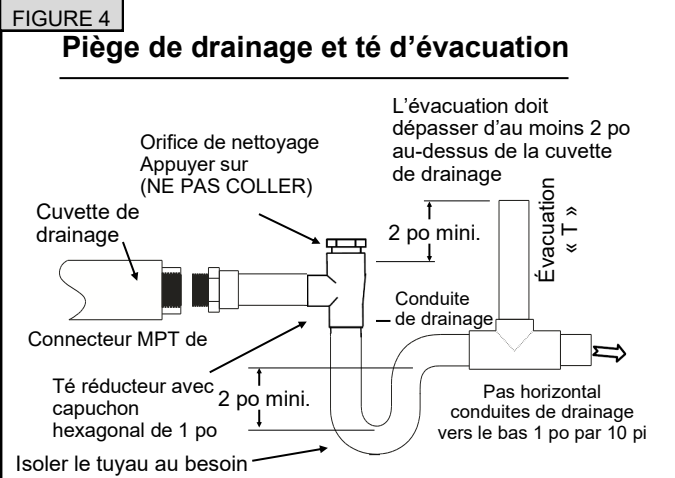
Les conduits doivent être fabriqués et installés conformément aux codes locaux et/ou nationaux. Cela comprend les normes NFPA n° 90B, National Fire Protection Association for installation of Air-Conditioning and Ventilating Systems.



INSTALLATION DU DRAIN DE CONDENSAT

Déterminer les connexions de drainage à utiliser et noter la différence entre les ouvertures primaire et secondaire. Retirer les bouchons des ouvertures de drainage sélectionnées. Il est recommandé d'utiliser des raccords en PVC filetés mâles de $\frac{3}{4}$ po au niveau de la cuvette de condensat. **Serrer à la main uniquement!** ADP recommande d'utiliser un agent d'étanchéité pour filetage sur le connecteur en PVC au niveau du raccord de la cuvette de drainage.

Le tuyau de tous les drains de condensat doit avoir un diamètre extérieur minimum de 7/8 po. Le drain doit être incliné vers le bas de 1 po par 10 po. Installer un purgeur aussi près que possible du serpentin (2 po minimum). Voir la Figure 4.



Acheminer la conduite de drainage de manière à ce qu'elle n'interfère pas avec l'accessibilité au serpentin, au système de traitement de l'air ou au filtre et qu'elle ne soit pas exposée au gel.

Si la conduite fait un deuxième purgeur ou a un tronçon prolongé avant la terminaison, un té d'évacuation doit être installé après le purgeur le plus proche du poêle. Connecter le drain primaire et l'acheminer vers un drain, un puisard ou une conduite d'égout ouverts.

ATTENTION

Si le serpentin est situé dans ou au-dessus d'un espace d'habitation où un débordement de condensat peut causer des dégâts, un drain séparé de $\frac{3}{4}$ po doit être fourni à partir du raccord de drainage secondaire (ou un contacteur à flotteur peut être utilisé - voir les instructions de l'ensemble pour les procédures d'installation). Amener ce drain à un endroit conforme aux codes d'installation locaux où il sera remarqué quand l'unité est opérationnelle. Le condensat s'écoulant du drain secondaire indique un drain primaire bouché.

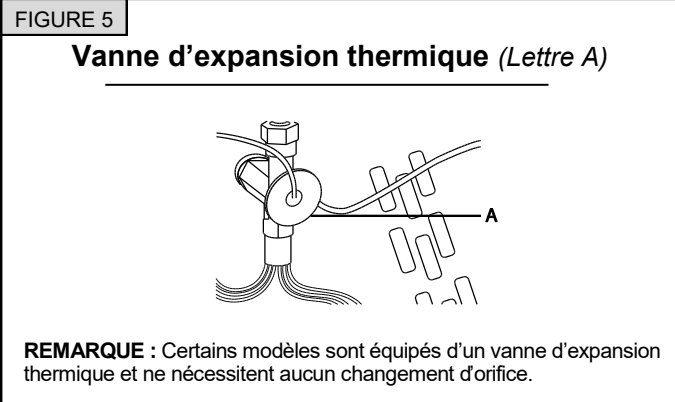
Amorcer le purgeur avec de l'eau. Tester la conduite pour détecter les fuites éventuelles. Vérifier le débit d'eau avec l'unité en fonctionnement.

Ne pas laisser le raccord de la cuvette de drainage supporter le poids de la conduite de drainage. Fixer la conduite de drainage à l'aide d'une sangle ou d'une méthode équivalente pour s'assurer qu'elle est perpendiculaire à la face de la cuvette de drainage.

DISPOSITIF DE MESURE

Vanne d'expansion thermique (TXV)

Vannes d'expansion installées en usine : Les ampoules de détection sont installées en usine et fixées à la conduite d'aspiration. Pour un rendement optimal, remonter et isoler le bulbe à 10 ou 2 heures à l'extérieur de l'enceinte de la conduite d'aspiration principale à moins d'un pied du raccord de la conduite d'aspiration. Au besoin, le bulbe peut être installé sur une conduite d'aspiration verticale. Dans ce cas, le bulbe doit être placé avant tout purgeur, le tube capillaire du bulbe orienté vers le haut.



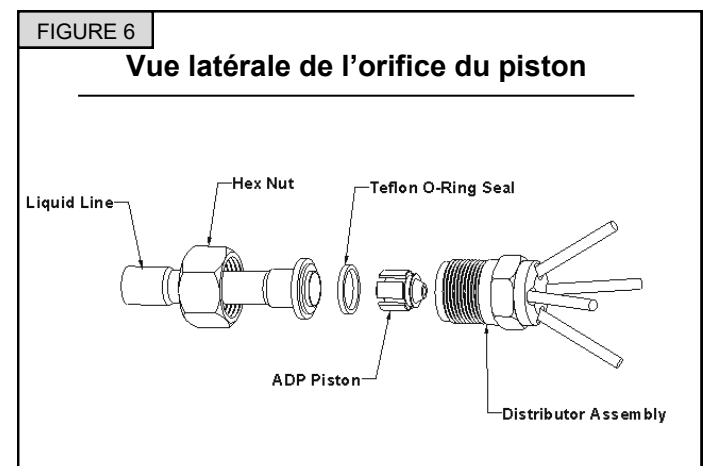
recommandations du fabricant de l'unité extérieure. Consulter les informations de l'unité extérieure pour déterminer si l'unité intérieure a la taille d'orifice correcte.

Pour changer les pistons, suivre la procédure suivante :

1. Desserrer l'écrou hexagonal situé sur la conduite de liquide et le séparer de l'ensemble distributeur.
2. Retirer le piston existant de l'ensemble distributeur.
3. Insérer le piston désiré dans le distributeur.
4. Inspecter le joint torique en Téflon et le remplacer s'il est endommagé. S'assurer que le joint torique en Téflon est en place.
5. Réinstaller l'écrou hexagonal sur le corps et serrer à 10 pi-lb.

Pistons

IMPORTANT: Pour un rendement optimal, le piston doit être dimensionné pour correspondre aux



CONDUITE DE RÉFRIGÉRANT

Les connexions de réfrigérant sont 3/8 po ODF Liquid et 3/4 po ODF Suction. Se reporter aux recommandations du fabricant de l'unité extérieure sur le dimensionnement de la conduite. Pendant le brasage des conduites de réfrigérant, placer un chiffon humide autour de la conduite d'aspiration pour protéger l'enceinte ou le plafond de la surchauffe. Maintenir un minimum de 1,5 po à partir des connexions de brasage du réfrigérant et de l'enceinte ou du plafond. Voir la nomenclature pour déterminer le type de contrôle du débit installé et nécessaire pour votre application. Les serpentins d'évaporateur sont expédiés d'usine avec des pistons de fluteur ou des ensembles TXV. Des pistons de ventilateur et des ensembles TXV sont disponibles pour conversion sur place.

INSTALLATION DE LA CONDUITE DE RÉFRIGÉRANT

Les conduites de réfrigérant doivent être connectées par un technicien certifié par l'EPA conformément aux procédures établies.

IMPORTANT:

- Le raccordement des conduites de réfrigérant doit être effectué en cuivre propre, déshydraté et de qualité réfrigérante. Les serpentins du ventilo-convecteur ne doivent être installés qu'avec les dimensions de conduite spécifiées pour les combinaisons de systèmes approuvées.
 - Faire attention aux conduites de réfrigérant pendant l'installation. Des coudes coupants ou des coudes dans les conduites peuvent causer une restriction.
 - Ne pas retirer les capuchons des conduites ou des points de connexion du système. Les connexions de l'unité sont prêtes à être effectuées.
- Acheminer les conduites d'aspiration et de liquide des raccords du serpentin intérieur aux raccords de l'unité extérieure. Faire passer les conduites dans un chemin direct, évitant ainsi les virages et les coudes inutiles.
 - S'assurer que la conduite d'aspiration est isolée sur toute la longueur exposée et que les conduites d'aspiration et de liquide ne sont pas en contact direct avec les sols, murs, gaines, solives de sol ou autres conduites.
 - Raccorder la conduite d'aspiration et la conduite de liquide au serpentin d'évaporateur.

- Pour éviter d'endommager les œillets en caoutchouc de l'enceinte pendant le brasage, faire glisser les œillets en caoutchouc sur les conduites de réfrigérant jusqu'à ce qu'ils soient éloignés de la source de chaleur.
- Braser avec un alliage d'argent ou de cuivre et de phosphore avec un point de fusion supérieur à 1100 °F. **REMARQUE** : Ne pas utiliser de soudure douce.
- Réinstaller les œillets en caoutchouc une fois le brasage terminé.
- S'assurer que l'unité extérieure a été mis en place conformément aux instructions d'installation et est connecté aux conduites de réfrigérant.

ADP recommande d'installer un filtre déshydrateur et une vitre dans la conduite de liquide. Pendant le brasage, purger le système avec de l'azote pour éviter toute contamination. ADP recommande de rattacher et d'isoler le bulbe de détection TXV à 10 à 2 heures sur la conduite d'aspiration, à l'extérieur du boîtier du serpentin, à moins d'un pied de la connexion. Évacuer le système à 500 microns pour assurer une évacuation correcte de l'air et de l'humidité (**Remarque** : Une évacuation profonde ou une triple évacuation est recommandée). Ouvrir lentement la vanne de service d'aspiration et laisser le réfrigérant s'écouler dans le système avant d'ouvrir la vanne de service de liquide.

INSTRUCTIONS DE CHARGEMENT DU RÉFRIGÉRANT

En mode Climatisation, la température extérieure doit être supérieure ou égale à 60 °F. Pour que les pressions se stabilisent, faire fonctionner le système pendant au moins 15 minutes entre les réglages. Lors du réglage de la charge des systèmes équipés de serpentins extérieurs à microcanaux, effectuer de petits ajustements (1 once ou moins) car ces systèmes sont très sensibles à la charge de réfrigérant.

Charge TXV^{2, 3, 4} – Utiliser la méthode de charge recommandée par les instructions de l'unité extérieure. ADP recommande également de charger à un sous-refroidissement de 12 °F pour les unités CA et à un sous-refroidissement de 10 °F pour les thermopompe. De plus, si la vanne est réglable, régler à 10 °F de surchauffe.

Charge à orifice fixe^{2, 3, 4} – Pour l'installation du réfrigérant A1 (R-410A et R-22), utiliser la surchauffe recommandée par les instructions de l'unité extérieure. Pour les installations avec réfrigérant A1, ADP recommande de charger sur le tableau de surchauffe ci-dessous.

Temp. air extérieur (°F)	60	65	70	75	80	85	90	95	100	105	110	115
Surchauffe (°F)	31	28	25	22	20	16	13	10	8	6	5	5

Pour les thermopompe initialement chargées en mode Climatisation, les réglages finaux pour charger en mode Chauffage sont acceptables au besoin. Certaines thermopompe doivent être chargées en mode Chauffage. Dans ce cas, se reporter aux instructions extérieures pour les procédures de charge recommandées.

Si le système est sous-chargé après la charge initiale, ajouter du réfrigérant jusqu'à ce que la vitre de vision soit dégagée et que les pressions, températures, sous-refroidissement et surchauffe recommandées puissent être obtenues. Si le système est surchargé après la charge initiale, récupérer le réfrigérant jusqu'à ce que les pressions, températures, sous-refroidissement et surchauffe recommandés puissent être obtenus.

Remarques :

- En cas de problème ou de question concernant les frais, contacter le service à la clientèle.
- Les méthodes de charge des FEO varient en fonction de la conception et de l'application. Vérifier que toutes les pressions, températures, sous-climatisation et réglages de surchauffe recommandés produisent la charge correcte.
- Les serpentins APD peuvent nécessiter une compensation de charge en raison de la variation de taille par rapport au serpentin OEM.
- Les températures sont de ± 2 °F sauf recommandation contraire.

FILTRES

Les filtres ne sont pas fournis avec l'unité et doivent être fournis et installés dans le système de retour d'air par l'installateur. Une grille de filtration installée sur place est recommandée pour un accès facile et pratique aux filtres pour une inspection et un nettoyage périodiques. Les filtres doivent avoir une surface de face suffisante pour la quantité d'air nominale de l'unité.

EXIGENCES ÉLECTRIQUES

AVERTISSEMENT

Risque d'électrocution!

Mettre l'aérotherme électrique à la terre.

Connecter le fil de terre à la borne de terre marquée .

Utiliser un fil de cuivre homologué pour le raccordement de l'alimentation.

Le tableau ci-dessous indique le calibre de fil correct.

Le non-respect de ces instructions peut entraîner la mort ou un choc électrique.

REMARQUE : Utiliser uniquement des conducteurs en cuivre

- Tout le câblage sur place doit être effectué conformément au National Electrical Code, aux exigences applicables des codes UL et locaux, le cas échéant.
- Le câblage d'alimentation, les moyens de déconnexion et la protection contre les surtensions doivent être fournis par l'installateur. Se reporter à la plaque signalétique du ventilateur-convecteur de la série MX pour la protection maximale contre les surtensions, l'ampérage minimum du circuit et la tension de fonctionnement.
- L'alimentation électrique doit être dimensionnée et protégée conformément aux spécifications fournies avec le produit.
- Ce ventilateur-convecteur est configuré en usine pour 240 V monophasé, 60 cycles. Pour les applications 208 volts, voir « Conversion 208 volts » à la section « Effectuer des connexions électriques ».
- Pour les applications optionnelles avec aérotherme électrique, se reporter aux instructions fournies avec l'accessoire pour une installation correcte.

RACCORDEMENTS ÉLECTRIQUES

1. Modèles avec chauffage électrique : Déterminer le nombre de circuits nécessaires pour alimenter l'aérotherme en électricité. Voir l'étiquette de l'ensemble d'accessoires du ventilateur-convecteur pour le nombre de circuits et les valeurs nominales.
2. Déconnecter toutes les sources d'alimentation.
3. Retirer le panneau de commande.
4. Installer les fils et raccords homologués UL à l'aide des trous de câblage prépercés.
5. Connecter un fil de taille appropriée aux bornes du sectionneur.
6. Raccorder le ou les fil(s) de terre verts (1 ou 2) à la ou aux borne(s) de terre (1 ou 2) portant la mention .
7. Installer les bouchons d'ouverture des conduits dans les ouvertures inutilisées.
8. Réinstaller le panneau de commande du ventilateur-convecteur.
9. Rebrancher l'alimentation électrique.
10. Éliminer toutes les autres pièces.

AVERTISSEMENT

Risque d'électrocution!

Déconnecter toutes les sources d'alimentation avant de procéder à l'entretien.

Remettre toutes les pièces et panneaux en place avant de les utiliser.

Le non-respect de cette consigne peut entraîner la mort ou un choc électrique.

INSTALLATION DE L'ÉTIQUETTE

Repérer en permanence l'étiquette de série avec le réfrigérant et le dispositif de mesure A1 (R-410A et R-22) appropriés utilisés. Voir exemple ci-dessous.

REFRIGERANT: FACTORY CONFIGURED FOR R-410A
● FIELD INSTALLED AS R-410A
○ FIELD CONFIGURED TO R-22

METERING DEVICE
● TXV
○ PISTON

VÉRIFICATIONS DU MANUTENTEUR D'AIR

Vérifier fonct. du ventilateur

1. Mettre le thermostat sur VENTILATEUR.
2. Le ventilateur intérieur doit s'allumer.

Vérifier le réchauffeur électrique (le cas échéant)

1. Régler le thermostat pour demander le chauffage auxiliaire (environ 5 °F au-dessus de la température ambiante). Le ventilateur intérieur et le chauffage auxiliaire doivent s'allumer ensemble. Laisser tous les séquenceurs fonctionner pendant au moins trois minutes.
2. Régler le thermostat de manière à ce qu'il ne demande pas de chauffage. Prévoir jusqu'à cinq minutes pour que tous les séquenceurs s'éteignent.

	AVERTISSEMENT	
		
Risque d'électrocution!		
Déconnecter toutes les sources d'alimentation avant de procéder à l'entretien.		
Remettre toutes les pièces et panneaux en place avant de les utiliser.		
Le non-respect de cette consigne peut entraîner la mort ou un choc électrique.		

Vérifier le débit d'air

Vitesse de ventilateur de climatisation :

- Pour un fonctionnement correct, le débit d'air à travers le serpentin intérieur doit être compris entre 350 et 450 pi³/min par tonne de puissance de climatisation (350 - 450 pi³/min par 12 000 BTU/h) en fonction de la puissance de l'unité extérieure.
- La vitesse de ventilateur de climatisation est configurée en usine pour fournir un débit d'air correct pour une unité extérieure qui correspond à la puissance de refroidissement maximale du ventilo-convecteur.
- Si l'unité extérieure est inférieure à la puissance de refroidissement maximale du ventilo-convecteur, il peut être nécessaire de modifier la vitesse de ventilateur de climatisation. Voir « Données de rendement du ventilateur ».

IMPORTANT: La vitesse de ventilateur de climatisation doit être réglée pour fournir un débit d'air minimum de 350 pi³/min par tonne (12 000 BTU/h) de capacité de climatisation extérieure.

ENTRETIEN DU VENTIL-CONVECTEUR

Au début de chaque saison de chauffage, l'unité doit être entretenue par un installateur ou une société d'entretien qualifié.

ASSISTANCE OU SERVICE

Si vous avez besoin d'aide, vous pouvez nous contacter à l'adresse ci-dessous pour toute question ou préoccupation. Veuillez indiquer un numéro de téléphone de jour dans votre correspondance.

Advanced Distributor Products
1995 Air Industrial Park Road
Grenada, MS 38901
www.adpnow.com

GARANTIE LIMITÉE SUR LE VENTIL-CONVECTEUR ADP

Durée de la garantie

Advanced Distributor Products (ADP) garantit que ses produits vendus seront de qualité marchande, exempts de défauts de matière et de main-d'œuvre, dans des conditions d'utilisation et d'entretien normales, pendant une période de cinq (5) ans à compter de la date d'installation, **sans** dépasser six (6) ans à compter de la date de fabrication, sous réserve des conditions de la garantie limitée d'ADP.

Pour en savoir plus sur la garantie de ce produit, y compris l'accès aux conditions de garantie complètes, l'enregistrement pour une garantie prolongée* ou les instructions pour déposer une réclamation au titre de la garantie, veuillez vous rendre sur www.ADPwarranty.com.

** Dans les États ou provinces où les exigences d'enregistrement sont interdites, le fait de ne pas terminer l'enregistrement par le consommateur ne réduit pas ses droits à la garantie.*

Information sur l'équipement

Veuillez écrire les renseignements demandés ci-dessous et conserver la présente garantie dans vos dossiers, pour consultation future.

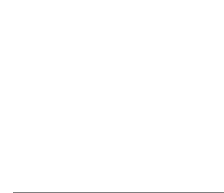
Numéro de modèle de l'unité : _____

Numéro de série : _____

Entrepreneur installateur : _____

Date d'installation : _____

Téléphone : _____





2140 Lake Park Blvd, Richardson, TX 75080, États-Unis
www.adpnow.com

