



# Installation Instructions

## MX Series

### Indoor Modular Blowers—ModuleFlex®

Electric or Hot Water Heat

TABLE OF CONTENTS	PAGE	PAGE	
Air Handler Safety .....	1	Ductwork Requirements .....	9
Wiring Diagrams.....	2	Blower and Coil Assembly .....	10
Thermostat Connections .....	4	Install Ductwork.....	11
Blower Performance Data .....	5	Make Electrical Connections.....	11
Inspect Shipment .....	6	Hot Water Coil Flushing .....	12
Installation Requirements.....	6	Hot Water Coil Installation.....	13
Tools and Parts.....	6	Complete Installation.....	14
Location Requirements .....	7	Sequence of Operation .....	15
Installation Clearances.....	7	MX Series Air Handler Maintenance .....	18
Installation Configurations.....	7	Assistance or Service.....	18
Electrical Requirements .....	9	Warranty.....	19

WARNING

To install the MX Series Air Handler in the horizontal position a (2") clearance must be maintained between the apex of the evaporator coil and the top of the coil's cabinet. Therefore, the ADP multi-position evaporator coils listed below cannot be used in the horizontal position with the MX Series Air Handler. The HD Series and V Series dedicated horizontal coils are recommended for these applications.

Slab numbers: A07, A15, E27, E37, E48, E50, E55, E57, E87, and E88.


Slab numbers E25 and E35 in 21.5"h cabinet.

Slab number E54 in 29.5"h cabinet.

## AIR HANDLER SAFETY

**Your safety and the safety of others are very important.**

We have provided many important safety messages in this manual and on your appliance. Always read and obey all safety messages.



This is the safety alert symbol.

This symbol alerts you to potential hazards that can kill or hurt you and others.

All safety messages will follow the safety alert symbol and either the word "DANGER" or "WARNING." These words mean:

**DANGER:** You can be killed or seriously injured if you don't immediately follow instructions.

**WARNING:** You can be killed or seriously injured if you don't follow instructions.

All safety messages will tell you what the potential hazard is, tell you how to reduce the chance of injury, and tell you what can happen if the instructions are not followed.



Product improvement is a continuous process at Advanced Distributor Products. Therefore, product specifications are subject to change without notice and without obligation on our part. Please contact your ADP representative or distributor to verify details.

© by Advanced Distributor Products. All rights reserved.

## CAUTION

This appliance is not intended for use by persons (including children) with reduced physical, sensory or mental capabilities, or lack of experience and knowledge, unless they have been given supervision or instruction concerning use of the appliance by a person responsible for their safety. Children should be supervised ensure that they do not play with the appliance.

## NOTICE

This unit is a PARTIAL UNIT AIR CONDITIONER, complying with PARTIAL UNIT requirements of this Standard, and must only be connected to other units that have been confirmed as complying to corresponding PARTIAL UNIT requirements of this Standard, UL 60335-2-40/CSA C22.2 No. 60335-2-40, or UL 1995/CSA C22.2 No 236.

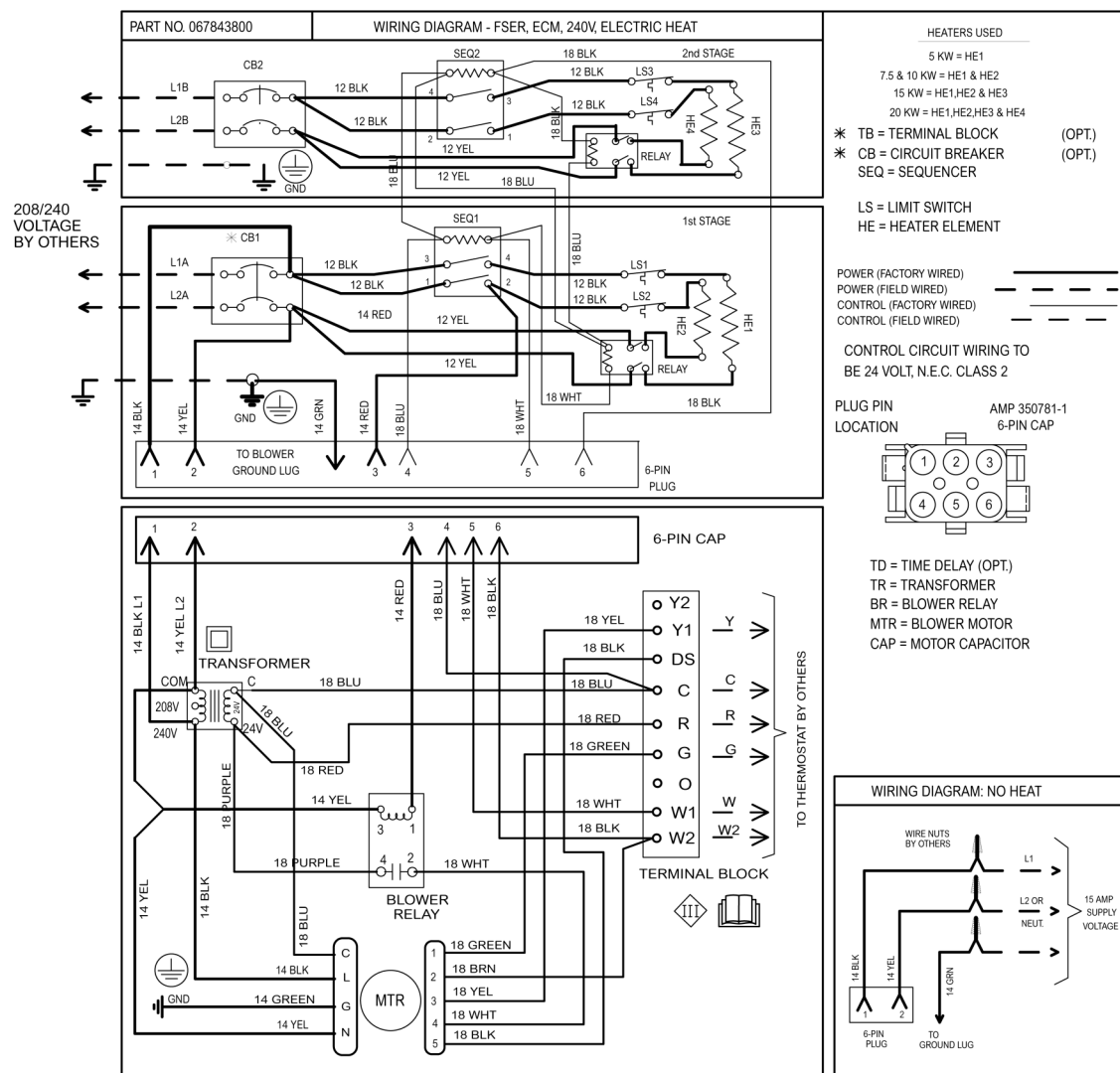
## IMPORTANT

Improper installation, adjustment, alteration, service or maintenance can cause property damage, personal injury or loss of life. Installation and service must be performed by a licensed professional HVAC installer or equivalent, service agency, or the gas supplier.

## NOTICE

Maximum altitude of application is 3200 m above sea level.

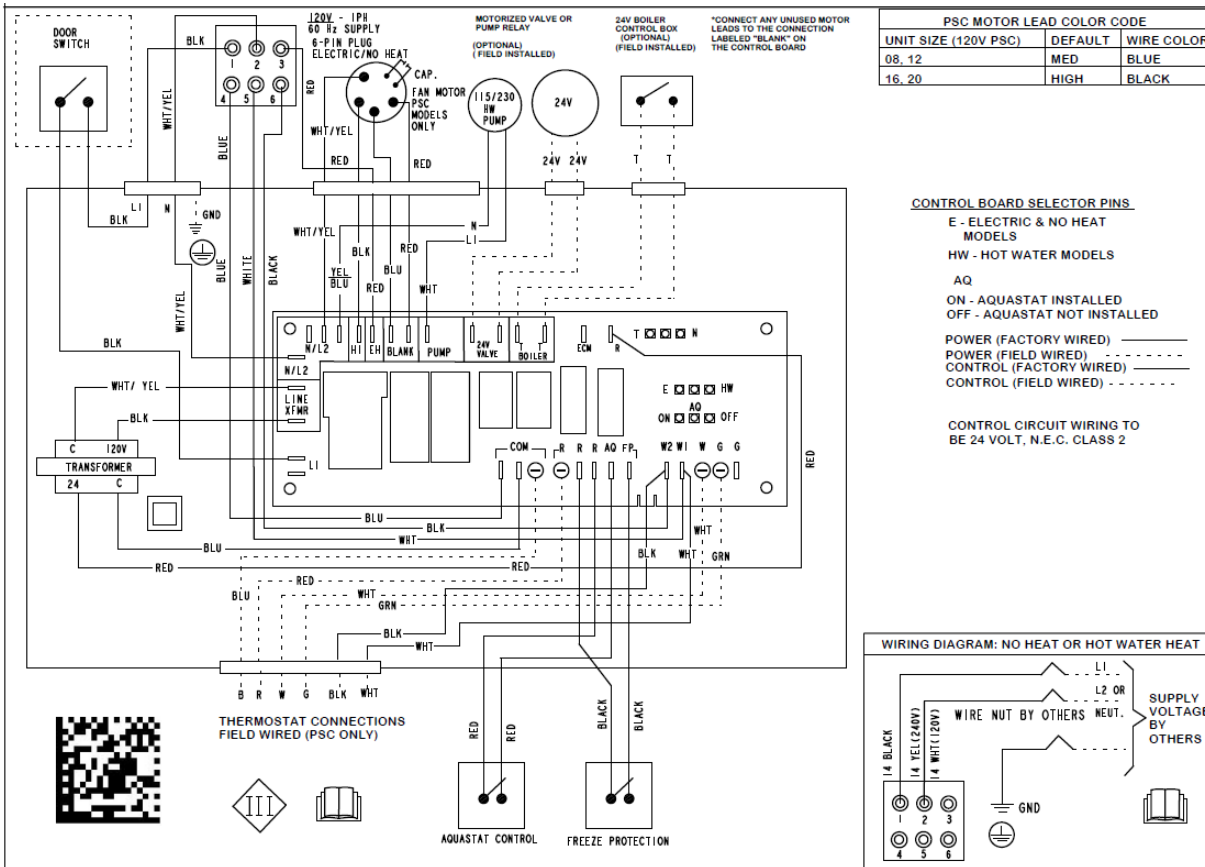
## WIRING DIAGRAMS



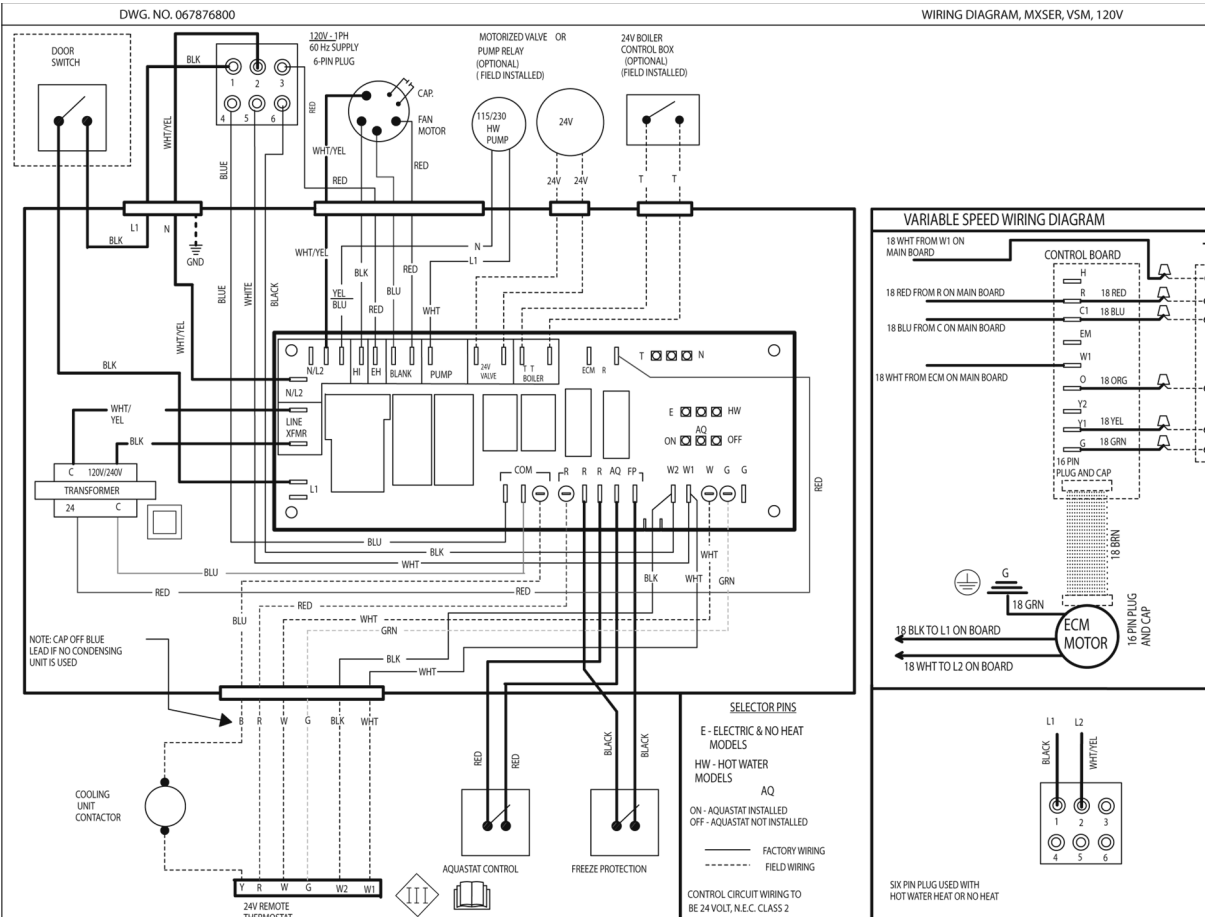
**NOTE:** 6-Pin Plug serves as connection for electric heat kits to control board.

If your unit is equipped with a multi-function control board, then for electric heat installations insure that heat selector pin is set to "E".

PART NO. 67844700 | WIRING DIAGRAM - MX, PSC, 120 V, HW



PART NO. 67876800 | WIRING DIAGRAM - MX, VSM, 120 V, HW



# THERMOSTAT CONNECTIONS

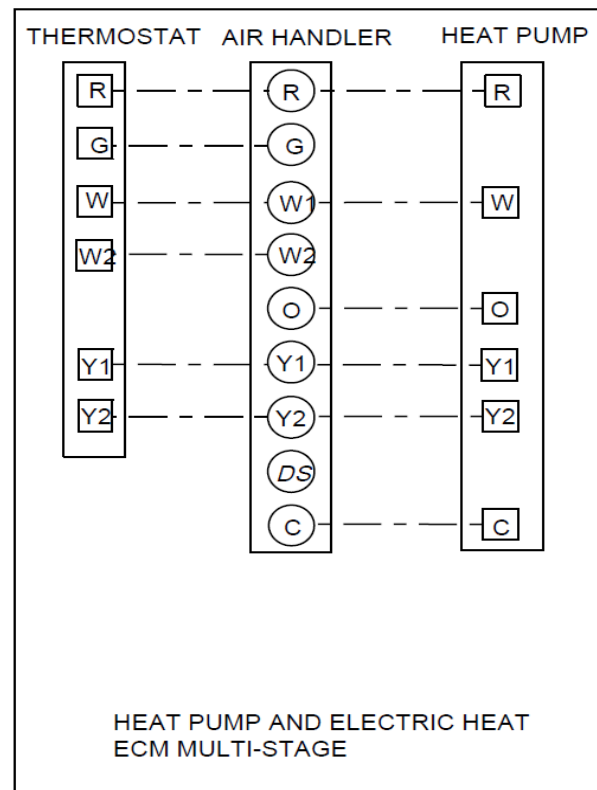
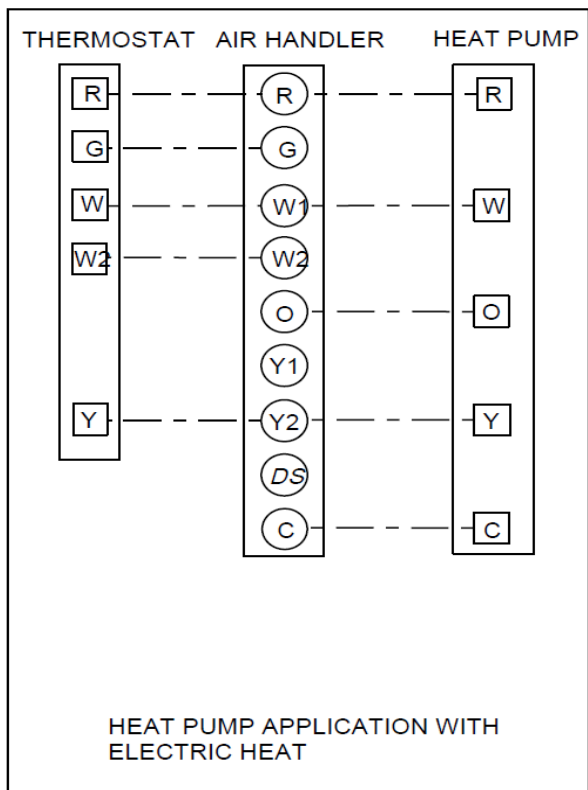
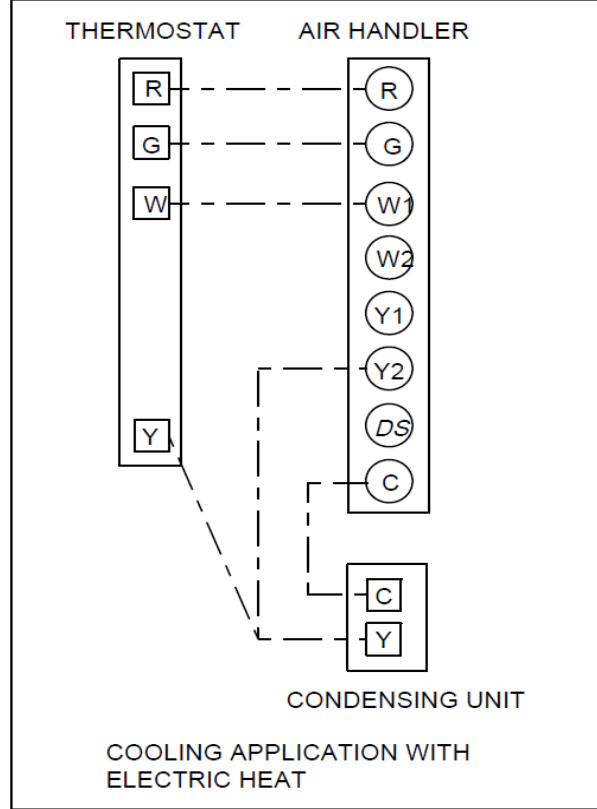
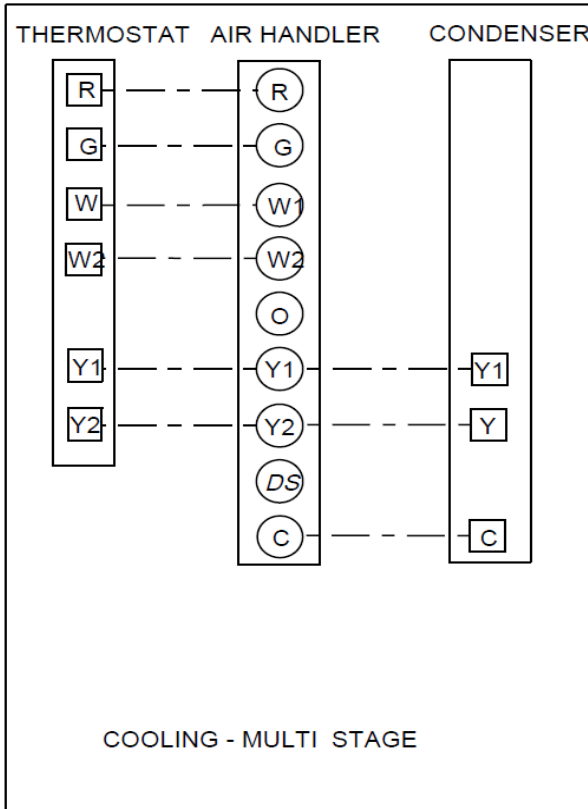
## 5-Speed Motor (Electric Heat)

Maximum allowable current draw from power-stealing thermostats or other accessories is 18 mA. Exceeding this value may cause the Air Handler control board to operate abnormally.

For 2 stage outdoor units:

Identify desired tap/CFM for 1st stage from airflow chart and move motor lead on terminal board to Y1.

Identify desired tap/CFM for 2nd stage from airflow chart and move motor lead on terminal board to Y2.



## BLOWER PERFORMANCE

Speeds marked in **bold with an asterisk\*** are the factory speed settings for cooling.

All data is given while air handler is operating with a dry coil and air filter installed.

These are nominal values and blower performance can vary higher or lower from these values based on the evaporator coil that is used.

Hot water heat airflow performance data includes associated air pressure drop across a 4 row hot water coil for Unit Size 08, 12, & 16;  
air pressure drop across a 3 row hot water coil for Unit Size 20.

### 3-speed PSC motor in 120V

Unit Size	Speed	Airflow (CFM) vs. External Static Pressure (in W.C)				
		0.1	0.2	0.3	0.4	0.5
08	Low	749	705	658	614	558
	<b>*Med</b>	865	815	760	708	646
	High	904	836	801	740	681
12	Low	1198	1144	1086	1018	962
	<b>*Med</b>	1257	1198	1130	1072	1010
	High	1273	1215	1158	1094	1018
16	Low	1576	1514	1433	1338	1264
	Med	1643	1576	1490	1407	1320
	<b>*High</b>	1707	1606	1545	1441	1364
20	Low	1759	1691	1652	1580	1512
	Med	1838	1788	1729	1644	1555
	<b>*High</b>	1928	1867	1810	1729	1637

### 5-speed ECM motor in 240 V

Unit Size	Tap	Airflow (CFM) vs. External Static Pressure (inches W.C.)				
		0.1	0.2	0.3	0.4	0.5
8	1	502	266	155	156	156
	2	667	668	636	597	562
	<b>*3</b>	1008	980	925	933	915
	4	856	839	819	794	783
	5	790	758	740	734	696
12	1	839	658	320	258	220
	2	915	762	664	617	567
	<b>*3</b>	1315	1264	1227	1187	1151
	4	1105	1060	1009	973	926
	5	1048	990	951	910	852
16	1	957	773	656	599	531
	2	1020	957	916	870	828
	<b>*3</b>	1617	1580	1544	1512	1480
	4	1431	1391	1356	1325	1294
	5	1385	1342	1301	1267	1233
20	1	1113	900	757	678	595
	2	1360	1304	1249	1203	1145
	<b>*3</b>	1924	1857	1799	1738	1692
	4	1557	1498	1427	1381	1321
	5	1778	1689	1604	1543	1478

## INSPECT SHIPMENT

The blower section is completely factory assembled, and all components are performance tested. Each unit consists of a blower assembly and controls, in an insulated galvanized steel factory finished enclosure. Knockouts are provided for electrical wiring entrance.

1. Check the unit rating plate to confirm specifications are as ordered.
2. Upon receipt of equipment, thoroughly inspect it for possible shipping damage. Closely examine the unit inside the carton if the carton is damaged.

3. If damage is found, it should be noted on the carrier's freight bill. Damage claims should be filed with carrier immediately. Claims of shortages should be filed with the seller within 5 days.

**NOTE:** If any damages are discovered and reported to the carrier, do not install the unit because your claim may be denied.

## INSTALLATION REQUIREMENTS

These instructions are intended as a general guide only and do not supersede any national or local codes in any way. Compliance with all local, state, or national codes pertaining to this type of equipment should be determined prior to installation. Read this entire instruction manual, as well as the instructions supplied in separate equipment, before starting the installation. All models are designed for indoor installation only.

The installation of the blower section, field wiring, warm air ducts, etc. must conform to the requirements of the National Electrical Code, ANSI/NFPA No. 70 (latest edition) in the United States, and any state laws, and local ordinances (including plumbing or wastewater codes). Local authorities having jurisdiction should be consulted before installation is made. Such applicable regulations or requirements take precedence over the general instructions in this manual.

Install the conditioned air plenum, ducts and air filters (not provided) in accordance with NFPA 90B Standard for the Installation of Warm Air Heating and Air-Conditioning Systems (latest edition). The blower section is provided with flanges for the connection of the plenum and ducts. Air filters must be listed as Class 2 furnace air filters. The blower section is shipped from the factory completely assembled.

Do not remove the cabinet knockouts until it has been determined which knockouts will need to be removed for the installation.



Select the final installation position that best suits the site

## TOOLS AND PARTS

Gather the required tools and parts before starting installation. Read and follow the instructions provided with any tools listed here.

### Tools Needed

¼" nut driver	Tape Measure
Level	Hammer
Screwdriver	Sealant
Adjustable wrench	UL listed wire nuts


 **WARNING** 

**Electrical Shock**

Disconnect power before servicing.

Replace all parts and panels before operating.

Electrically ground air handler.

Connect ground wire to ground terminal marked .


Failure to do so can result in death or electrical shock.

**Explosion Hazard**

Keep flammable materials and vapors, such as gasoline, away from this unit.

Place this unit so that the heating elements are at least 18in (46cm) above the floor for a garage insulation.

Failure to follow these instructions can result in death, explosion or fire.



conditions. Consider required clearances, space, and routing requirements for refrigerant line, condensate disposal, filters, ductwork, wiring, and accessibility for service. Refer to the rating plate on the blower section for specific information.

### Parts Needed

Check local codes, check existing electrical supply, and read "Ductwork Requirements," and "Electrical Requirements," before purchasing parts.

## LOCATION REQUIREMENTS

**NOTE:** When the unit is installed in a very humid space and used in cooling applications, excessive sweating may occur on outside of unit. To prevent excessive sweating wrap unit with 1" fiberglass insulation. All openings should be sealed to prevent air leakage that could cause condensate to form inside the cabinet.

- If installed in an unconditioned space, sealant should be applied around the electrical wires, refrigerant tubing, and condensate lines where they enter the cabinet.
- Electrical wires should be sealed on the inside where they exit the conduit opening. Sealant is required to prevent air leakage and from condensate from forming inside the blower, control box, and on the electrical controls.

- The blower and its complementing coil must be installed in such a way as to allow free access to the blower/control compartment.
- The blower and its complementing coil must be installed with a 3/4" drop in the horizontal position towards the drain pan to ensure proper condensate drainage. The blower and coil should also be tilted 1/2" from back to front toward the drain line.

### IMPORTANT

The Clean Air Act of 1990 bans the intentional venting of refrigerant (CFC's and HFC's) as of July 1, 1992. Approved methods of reclaiming must be followed. Fines and/or incarceration may be levied for non-compliance.

## INSTALLATION CLEARANCES

### Non-Ducted Return Closet Installation

Clearances to combustible material to be 0 inches to unit casing, and 0 inches to plenum and duct for first 36 inches.

The blower and coil can be installed in a closet with a false bottom to form a return air plenum or be installed with a return air plenum under the coil section.

Louvers or return air grilles are field supplied. Local codes may limit application of systems without a ducted return to single-story buildings.

- For a unit installed in a closet with a louvered return opening, the minimum open area for the louvers will be
  - 320 square inches for 08 models
  - 360 square inches for 12 models
  - 450 square inches for 16 and 20 models

- If the free area is not known, assume a 25% free area for wood or a 75% free area for metal louvers or grilles. Using the louver dimensions and the 25% or 75% assumption, determine if the louver open area meets the minimum open area listed above.
- If the return air plenum is used, the return air grille should be immediately in front of the opening in the plenum to allow for the free flow of return air.
- When not installed in front of the opening, there must be adequate clearance around the MX Series Air Handler to allow for the free flow of return air.

## INSTALLATION CONFIGURATIONS

For ease in installation, it is best to make any necessary coil configuration changes before connecting the MX Series Air Handler to the coil.

For installations of the MX Series Air Handler with hot water heating in the downflow configuration ensure that there is sufficient space between the plenum and the Air Handler to make the hot water piping connections.

### Vertical Installations

#### Upflow

The blower should be set on top of the coil section being used and the blower must be supported on the bottom only and set on solid floor or a field supplied supporting frame.

#### Downflow

Turn the Air Handler upside down and place the evaporator coil on top of the blower. Install the two supporting brackets (support brackets are included with all MX Series Air Handlers) between the Air Handler and Evaporator Coil to ensure a proper fit between the two pieces of equipment. The blower must be supported on the bottom only and set on a solid floor or a field supplied supporting frame.

#### Side Return (Hot water applications only)

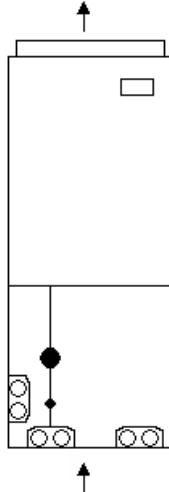
Cut and remove panel on the non-motor side, as indicated by perforations. Attach evaporator coil with sheet metal screws (if using). Ensure bottom portion of unit is sealed properly to prevent air leakage. This can be used in an upflow or downflow position.

**SIDE RETURN IS NOT APPROVED FOR USE WITH ELECTRIC HEAT.**

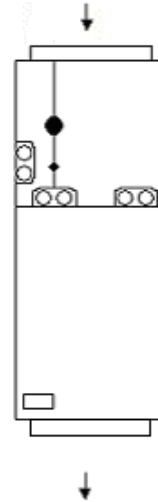
# INSTALLATION CONFIGURATIONS CONT.

## Vertical Installations cont.

### Upflow Configuration with MX Series Air Handler on top of an evaporator coil.



### Downflow Configuration with MX Series Air Handler underneath an evaporator coil.



Make certain to turn Air Handler Upside Down as shown in the above figure.

## Horizontal Installations

Horizontal installations can be left-hand or right-hand air supplied. Adequate support must be provided to ensure cabinet integrity. Ensure that there is adequate room to remove service and access panels if installing in the horizontal position. Refer to instructions provided with coil for proper horizontal installations.

### IMPORTANT:

- Refer to the instructions provided with the coil being used to determine how the secondary drain should be trapped and piped.
- When an evaporator coil is installed in an attic or above a finished ceiling, an auxiliary drain pan should be provided under the MX Series Air Handler and coil as specified by most local building codes.

### Conversion from Vertical to Horizontal

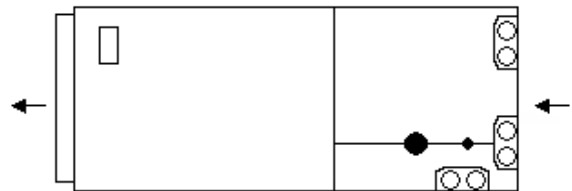
The MX Series Air Handler can be converted from operating in a vertical to a horizontal position by installing supporting brackets (included with all MX Series Air Handlers) between the two pieces of equipment. A horizontal condensate drain pan (not included with the MX Series Air Handler) would also be needed.

### Suspended Cabinet Installation

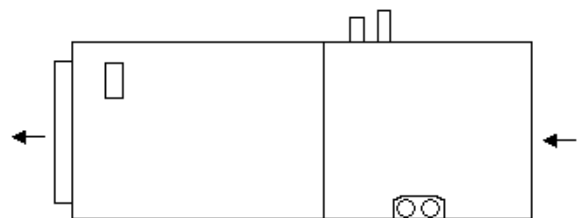
**NOTE:** Air handler must be positioned with one side parallel to the floor when in the horizontal position.

The suspending means must be field fabricated, and should consist of a minimum of two "cradles" made by attaching two 3/8" all thread rods to a length 1-5/8" x 7/8" unistrut. Cradles should not interfere with panel removal, drain connections, or refrigerant connections.

### Horizontal Configuration of Blower with a multi-position coil.






### Horizontal Configuration of Blower with an ADP Dedicated Horizontal "A" Coil.





## ELECTRICAL REQUIREMENTS

WARNING	
<b>Electrical Shock</b>	
Disconnect power before servicing.	
Replace all parts and panels before operating.	
Electrically ground air handler.	
Connect ground wire to ground terminal marked  .	
Failure to do so can result in death or electrical shock.	
<b>Explosion Hazard</b>	
Keep flammable materials and vapors, such as gasoline, away from this unit.	
Place this unit so that the heating elements are at least 18in (46cm) above the floor for a garage insulation.	
Failure to follow these instructions can result in death, explosion or fire.	

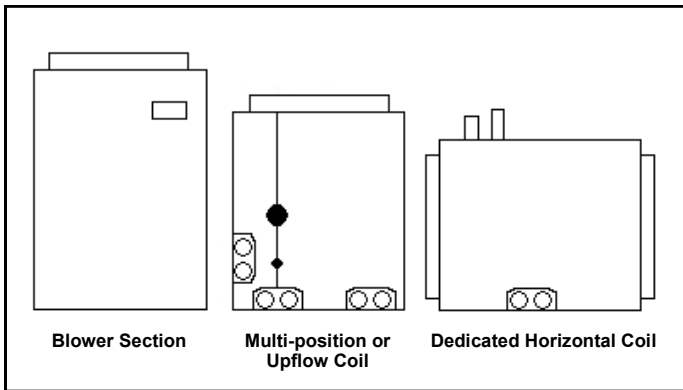
**NOTE:** Use copper conductors only.

- All field wiring must be done in accordance with National Electrical Code, applicable requirements of UL and local codes, where applicable.
- Electrical wiring, disconnect means and over-current protection are to be supplied by the installer. Refer to the MX Series Air Handler rating plate for maximum over-current protection, minimum circuit ampacity, as well as operating voltage.
- The power supply must be sized and protected according to the specifications supplied on the product.
- This MX Series Air Handler is factory-configured for either 240 Volts or 120 Volts, single phase, 60 cycles. For 208-volt applications, see “208 Volt Conversion” in the “Make Electrical Connections” section.
- Refer to the instructions provided with the accessory for proper installation.

## DUCTWORK REQUIREMENTS

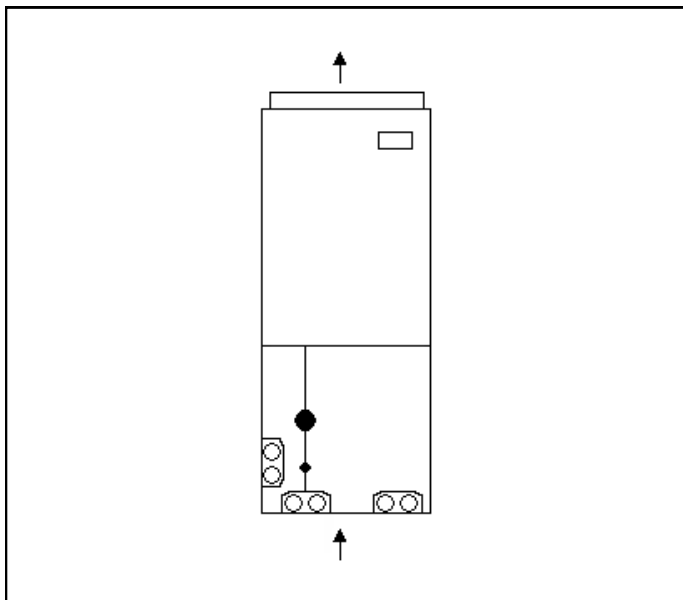
- Install the conditioned air plenum, ducts and air filters (not provided) in accordance with NFPA 90B Standard for the installation of Warm Air Heating and Air-Conditioning Systems (latest edition).
- The MX Series Air Handler is provided with flanges for the connection of the plenum and ducts.
- Air filters must be listed as Class 2 furnace air filters.
- Supply and return ductwork must be adequately sized to meet the system’s air requirements and static pressure capabilities. Ductwork should be insulated with a minimum of 1” thick insulation with a vapor barrier in conditioned areas or 2” minimum in unconditioned areas.
- Supply plenum should be the same size as the flanged opening provided around the blower outlet and should extend ideally at least 3 ft. from the MX Series Air Handler before turning or branching off plenum into duct runs. The plenum forms an extension of the blower housing and minimizes air expansion losses from the blower.

# BLOWER AND COIL ASSEMBLY



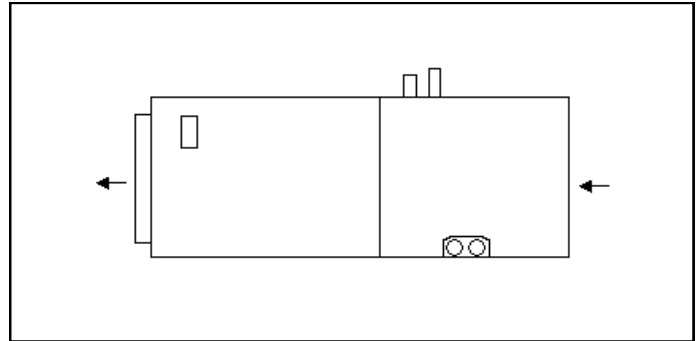
**Note:** Read and follow coil installation instructions to ensure proper installation of refrigerant lines and drain connections.

## Upflow Configuration

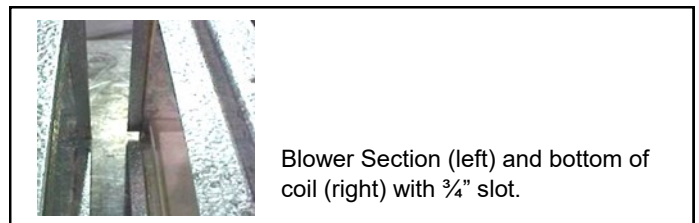
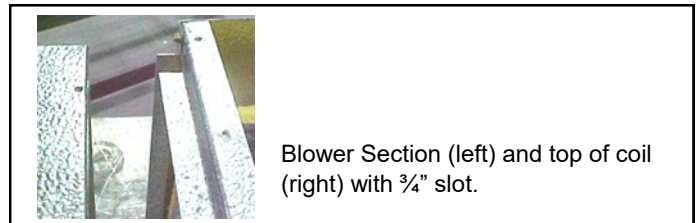


1. Ensure the blower section matches the coil being used.
2. The bottom of the blower section contains a 1/2" gasket. Check to make sure gasket is attached to the bottom of the blower section.
3. Position the blower section over the coil opening or under the coil depending on your desired configuration.
4. The MX is designed to fit perfectly with the ADP "C" depth (20.5") coil. If "E" depth is used, modify the duct flange as follows: with the front of the MX and coil aligned, snip the rear coil flange on each side so that the MX will sit level on the coil (similar to the pictures shown in the section "Horizontal Configuration With Dedicated Horizontal A (HD) Coil.")
5. To secure the MX Series Air Handler fasten the duct flanges of coil with screws to the duct flanges of the blower section.

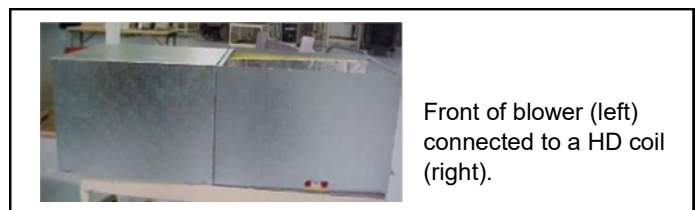
## Horizontal Configuration With Dedicated Horizontal "A" Coil



1. Ensure the proper blower section matches the coil.
2. The bottom of the blower section contains a 1/2" gasket. Check to make sure gasket is attached to the bottom of the blower section.
3. Cut a 3/4" slot on the top and bottom flange of the coil. Bend flange on the coil down 90 degrees or you can cut off the flange.



4. Position the blower section up against the coil opening.



5. Fasten duct flanges of coil to duct flanges of blower section with screws to secure MX Series Air Handler.


# INSTALL DUCTWORK

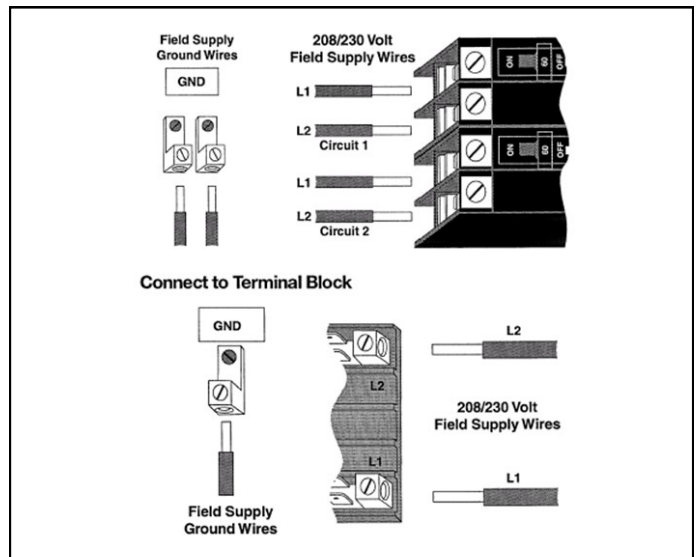
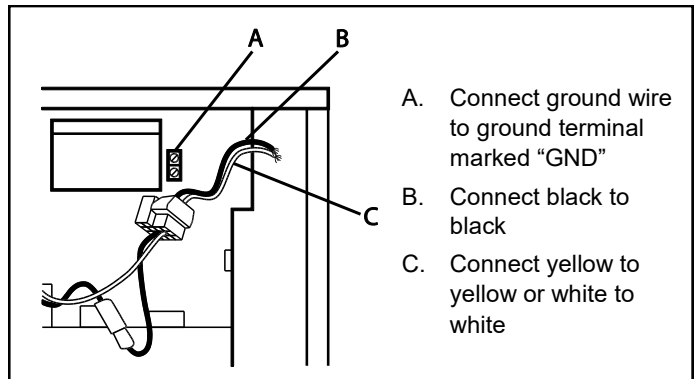
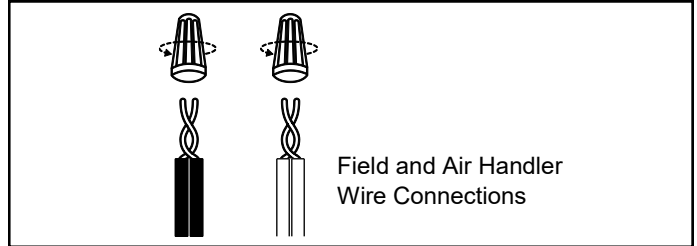
## IMPORTANT:

- Install ductwork in accordance with NFPA 90B and any local codes.
- Connect supply air duct to the flange on top of the blower section of the MX Series Air Handler. If an isolation connector is used, it must be nonflammable.
- Duct connections for the MX Series Air Handler with hot water heat must allow room for water piping connections to be made in upflow and downflow configurations.
- A return air duct system is recommended. If the unit is installed in a confined space or closet, a return connection must be run, full size, to a location outside the closet.

# MAKE ELECTRICAL CONNECTIONS

## 240-Volt or 120 Volt Installations

1. Disconnect all power supplies.
2. Remove the MX Series Air Handler access panel.
3. Route the field supply wires to the MX Series Air Handler electrical connection box.
4. Using UL listed wire nuts; for 240 Volts connect the field supply wires to the MX Series Air Handler (black to black and yellow to yellow). For 120 Volts connect the field supply wires to the MX Series Air Handler (black to black and white to white).
5. Connect ground wire to ground terminal marked "GND" or .
6. Replace the MX Series Air Handler access panel.



# MAKE ELECTRICAL CONNECTIONS CONT.





## 208-Volt Conversion

1. Disconnect all power supplies.
2. Remove the MX Series Air Handler access panel.
3. Move the 2 connected black transformer leads from the 240-volt terminal on the transformer to the 208-volt terminal on the transformer. See "Wiring Diagram – Electric Heat."
4. Install conduit-opening plugs in any unused openings.
5. If circuit breakers or pull disconnects are used, the front panel knockouts will need to be removed.
6. Reinstall the MX Series Air Handler access panel.
7. Reconnect power.
8. Dispose of/recycle all remaining parts.

## Changing Circuit Breaker Orientation

For Air Handlers with Circuit Breaker Line Voltage Connections:

If the MX Series Air Handler is positioned in a horizontal left-hand discharge this position will require no change in the circuit breaker installation orientation. However, if the Air Handler is installed in a horizontal right-hand discharge position, the breaker will need to be installed so that the UP position of the breaker is the ON position. The circuit breaker orientation change is required by UL 1995, Article 26.18 (25 Sep 2005).

 <b>WARNING</b> 	
<p style="text-align: center;"><b>Electrical Shock</b></p> <p>Disconnect power before servicing.</p> <p>Replace all parts and panels before operating.</p> <p>Electrically ground air handler.</p> <p>Connect ground wire to ground terminal marked .</p> <p>Failure to do so can result in death or electrical shock.</p>	<p style="text-align: center;"><b>Explosion Hazard</b></p> <p>Keep flammable materials and vapors, such as gasoline, away from this unit.</p> <p>Place this unit so that the heating elements are at least 18in (46cm) above the floor for a garage insulation.</p> <p>Failure to follow these instructions can result in death, explosion or fire.</p> 

## HOT WATER COIL FLUSHING

Flushing the hot water coil prior to start up is required to remove any residual material from the installation or manufacturing processes as well as remove any air from the system.

A bleed valve comes standard on all air handlers with factory installed circulating pumps. If using an external circulating pump, please use an external purge valve or other mechanism to flush hot water coil after installation. Take precautions while flushing the air handler to keep the multi-function control board and other electrical components from getting wet. Hot water is preferred for flushing.

Flushing is a 3-step process. Use a bucket or hose to dispose of water from the bleed valve during flushing (refer to Figure 9).

First, flush the return line by closing the inlet valve (supply) and opening the outlet valve (return). Open the bleed valve. Close the bleed valve when flushing is complete.

Second, flush the supply line and coil by closing the outlet valve (return) and opening the inlet valve (supply). Open the bleed valve. Close the bleed valve when flushing complete.

Third, apply power to the air handler. Open inlet and outlet valves. Engage pump and open bleed valve.

Verify proper flow direction—inlet should become warm before outlet. Close the bleed valve when flushing is complete.

Operate pump for 5 minutes immediately after flushing system to purge remaining air from the pump bearing chamber.

<b>CAUTION</b>
Follow piping manufacturer's requirements for any additional required flushing or cleaning of coil and piping if using non-copper piping.

<b>CAUTION</b>
Do not engage pump until the flushing process is completed. Running pump dry will cause damage.

# HOT WATER COIL INSTALLATION

## NOTICE

If connecting to tankless water heater, the circulating pump may need to be changed to get proper flow. Refer to water heater instructions for details.

## NOTICE

Use copper pipe and fittings. Other compatible piping and fitting materials may be used only if approved by local code authority and only if installed following the manufacturer's application and installation instructions.



## WARNING



Solder joints on domestic water lines are to be made with NO-LEAD SOLDER.

## NOTICE

The factory installed freeze protection on all air handlers with hot water coils is designed to protect the coil from freezing. Installer must protect water piping from freezing when in unconditioned spaces such as attics, crawl spaces, or within structures that may be unoccupied during freezing conditions. Insulating piping or using a water-glycol solution may help prevent pipe freezing.

ADP MX Series Air Handlers with hot water heating coils can be used with potable water systems (**Not Approved for potable water systems in the State of MA**) and are shipped with or without circulating pumps. Circulating pump kits are also available for field installation. Refer to pipe and pump sizing in the Air Handler's Engineering & Specification Guide for units with external pumps.

### To determine water heater gallon capacity

A minimum 40 gallon high recovery and/or high efficiency gas or oil fired water heater is recommended. The following volume -sizing guide is satisfactory in most areas. Proper water heating sizing should consider both the gallon capacity and the BTU input of the water heater.

## 1. Determine Volume

<u>CFM</u>	<u>Water Heater Requirements</u>
600 – 800	40 gallons
1000 – 2000	40 gallons
1400 – 1600	Either 2 -40 gallons piped together, 1 high input 50 gallon (63,000 to 75,000 Btu/hr input), or 1 -72 (or higher) gallon tank.
2000	Any combination of water heaters piped together with a total output of 105,000 Btu/hr.

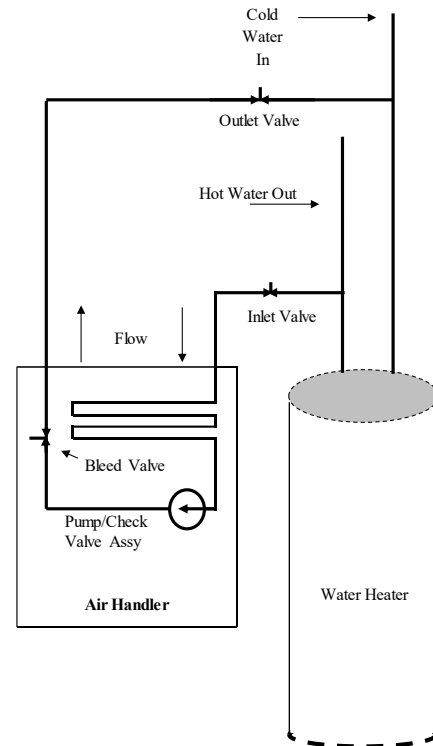
## 2. Determine water heater BTU/HR input requirements.

Assume water heater recovery efficiency of 76%

BTU/HR input=

Mild climates: structure heat loss X 1.51

Cold climates: structure heat loss X 1.58



Typical Installation with Domestic Hot Water Heater, many variations on external valves are possible.

# COMPLETE INSTALLATION

**NOTE:** Refer to outdoor unit installation instructions for system start-up instructions and refrigerant charging instructions.

## PRE-Start Check

- Is unit properly located, secure, and serviceable? Does the MX Series Air Handler and Evaporator Coil exhibit a 3/4" pitch in the horizontal position towards the drain pan to ensure proper condensate drainage?
- Has an auxiliary pan been provided under the unit with separate drain for units installed above a finished ceiling or in any installation where condensate overflows could cause damage?
- Have all webs been removed from the drain connections that are being used? Have all drain pan plugs not used been properly plugged?
- Has the condensate line been properly sized, run, trapped, pitched, and tested?
- Is the ductwork correctly sized, run, taped, and insulated?
- Have all cabinet openings and wiring been sealed?
- Is the indoor coil orifice size correct?
- Have all unused orifice replacement parts and packaging been disposed of or recycled?
- Is the filter clean, in place, and of adequate size?
- Is the wiring neat, correct, and in accordance with the wiring diagram?
- Is the unit properly grounded and protected (fused)?
- Is the thermostat correctly wired and in a good location?
- Are all access panels in place and secure?

## Check Blower Operation

1. Set the thermostat to FAN ON.
2. The indoor blower should come on.

## Check Electric Heater (if used)

1. Set thermostat to call for auxiliary heat (approximately 5°F above ambient temperature). The indoor blower and auxiliary heat should come on together. Allow a minimum of 3 minutes for all sequencers to cycle on.
2. Set the thermostat so it does not call for heat. Allow up to 5 minutes for all sequencers to cycle off.

## Check / Change Airflow

- For proper cooling operation, the airflow through the indoor coil should be between 350 and 450 CFM per ton of cooling capacity (or 350 – 450 CFM per 12,000 BTU/HR) based on the rating of the outdoor unit.
- The cooling blower speed is factory configured to provide correct airflow for an outdoor unit that matches the maximum cooling capacity rating of the MX Series Air Handler.
- If the outdoor unit is smaller than the maximum cooling capacity rating for the MX Series Air Handler, the cooling blower speed may need to be changed. Refer to Blower Performance Chart.

**IMPORTANT:** The cooling blower speed must be set to provide a minimum of 350 CFM airflow per ton (12,000 BTU/HR) of outdoor cooling capacity.

**MAXIMUM KW FOR UNITS WITH NOMINAL CFM SET AT 1400 (3.5 TONS) IS 15 KW.**

**NOTE:** If nominal CFM is set at 1000 (2.5 tons) with 15 kW electric heat, the motor speed must be set at medium or higher.

To change blower speed: Refer to "Wiring Diagram – Electric Heat" or "Wiring Diagram – Hot Water Heat," depending on which application is being used.



## WARNING




### Electrical Shock

Disconnect power before servicing.

Replace all parts and panels before operating.

Electrically ground air handler.

Connect ground wire to ground terminal marked .

Failure to do so can result in death or electrical shock.



### Explosion Hazard

Keep flammable materials and vapors, such as gasoline, away from this unit.

Place this unit so that the heating elements are at least 18in (46cm) above the floor for a garage insulation.

Failure to follow these instructions can result in death, explosion or fire.



## COMPLETE INSTALLATION CONT.

---

### Models 08, 12, & 20 with 120 V Supply Voltage

1. Disconnect all power supplies.
2. Remove the air handler access panel.
3. Locate the blue wire (Med) running from the blower motor to the control board.
4. Remove this blue wire from the control board and cover this loose end of this wire now with an insulating cap.
5. Locate the Red or Black wires connected to the blower motor. Connect the Red (Low) to the control board at its respective terminal for low speed or connect the Black (High) to the control board at its respective terminal for high speed.
6. Replace all panels.
7. Reconnect power.

### Model 16 with 120 V Supply Voltage

1. Disconnect all power supplies.
2. Remove the air handler access panel.
3. Locate the black wire (High) running from the blower motor to the control board.
4. Remove this black wire from the control board and cover this loose end of this wire now with an insulating cap.
5. Locate the Blue or Red wires connected to the blower motor. Connect the Blue (Med) to the control board at its respective terminal for medium speed or connect the Red (Low) to the control board at its respective terminal for low speed.
6. Replace all panels.
7. Reconnect power.

## SEQUENCE OF OPERATIONS

---

### 208/240 V, 60 Hz Supply Voltage Models

#### Cooling

When the thermostat calls for cooling, the circuit between R and G is completed, and the blower relay is energized. The Normally Open contacts close, causing the indoor blower motor to operate. The circuit between R and Y is also completed; this circuit closes the contactor in the outdoor fan motor. Circuit R and O or R and B energizes the reversing valve, switching it to the cooling position (depends on outdoor unit). Air Handler blower turns off 45 seconds after the thermostat stops calling for cooling.

#### Heating (electric heat only)

When the thermostat calls for heat, the circuit between R and W is completed, and the heater sequencer is energized. A time delay follows before the heating elements and the indoor blower motor comes on. Units with a second heat sequencer can be connected with the first sequencer to W on the thermostat sub base or connected to a second stage on the sub base. Air Handler blower turns off 30 seconds after the thermostat stops calling for heating.

#### Heating (heat pump with electric heat)

When the thermostat calls for heat, the circuits between R and Y and R and G are completed. Circuit R-Y energizes the contactor starting the outdoor fan motor and the compressor. Cir-

cuit R and G energizes the blower relay starting the indoor blower motor. Circuit R and O or R and B energizes the reversing valve, switching it to the heating position (depends on outdoor unit). If the room temperature should continue to fall, the circuit between R and W1 is completed by the second stage heat room thermostat. Circuit R-W1 energizes a heat sequencer. The completed circuit will energize supplemental electric heat (if applicable). Units with a second heater sequencer can be connected with the first sequencer to W1 on the thermostat or connected to a second heating stage W2 on the thermostat sub base. Air Handler blower turns off 30 seconds after the thermostat stops calling for heating.

#### Emergency Heat (heat pump with electric heat)

If selector switch on thermostat is set to the emergency heat position, the heat pump will be locked out of the heating circuit, and all heating will be electric heat (if applicable). A jumper should be placed between W2 and E on the thermostat sub-base so that the electric heat control will transfer to the first stage heat on the thermostat. This will allow the indoor blower to cycle on and off with the electric heat when the fan switch is in the AUTO position.





**Instructions for non-ADP Field Installed Aquastats - Hot Water Heat**

For all non-ADP external aquastats used in conjunction with this air handler, please follow the installation instructions provided by the aquastat manufacturer.

**Freeze Protection** (hot water heat)

If the temperature of the water within the hot water coil were to drop below 40°F the circuit between R and W is completed, activating the hot water circulating pump, external circulating pump or isolation valve. Once the water temperature rises above 70°F the circuit between R and W is opened and hot water will stop circulating within the hot water coil.

To prevent the freeze protection from activating the water circulating pump when in cooling mode, move freeze stat to far left or far right of water coil, and insulate with foam tape insulation.

**Pump Timer** (hot water heat)

The State of Massachusetts requires the use of a pump timer on domestic water applications to periodically circulate water during the off cycle. This pump timer requirement is a standard factory installed feature on all MX Series Air Handlers with hot water heat. The Pump timer activates the circulating pump or isolation valve for one minute every six hours by completing the circuit between R and W. The Pump timer is skipped while the outdoor compressor is operating.

## **MX SERIES AIR HANDLER MAINTENANCE**

---

At the beginning of each heating season the unit should be serviced by a qualified installer or servicing agency.

## **ASSISTANCE OR SERVICE**

---

If you need further assistance, you may contact us at the address below with any questions or concerns. Please include a day-time phone number in your correspondence.

**Advanced Distributor Products  
1995 Air Industrial Park Road  
Grenada, MS 38901**

# ADP AIR HANDLER LIMITED WARRANTY

## Term of Warranty

Advanced Distributor Products (ADP) warrants that products sold shall be of merchantable quality, free of defects in material and workmanship, under normal use and service, for a period of five (5) years from the date of installation, **not** to exceed six (6) years from the date of manufacture subject to the terms of ADP's limited warranty.

For information on this product's warranty, including accessing complete warranty terms, registering for an extended warranty\* or instructions on filing a warranty claim, please go to [www.ADPwarranty.com](http://www.ADPwarranty.com).

*\* In such states or provinces where registration requirements are prohibited, failure to complete registration by the consumer does not diminish his or her warranty rights.*

## Equipment Information

Please *complete information below and retain this warranty for records and future reference.*

Unit Model Number: \_\_\_\_\_

Serial Number: \_\_\_\_\_

Installing Contractor: \_\_\_\_\_

Installation Date: \_\_\_\_\_

Phone: \_\_\_\_\_





---

2140 Lake Park Blvd, Richardson, TX 75080  
[www.adpnow.com](http://www.adpnow.com)



## Instructions d'installation

# Série MX

## Ventilateurs modulaires intérieurs—ModuleFlex®

Chauffage à eau chaude ou électrique

TABLE DES MATIÈRES	PAGE	PAGE	
Sécurité du ventilo-convecteur .....	1	Exigences en matière de conduits .....	9
Schéma de câblage .....	2	Ensemble ventilateur et serpentín .....	10
Connexions du thermostat .....	4	Installation des gaines .....	11
Rendement du ventilateur .....	5	Effectuer les connexions électriques .....	11
Inspecter l'expédition .....	6	Rinçage du serpentín d'eau chaude .....	12
Exigences d'installation .....	6	Installation du serpentín d'eau chaude .....	13
Outils et pièces .....	6	Installation complète .....	14
Exigences relatives à l'emplacement .....	7	Séquence de fonctionnement .....	15
Dégagements d'installation .....	7	Entretien du ventilo-convecteur de la série .....	18
Configurations d'installation .....	7	Assistance ou service .....	18
Exigences électriques .....	9	Garantie .....	19



### AVERTISSEMENT



Pour installer le ventilo-convecteur de la série MX en position horizontale, un dégagement de (2 po) doit être respecté entre le sommet du serpentín d'évaporateur et le haut de l'enceinte du serpentín. Par conséquent, les serpentíns d'évaporateur multi-positions ADP indiqués ci-dessous ne peuvent pas être utilisés en position horizontale avec le ventilo-convecteur de la série MX. Les serpentíns horizontaux dédiés des séries HD et V sont recommandés pour ces applications.

Numéros de dalle : A07, A15, E27, E37, E48, E50, E55, E57, E87 et E88.

Numéros de dalle E25 et E35 dans une enceinte de 21,5 po h.

Numéro de dalle E54 dans une enceinte de 29,5 po h.

## SÉCURITÉ DU VENTILO-CONVECTEUR

### Votre sécurité et celle des autres sont très importantes.

Nous avons fourni de nombreux messages de sécurité importants dans ce manuel et sur votre appareil. Toujours lire et respecter tous les messages de sécurité.



Il s'agit du symbole d'alerte de sécurité.

Ce symbole vous avertit des dangers potentiels qui peuvent vous tuer ou vous blesser, ainsi que d'autres personnes.

Tous les messages de sécurité suivent le symbole d'alerte de sécurité et le mot « DANGER » ou « AVERTISSEMENT ». Ces mots signifient :

**DANGER** : Vous pouvez **être tué ou gravement blessé** si vous ne suivez pas immédiatement les instructions.

**AVERTISSEMENT** : Vous pouvez être tué ou gravement blessé si vous ne suivez pas immédiatement les instructions.

Tous les messages de sécurité vous indiqueront le danger potentiel, vous indiqueront comment réduire le risque de blessure et vous indiqueront ce qui peut se passer si les instructions ne sont pas respectées.



L'amélioration des produits est un processus continu chez Advanced Distributor Products. Par conséquent, les spécifications du produit peuvent être modifiées sans préavis et sans obligation de notre part. Veuillez contacter votre représentant ou distributeur ADP pour vérifier les détails.

© par Advanced Distributor Products. Tous droits réservés.

# ATTENTION

Cet appareil n'est pas conçu pour être utilisé par des personnes (y compris des enfants) ayant des capacités physiques, sensorielles ou mentales réduites, ou un manque d'expérience et de connaissances, sauf si elles ont été surveillées ou que des instructions ont été données concernant l'utilisation de l'appareil par une personne responsable de leur sécurité. Les enfants doivent être surveillés pour s'assurer qu'ils ne jouent pas avec l'appareil.

# AVIS

Cette unité est un CLIMATISEUR À UNITÉ PARTIELLE, conforme aux exigences de la présente norme en matière d'UNITÉ PARTIELLE, et ne doit être connectée qu'à d'autres unités qui ont été confirmées comme étant conformes aux exigences correspondantes de la présente norme, UL 60335-2-40/CSA C22.2 n° 60335-2-40, ou UL 1995/CSA C22.2 n° 236.

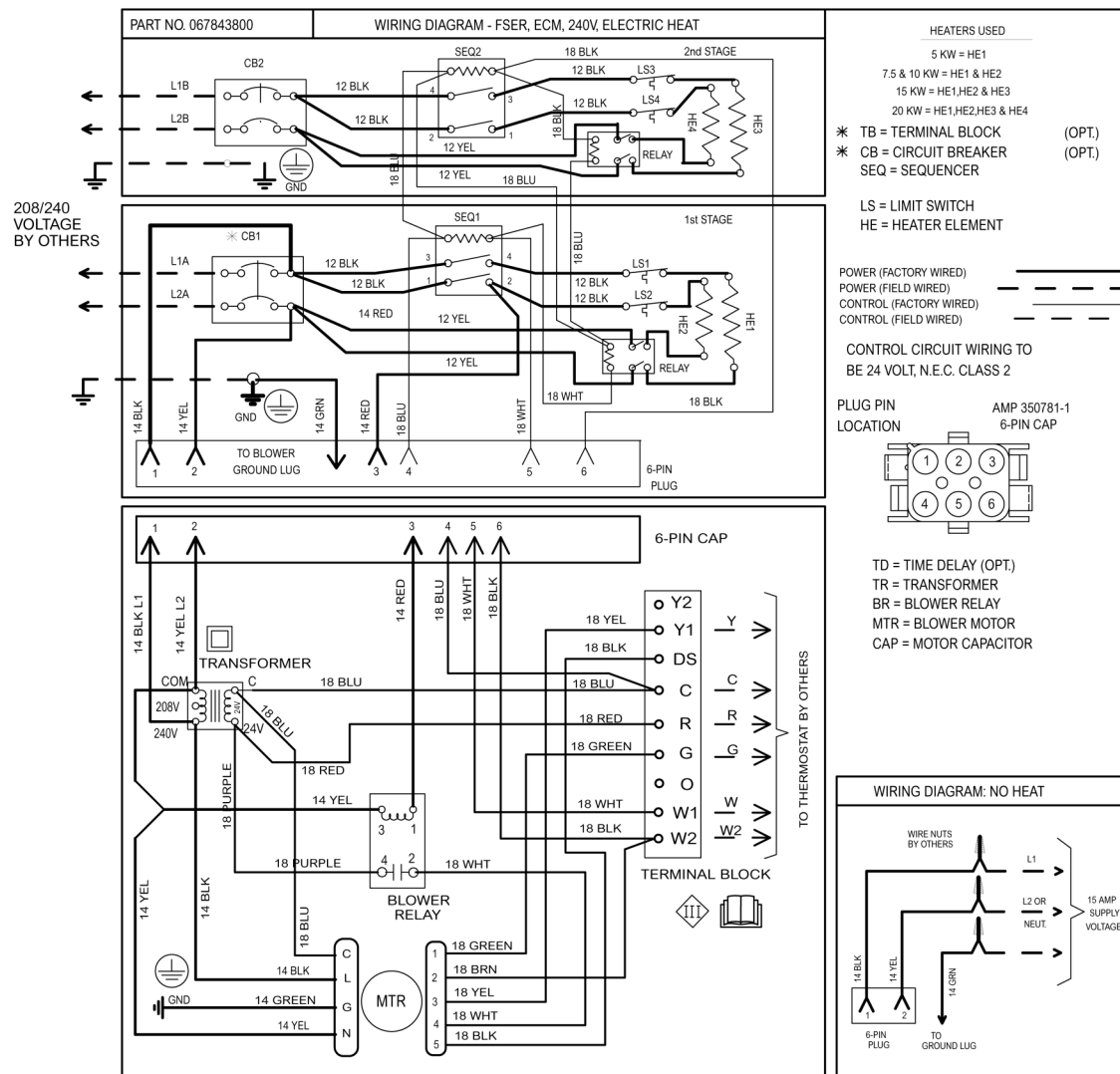
## IMPORTANT

Une installation, un réglage, une modification, un entretien ou un entretien incorrects peuvent causer des dommages matériels, des blessures ou la mort. L'installation et l'entretien doivent être assurés par un installateur de CVAC professionnel certifié ou l'équivalent, une société de service ou le fournisseur du gaz.

## AVIS

L'altitude maximale de l'application est de 3 200 m au-dessus du niveau de la mer.

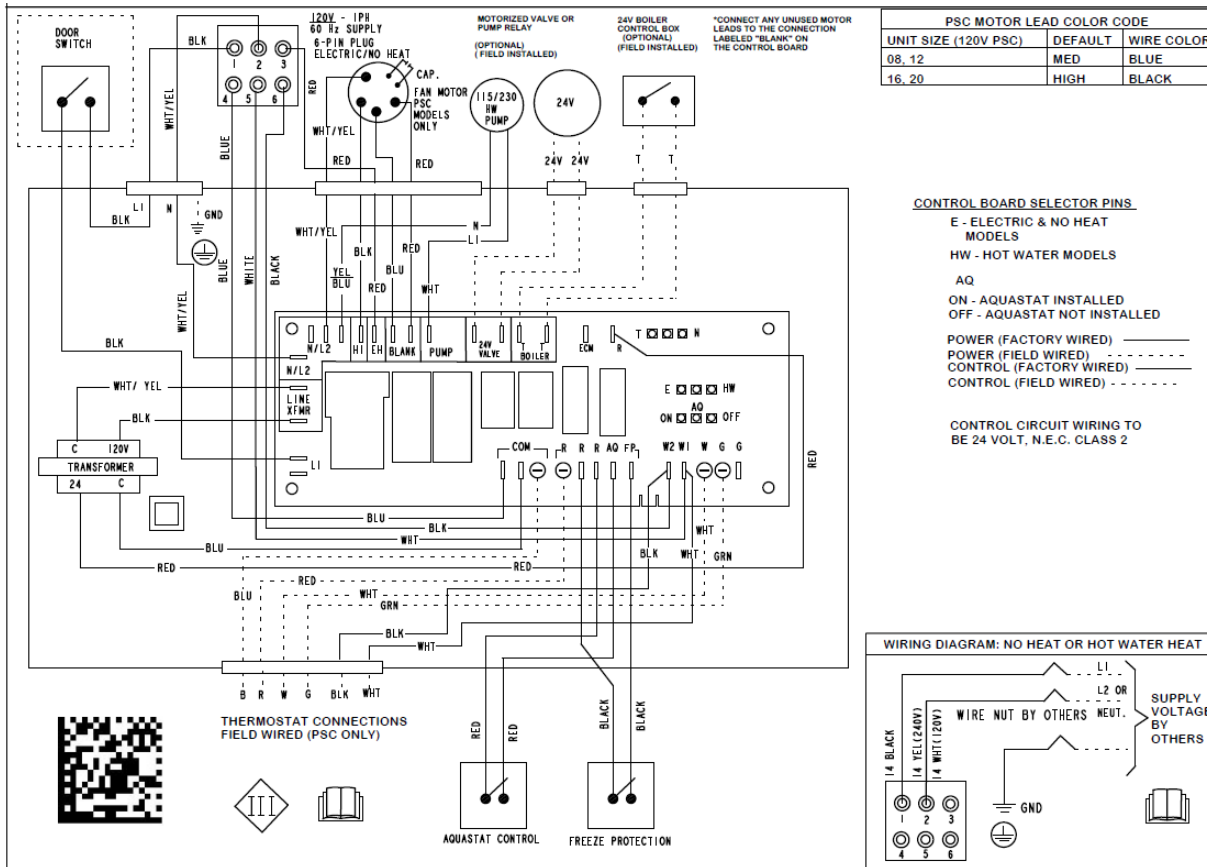
## SCHÉMA DE CÂBLAGE



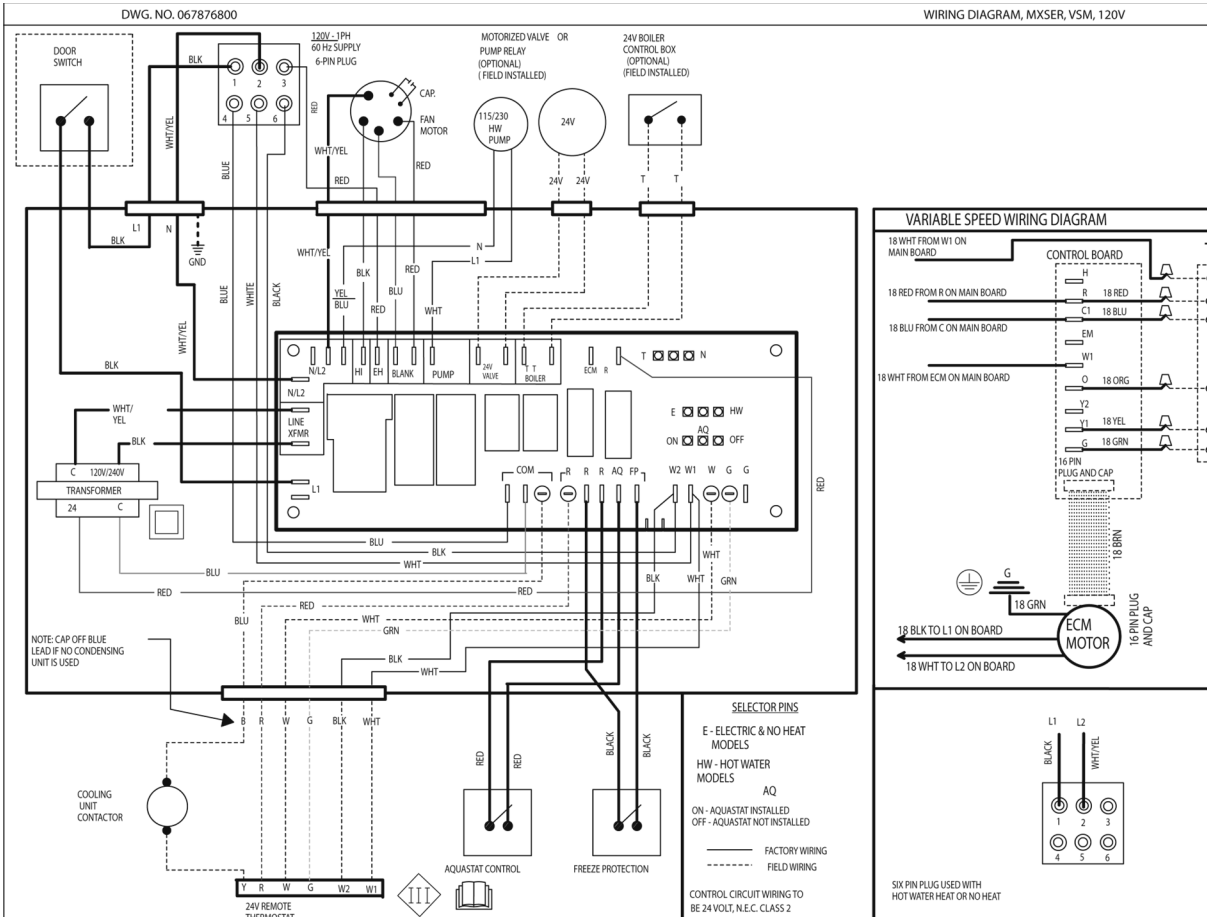
**REMARQUE :** La fiche 6-Pin sert de connexion pour les ensembles de chauffage électrique au panneau de commande.

Si l'unité est équipée d'un panneau de commande multifonction, pour les installations de chauffage électrique, s'assurer que la broche du sélecteur de chaleur est réglée sur « E ».

PIÈCE NO. 67844700 | SCHÉMA DE CÂBLAGE - MX, PSC, 120 V, HW



PIÈCE NO. 67876800 | SCHÉMA DE CÂBLAGE - MX, VSM, 120 V, HW



# CONNEXIONS DU THERMOSTAT

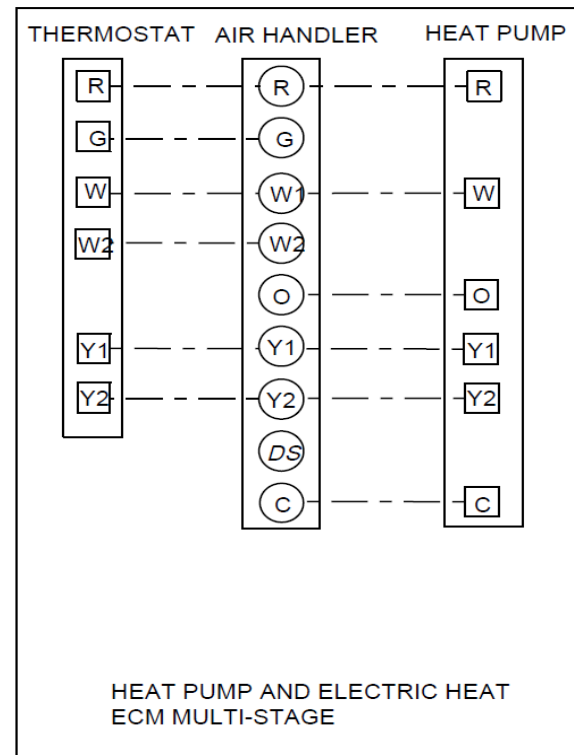
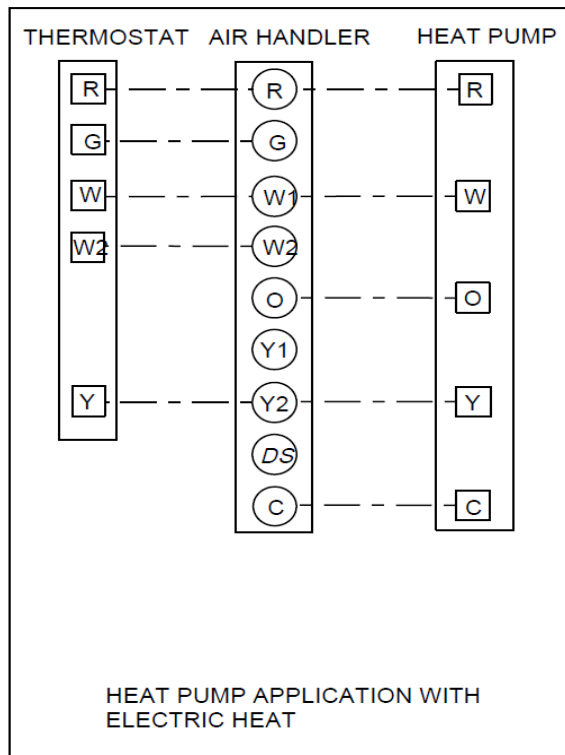
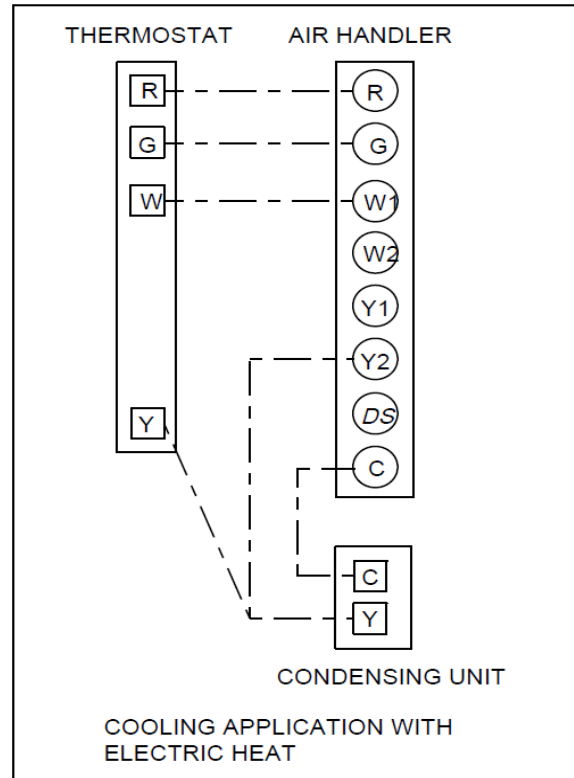
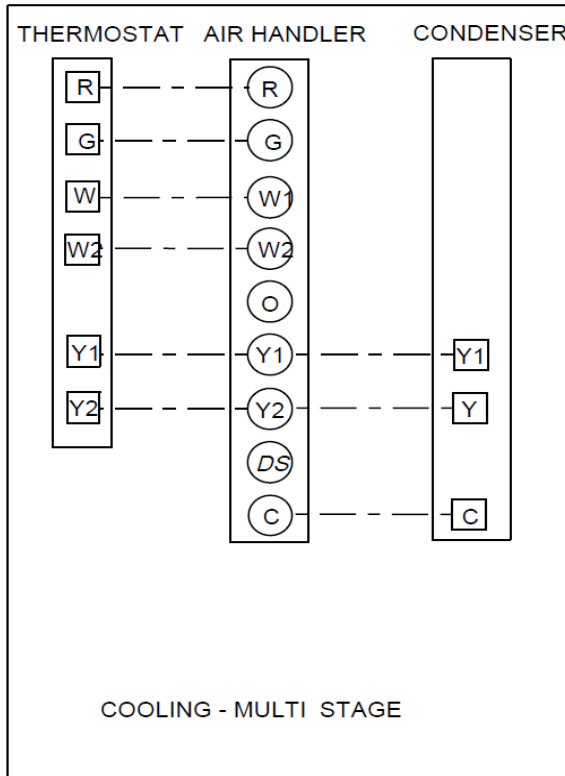
## Moteur 5-Speed (chauffage électrique)

Le courant maximum autorisé des thermostats ou autres accessoires est de 18 mA. Un dépassement de cette valeur peut entraîner un fonctionnement anormal du panneau de commande du ventilo-convecteur.

Pour les unités extérieures à 2 stages :

Identifier le taraud/CFM désiré pour la 1ère étape à partir du diagramme de débit d'air et déplacer le fil du moteur sur le bornier jusqu'à Y1.

Identifier le taraud/CFM désiré pour la 2e étape à partir du tableau des débits d'air et déplacer le fil du moteur sur le bornier jusqu'à Y2.





## RENDEMENT DU VENTILATEUR

Les vitesses indiquées en **gras avec un astérisque\*** sont les réglages de vitesse usine pour la climatisation.

Toutes les données sont données quand le ventilo-convecteur fonctionne avec un serpentin sec et un filtre à air installés. Il s'agit de valeurs nominales et le rendement du ventilateur peut varier plus ou moins par rapport à ces valeurs en fonction du serpentin d'évaporateur utilisé.

Les données de rendement du débit d'air de chauffage à l'eau chaude comprennent la chute de pression d'air associée sur un serpentin d'eau chaude à 4 rangées pour les unités de taille 08, 12 et 16; la chute de pression d'air sur un serpentin d'eau chaude à 3 rangées pour les unités de taille 20.

### Moteur PSC 3 vitesses en 120V

Taille de l'unité	Vitesse	Débit d'air (CFM) vs. Pression statique extérieure (pouces d'eau)				
		0,1	0,2	0,3	0,4	0,5
08	Faible	749	705	658	614	558
	<b>*Moy.</b>	865	815	760	708	646
	Maxi	904	836	801	740	681
12	Faible	1198	1144	1086	1018	962
	<b>*Moy.</b>	1257	1198	1130	1072	1010
	Maxi	1273	1215	1158	1094	1018
16	Faible	1576	1514	1433	1338	1264
	Moy.	1643	1576	1490	1407	1320
	<b>*Maxi</b>	1707	1606	1545	1441	1364
20	Faible	1759	1691	1652	1580	1512
	Moy.	1838	1788	1729	1644	1555
	<b>*Maxi</b>	1928	1867	1810	1729	1637

### Moteur ECM 5 vitesses en 240 V

Débit d'air (CFM) vs. Pression statique extérieure (pouces d'eau)

Taille de l'unité	Appuyez sur	0,1	0,2	0,3	0,4	0,5
8	1	502	266	155	156	156
	2	667	668	636	597	562
	<b>*3</b>	1008	980	925	933	915
	4	856	839	819	794	783
	5	790	758	740	734	696
12	1	839	658	320	258	220
	2	915	762	664	617	567
	<b>*3</b>	1315	1264	1227	1187	1151
	4	1105	1060	1009	973	926
	5	1048	990	951	910	852
16	1	957	773	656	599	531
	2	1020	957	916	870	828
	<b>*3</b>	1617	1580	1544	1512	1480
	4	1431	1391	1356	1325	1294
	5	1385	1342	1301	1267	1233
20	1	1113	900	757	678	595
	2	1360	1304	1249	1203	1145
	<b>*3</b>	1924	1857	1799	1738	1692
	4	1557	1498	1427	1381	1321
	5	1778	1689	1604	1543	1478

# CONNEXIONS DU THERMOSTAT

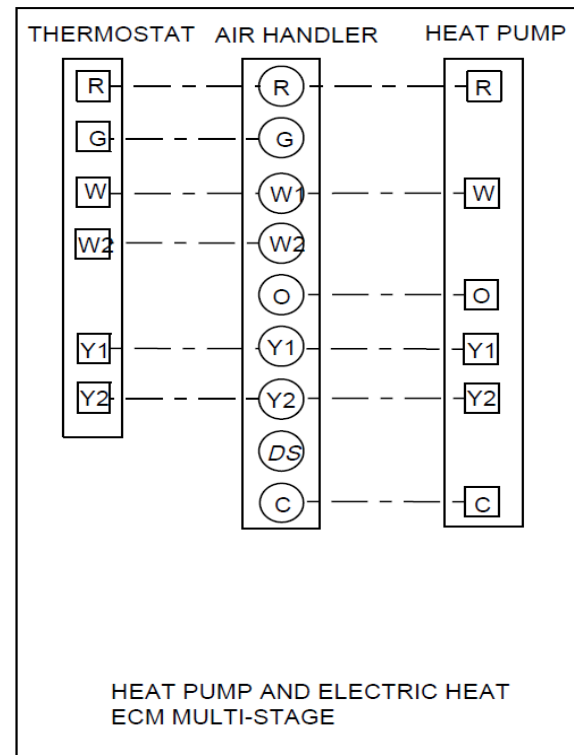
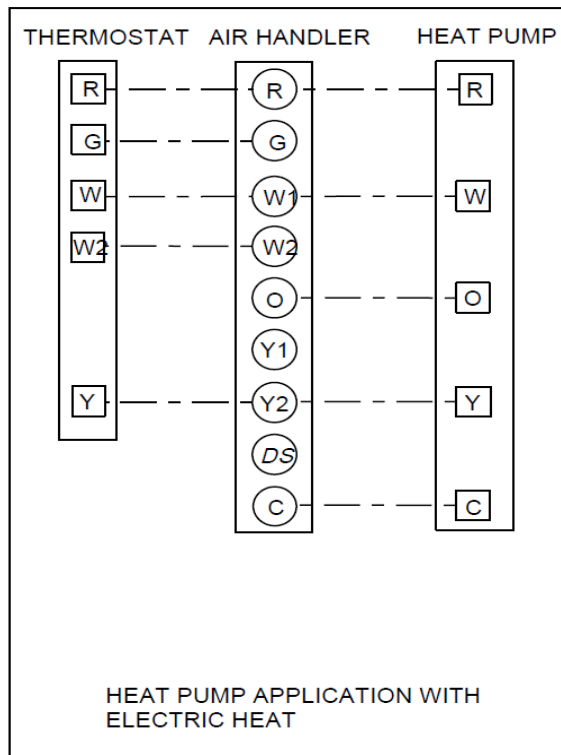
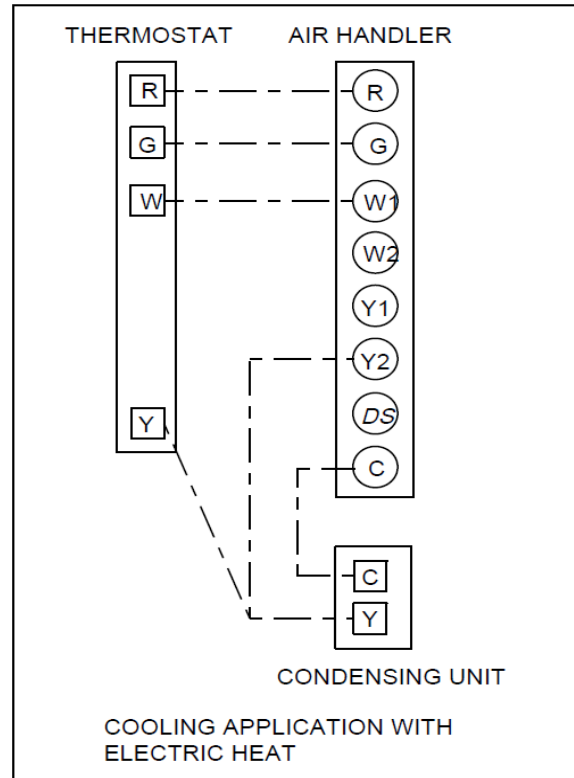
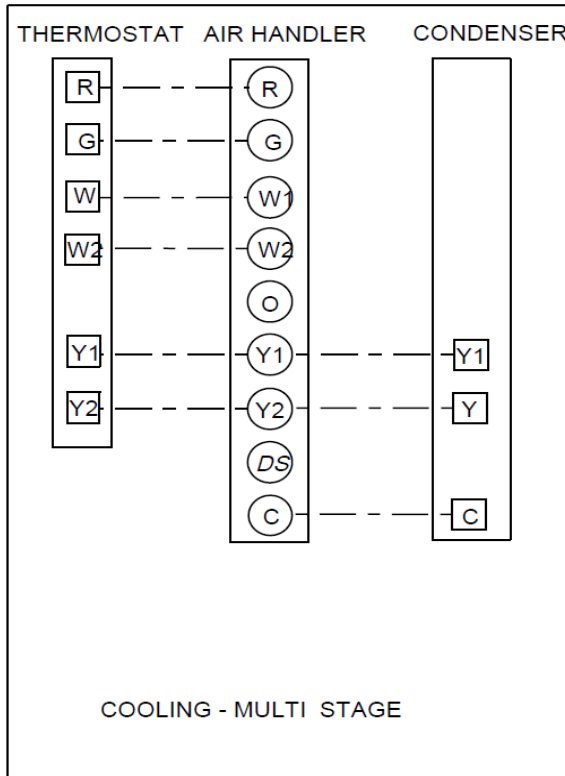
## Moteur 5-Speed (chauffage électrique)

Le courant maximum autorisé des thermostats ou autres accessoires est de 18 mA. Un dépassement de cette valeur peut entraîner un fonctionnement anormal du panneau de commande du ventilateur-convecteur.

Pour les unités extérieures à 2 stages :

Identifier le taraud/CFM désiré pour la 1ère étape à partir du diagramme de débit d'air et déplacer le fil du moteur sur le bornier jusqu'à Y1.

Identifier le taraud/CFM désiré pour la 2e étape à partir du tableau des débits d'air et déplacer le fil du moteur sur le bornier jusqu'à Y2.



## RENDEMENT DU VENTILATEUR

Les vitesses indiquées en **gras avec un astérisque\*** sont les réglages de vitesse usine pour la climatisation.

Toutes les données sont données quand le ventilo-convecteur fonctionne avec un serpentin sec et un filtre à air installés. Il s'agit de valeurs nominales et le rendement du ventilateur peut varier plus ou moins par rapport à ces valeurs en fonction du serpentin d'évaporateur utilisé.

Les données de rendement du débit d'air de chauffage à l'eau chaude comprennent la chute de pression d'air associée sur un serpentin d'eau chaude à 4 rangées pour les unités de taille 08, 12 et 16; la chute de pression d'air sur un serpentin d'eau chaude à 3 rangées pour les unités de taille 20.

### Moteur PSC 3 vitesses en 120V

Taille de l'unité	Vitesse	Débit d'air (CFM) vs. Pression statique extérieure (pouces d'eau)				
		0,1	0,2	0,3	0,4	0,5
08	Faible	749	705	658	614	558
	<b>*Moy.</b>	865	815	760	708	646
	Maxi	904	836	801	740	681
12	Faible	1198	1144	1086	1018	962
	<b>*Moy.</b>	1257	1198	1130	1072	1010
	Maxi	1273	1215	1158	1094	1018
16	Faible	1576	1514	1433	1338	1264
	Moy.	1643	1576	1490	1407	1320
	<b>*Maxi</b>	1707	1606	1545	1441	1364
20	Faible	1759	1691	1652	1580	1512
	Moy.	1838	1788	1729	1644	1555
	<b>*Maxi</b>	1928	1867	1810	1729	1637

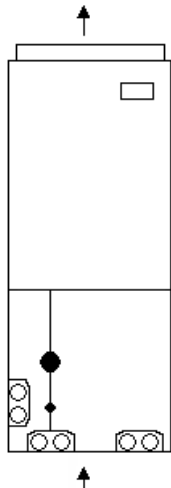
### Moteur ECM 5 vitesses en 240 V

Taille de l'unité	Appuyez sur	Débit d'air (CFM) vs. Pression statique extérieure (pouces d'eau)				
		0,1	0,2	0,3	0,4	0,5
8	1	502	266	155	156	156
	2	667	668	636	597	562
	<b>*3</b>	1008	980	925	933	915
	4	856	839	819	794	783
	5	790	758	740	734	696
12	1	839	658	320	258	220
	2	915	762	664	617	567
	<b>*3</b>	1315	1264	1227	1187	1151
	4	1105	1060	1009	973	926
	5	1048	990	951	910	852
16	1	957	773	656	599	531
	2	1020	957	916	870	828
	<b>*3</b>	1617	1580	1544	1512	1480
	4	1431	1391	1356	1325	1294
	5	1385	1342	1301	1267	1233
20	1	1113	900	757	678	595
	2	1360	1304	1249	1203	1145
	<b>*3</b>	1924	1857	1799	1738	1692
	4	1557	1498	1427	1381	1321
	5	1778	1689	1604	1543	1478

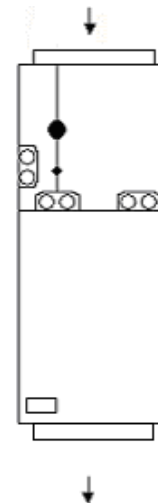
# CONFIGURATIONS D'INSTALLATION, SUITE

## Installations verticales suite

**Configuration ascendante avec ventilo-convecteur de la série MX au-dessus d'un serpentin d'évaporateur.**



**Configuration descendante avec ventilo-convecteur de la série MX sous un serpentin d'évaporateur.**



S'assurer de retourner le ventilo-convecteur comme illustré à la figure ci-dessus.

## Les configurations horizontales

Les installations horizontales peuvent être alimentées en air à gauche ou à droite. Un support adéquat doit être fourni pour assurer l'intégrité de l'enceinte. S'assurer qu'il y a suffisamment d'espace pour retirer les panneaux de service et d'accès si l'installation est horizontale. Se reporter aux instructions fournies avec le serpentin pour les installations horizontales correctes.

### IMPORTANT:

- Voir les instructions fournies avec le serpentin utilisé pour déterminer comment le drain secondaire doit être piégé et raccordé.
- Lorsqu'un serpentin d'évaporateur est installé dans un grenier ou au-dessus d'un plafond fini, une cuvette de drainage auxiliaire doit être installée sous le ventilo-convecteur et le serpentin de la série MX comme spécifié par la plupart des codes du bâtiment locaux.

### Conversion de Vertical à Horizontal

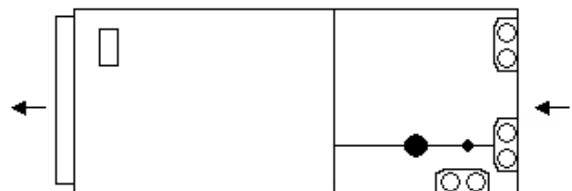
Le ventilo-convecteur de la série MX peut être converti en position verticale ou horizontale en installant des pattes de support (incluses avec tous les ventilo-convecteurs de la série MX) entre les deux pièces de l'équipement. Une cuvette de drainage horizontale du condensat (non fournie avec le ventilo-convecteur de la série MX) est également nécessaire.

### Installation de l'enceinte suspendue

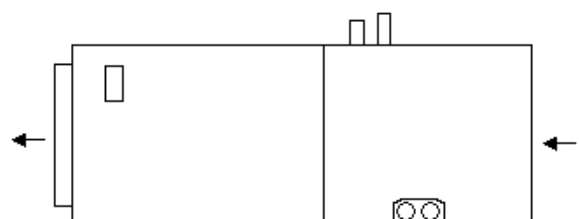
**REMRQUE :** Le ventilo-convecteur doit être positionné avec un côté parallèle au sol en position horizontale.

Les dispositifs de suspension doivent être fabriqués sur place et doivent être composés d'au moins deux « socles » fabriqués en fixant deux tiges filetées de 3/8 po à un entretoise de 1-5/8 x 7/8 po. Les socles ne doivent pas interférer avec le retrait du panneau, les connexions de drainage ou les connexions de réfrigérant.

**Configuration horizontale du ventilateur avec un serpentin multi-positions.**



**Configuration horizontale du ventilateur avec un serpentin « A » horizontal dédié ADP.**



## EXIGENCES ÉLECTRIQUES


 **AVERTISSEMENT** 

**Choc électrique**

Déconnecter l'alimentation électrique avant de procéder à l'entretien. 

Remettre toutes les pièces et panneaux en place avant de les utiliser.

Mettre le ventilo-convecteur à la terre.

Connecter le fil de terre à la borne de terre marquée .

Le non-respect de cette consigne peut entraîner la mort ou un choc électrique.

**Danger d'explosion**

Tenir les matériaux et vapeurs inflammables, comme l'essence, à l'écart de cette unité. 

Placer cette unité de manière à ce que les éléments chauffants soient à au moins 18 po (46 cm) au-dessus du sol pour une isolation dans le garage.

Le non-respect de ces instructions peut entraîner la mort, une explosion ou un incendie.

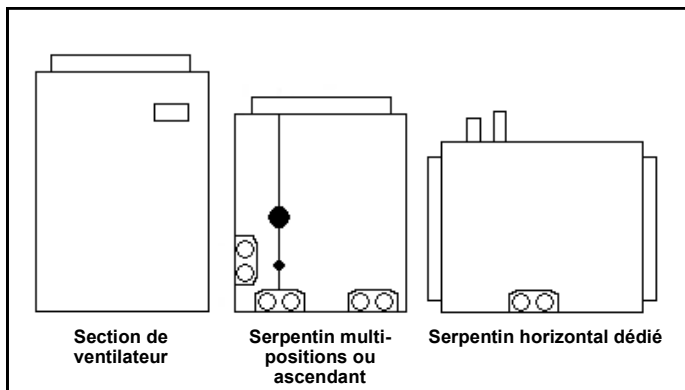
**REMARQUE :** Utiliser uniquement des conducteurs en cuivre.

- Tout le câblage sur place doit être effectué conformément au National Electrical Code, aux exigences applicables des codes UL et locaux, le cas échéant.
- Le câblage électrique, les dispositifs de déconnexion et la protection contre les surtensions doivent être fournis par l'installateur. Se reporter à la plaque signalétique du ventilo-convecteur de la série MX pour la protection maximale contre les surtensions, l'ampérage minimum du circuit et la tension de fonctionnement.
- L'alimentation électrique doit être dimensionnée et protégée conformément aux spécifications fournies avec le produit.
- Ce ventilo-convecteur de la série MX est configuré en usine pour 240 volts ou 120 volts, monophasé, 60 cycles. Pour les applications 208 volts, voir « Conversion 208 volts » à la section « Effectuer des connexions électriques ».
- Voir les instructions fournies avec l'accessoire pour une installation correcte.

## EXIGENCES EN MATIÈRE DE CONDUITES

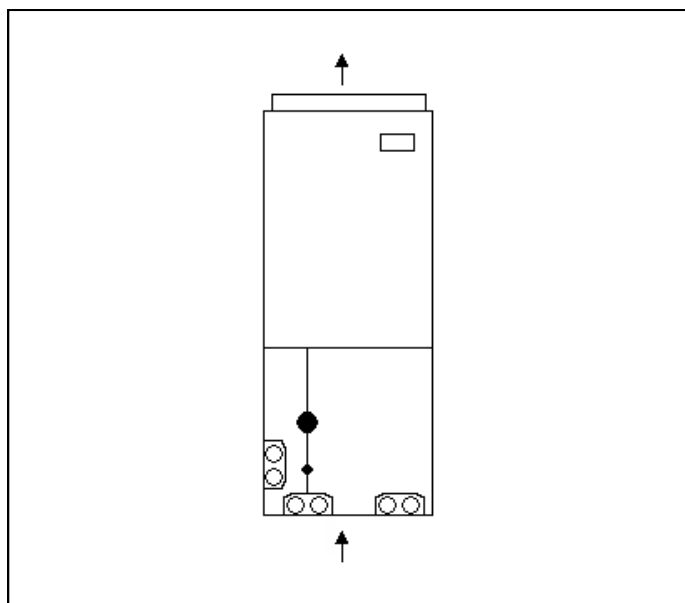
- Installer le plénum d'air conditionné, les conduits et les filtres à air (non fournis) conformément à la norme NFPA 90B relative à l'installation des systèmes de climatisation et de chauffage à air chaud (dernière édition).
- Le ventilo-convecteur de la série MX est fourni avec des brides pour le raccordement du plénum et des gaines.
- Les filtres à air doivent être homologués comme filtres à air des fournaise d'air chaud de Classe 2.
- Les gaines d'alimentation et de retour doivent être correctement dimensionnées pour répondre aux exigences du système en matière d'air et de pression statique. Les gaines doivent être isolées avec une isolation d'au moins 1 po d'épaisseur avec une barrière anti-vapeur dans les zones climatisées ou d'au moins 2 po dans les zones non climatisées.
- Le plénum d'alimentation doit être de la même taille que l'ouverture à bride fournie autour de la sortie du ventilateur et doit idéalement dépasser d'au moins 3 pi du ventilo-convecteur de la série MX avant de tourner ou de ramifier le plénum dans les conduits. Le plénum forme une extension du boîtier du ventilateur et minimise les pertes d'expansion d'air du ventilateur.

# ENSEMBLE VENTILATEUR ET SERPENTIN



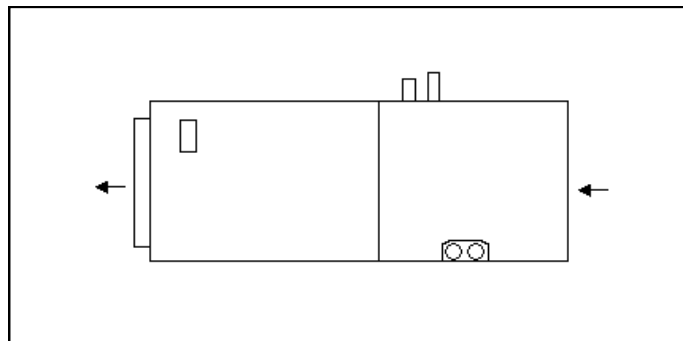
**REMARQUE :** Lire et suivre les instructions d'installation du serpentin pour assurer l'installation correcte des conduites de réfrigérant et des connexions de drainage.

## Configuration ascendante



1. S'assurer que la section de ventilateur correspond au serpentin utilisé.
2. Le bas de la section de ventilateur contient un joint de 1/2 po. Vérifier que le joint est fixé au bas de la section de ventilateur.
3. Positionner la section de ventilateur au-dessus de l'ouverture du serpentin ou sous le serpentin en fonction de la configuration désirée.
4. Le MX est conçu pour s'adapter parfaitement au serpentin ADP de profondeur « C » (20,5 po). Si la profondeur « E » est utilisée, modifier la bride du conduit comme suit : avec l'avant du MX et le serpentin alignés, couper la bride arrière du serpentin de chaque côté de manière à ce que le MX repose de niveau sur le serpentin (similaire aux images illustrées à la section « Configuration horizontale avec un serpentin A (HD) horizontal dédié »).
5. Pour fixer le ventilo-convecteur de la série MX, fixer les brides des gaines du serpentin avec des vis sur les brides des gaines de la section de ventilateur.

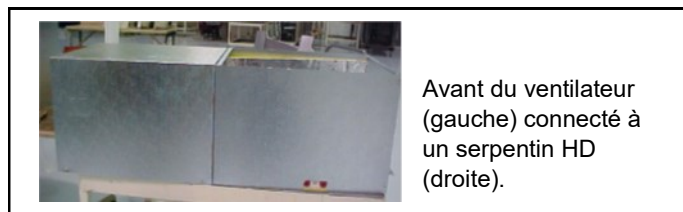
## Configuration horizontale avec serpentin « A » horizontal dédié



1. Vérifier que la section de ventilateur correspond au serpentin.
2. Le bas de la section de ventilateur contient un joint de 1/2 po. Vérifier que le joint est fixé au bas de la section de ventilateur.
3. Couper une fente de 3/4 po sur les brides supérieure et inférieure du serpentin. Pliez la bride du serpentin à 90 degrés ou vous pouvez couper la bride.



4. Positionner la section de ventilateur contre l'ouverture du serpentin.



5. Fixer les brides des gaines du serpentin aux brides des gaines de la section de ventilateur avec des vis pour fixer le ventilo-convecteur de la série MX.


# INSTALLATION DES GAINES

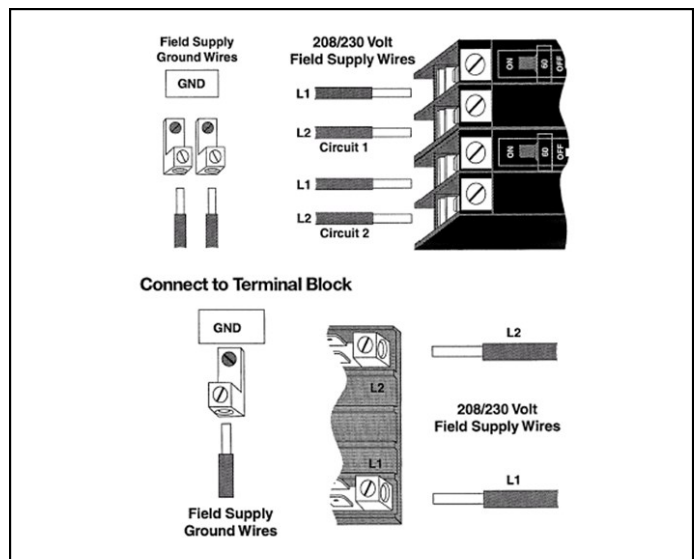
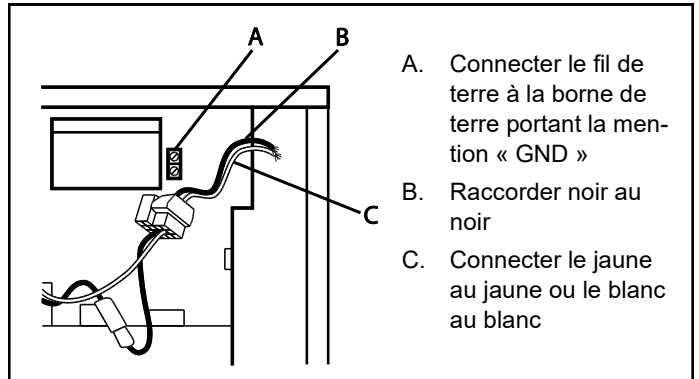
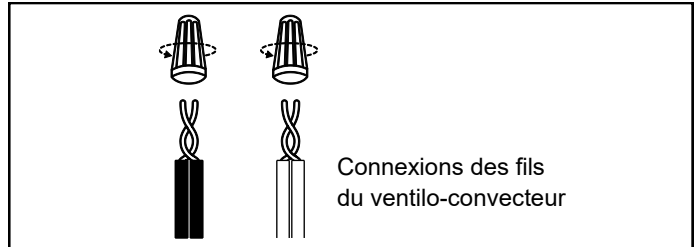
## IMPORTANT:

- Installer les gaines conformément à la norme NFPA 90B et aux codes locaux.
- Connecter le conduit d'alimentation d'air à la bride au-dessus de la section de ventilateur du ventilo-convecteur de la série MX. Si un connecteur d'isolation est utilisé, il doit être ininflammable.
- Les connexions des conduits pour le ventilo-convecteur de la série MX avec chauffage à l'eau chaude doivent laisser de la place pour les connexions des conduites d'eau en configuration ascendante et descendante.
- Il est recommandé d'utiliser un système de conduits de retour d'air. Si l'unité est installée dans un espace confiné ou un placard, une connexion de retour doit être installée à l'extérieur du placard.

# EFFECTUER LES CONNEXIONS ÉLECTRIQUES

## 240-Volt ou 120 volts

1. Déconnecter toutes les sources d'alimentation.
2. Retirer le panneau d'accès au ventilo-convecteur de la série MX.
3. Acheminer les fils d'alimentation sur place jusqu'au boîtier de connexion électrique du ventilo-convecteur de la série MX.
4. À l'aide d'écrous homologués UL, connecter les fils d'alimentation sur place au ventilo-convecteur de la série MX (noir à noir et jaune à jaune). Pour une tension de 120 volts, connecter les fils d'alimentation sur place au ventilo-convecteur de la série MX (noir à noir et blanc à blanc).
5. Connecter le fil de terre à la borne de terre portant la mention « GND » ou .
6. Remplacer le panneau d'accès au ventilo-convecteur de la série MX.



## EFFECTUER LES CONNEXIONS ÉLECTRIQUES SUITE

### Conversion 208-Volt

1. Déconnecter toutes les sources d'alimentation.
2. Retirer le panneau d'accès au ventilateur-convecteur de la série MX.
3. Déplacer les 2 fils noirs connectés du transformateur de la borne 240 volts du transformateur à la borne 208 volts du transformateur. Voir « Schéma de câblage – Chauffage électrique ».
4. Installer les bouchons d'ouverture des conduits dans les ouvertures inutilisées.
5. Si des circuits ou des sectionneurs à tirage sont utilisés, les ouvertures défonçables du panneau avant doivent être retirées.
6. Réinstaller le panneau d'accès au ventilateur-convecteur de la série MX.
7. Rebrancher l'alimentation électrique.
8. Éliminer/recycler toutes les autres pièces.

### Modification de l'orientation du disjoncteur

Pour les ventilateur-convecteurs avec connexions de tension de ligne du disjoncteur :

Si le ventilateur-convecteur de la série MX est positionné en configuration horizontale à gauche, cette position ne nécessitera aucun changement dans l'orientation d'installation du disjoncteur. Cependant, si le ventilateur-convecteur est installé en position horizontale de refoulement à droite, le disjoncteur doit être installé de manière à ce que la position ascendante du disjoncteur soit la position ON. Le changement d'orientation du disjoncteur est exigé par UL 1995, article 26.18 (25 sept. 2005).



### AVERTISSEMENT




#### Choc électrique

Déconnecter l'alimentation électrique avant de l'entretien.

Remettre toutes les pièces et panneaux en place avant de les utiliser.

Mettre le ventilateur-convecteur à la terre.

Connecter le fil de terre à la borne de terre marquée .

Le non-respect de cette consigne peut entraîner la mort ou un choc électrique.



#### Danger d'explosion

Tenir les matériaux et vapeurs inflammables, comme l'essence, à l'écart de cette unité.

Placer cette unité de manière à ce que les éléments chauffants soient à au moins 18 po (46 cm) au-dessus du sol pour une isolation dans le garage.

Le non-respect de ces instructions peut entraîner la mort, une explosion ou un incendie.



## RINÇAGE DU SERPENTIN D'EAU CHAUDE

Le rinçage du serpentin d'eau chaude avant le démarrage est nécessaire pour retirer tout matériau résiduel des processus d'installation ou de fabrication, ainsi que pour retirer tout l'air du système.

Une vanne de purge est installée de série sur tous les ventilateur-convecteurs équipés de pompes de circulation installées en usine. Si une pompe de circulation extérieure est utilisée, utiliser une vanne de purge extérieure ou un autre mécanisme pour rincer le serpentin d'eau chaude après l'installation. Prendre des précautions lors du rinçage du ventilateur-convecteur pour empêcher le panneau de commande multifonction et les autres composants électriques de se mouiller. De l'eau chaude est préférable pour le rinçage.

Le rinçage est un processus en 3 étapes. Utiliser un seau ou un flexible pour éliminer l'eau de la vanne de purge pendant le rinçage (voir Figure 9).

Tout d'abord, rincer la conduite de retour en fermant la vanne d'entrée (alimentation) et en ouvrant la vanne de sortie (retour). Ouvrir la vanne de purge. Fermer la vanne de purge une fois le rinçage terminé.

Ensuite, rincer la conduite d'alimentation et le serpentin en fermant la vanne de sortie (retour) et en ouvrant la vanne

d'entrée (alimentation). Ouvrir la vanne de purge. Fermer la vanne de purge une fois le rinçage terminé.

Troisièmement, mettre le ventilateur-convecteur sous tension. Ouvrir les vannes d'entrée et de sortie. Engager la pompe et ouvrir la vanne de purge. Vérifier la direction du débit; l'entrée doit devenir chaude avant la sortie. Fermer la vanne de purge une fois le rinçage terminé.

Faire fonctionner la pompe pendant 5 minutes immédiatement après le rinçage du système pour purger l'air restant de la chambre des paliers de la pompe.

### ATTENTION

Suivre les exigences du fabricant des conduites pour tout rinçage ou nettoyage supplémentaire nécessaire du serpentin et de la conduite si des conduites sans cuivre sont utilisées.

### ATTENTION

Ne pas engager la pompe avant la fin de la procédure de rinçage. Faire fonctionner la pompe à sec pour l'endommager.



# INSTALLATION DU SERPENTIN D'EAU CHAUDE

## AVIS

En cas de connexion à un chauffe-eau sans réservoir, il peut être nécessaire de changer la pompe de circulation pour obtenir un débit correct. Voir les instructions du chauffe-eau pour plus de détails.

## AVIS

Utiliser des tuyaux et des raccords en cuivre. D'autres matériaux compatibles pour les tuyaux et les raccords ne peuvent être utilisés que s'ils sont approuvés par les autorités de réglementation locales et s'ils sont installés conformément aux instructions d'installation et d'application du fabricant.



## AVERTISSEMENT



Les joints à souder des conduites d'eau domestiques doivent être fabriqués avec du SOUDEUR SANS PLOMB.

## AVIS

La protection antigel installée en usine sur tous les ventilo-convecteurs équipés de serpentins à eau chaude est conçue pour protéger le serpentin du gel. L'installateur doit protéger les conduites d'eau du gel dans les espaces non climatisés tels que les greniers, les vides sanitaires ou les structures qui peuvent être inoccupées pendant le gel. L'isolation des conduites ou l'utilisation d'une solution eau-glycol peut aider à éviter le gel des conduites.

Les ventilo-convecteurs de la série ADP MX équipés de serpentins de chauffage à eau chaude peuvent être utilisés avec des systèmes d'eau potable (**non approuvés pour les systèmes d'eau potable dans l'État du Massachusetts**) et sont expédiés avec ou sans pompes à circulation. Des ensembles de pompe de circulation sont également disponibles pour installation sur place. Voir le dimensionnement des tuyaux et des pompes dans le guide technique et de spécification du ventilo-convecteur pour les unités avec des pompes extérieures.

### Pour déterminer la capacité en gallons du chauffe-eau

Un chauffe-eau au gaz ou au mazout d'au moins 40 gallons à récupération élevée et/ou haute efficacité est recommandé. Le guide de dimensionnement du volume suivant est satisfaisant dans la plupart des régions. Le dimensionnement correct du chauffage de l'eau doit tenir compte à la fois de la capacité en gallons et de l'apport en BTU du chauffe-eau.

## 1. Déterminer le volume

<u>CFM</u>	<u>Chauffe-eau</u> <u>Exigences</u>
600 – 800	40 gallons
1000 – 2000	40 gallons
1400 – 1600	Soit 2 -40 gallons raccordés ensemble, 1 entrée élevée 50 gallons (entrée de 63 000 à 75 000 Btu/h), soit réservoir de 1 -72 gallons (ou plus).
2000	Toute combinaison de chauffe-eau raccordée à un débit total de 105 000 Btu/h.

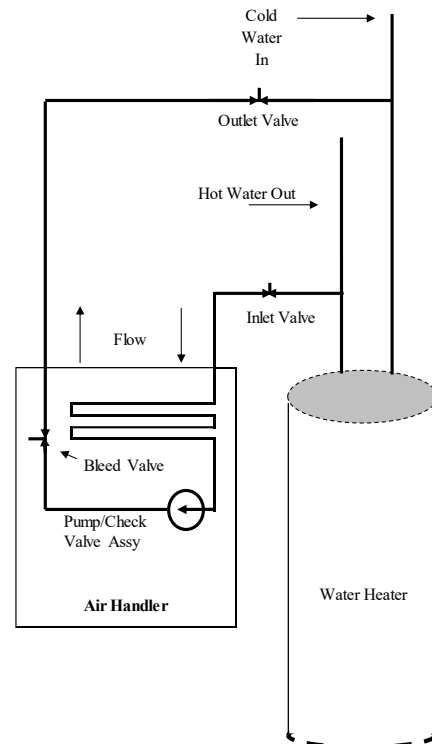
## 2. Déterminer les exigences d'entrée BTU/HR du chauffe-eau.

Supposons un rendement de récupération du chauffe-eau de 76 %

Consommation (BTU/h)=

Climats doux : perte de chaleur de la structure X 1,51

Climats froids : perte de chaleur de la structure X 1,58



Installation typique avec Chauffe-eau chaude domestique, de nombreuses variations sont possibles sur les vannes extérieures.

## INSTALLATION COMPLÈTE

**REMARQUE** : Se reporter aux instructions d'installation de l'unité extérieure pour les instructions de démarrage du système et les instructions de chargement du réfrigérant.

### Vérification PRÉ-démarrage

- L'unité est-elle correctement installée, sécurisée et utilisable ? Le ventilateur-convecteur et le serpentin d'évaporateur de la série MX présentent-ils un pas de 3/4 po en position horizontale vers la cuvette de drainage pour assurer un drainage correct du condensat ?
- Une cuvette auxiliaire a-t-elle été fournie sous l'unité avec un drain séparé pour les unités installées au-dessus d'un plafond fini ou dans toute installation où le condensat peut déborder et être endommagé ?
- Toutes les bandes ont-elles été retirées des connexions de drainage utilisées ? Tous les bouchons de cuvette de drainage n'ont-ils pas été correctement bouchés ?
- La conduite de condensat a-t-elle été correctement dimensionnée, installée, piégée, inclinée et testée ?
- Les gaines sont-elles correctement dimensionnées, installées, scotchées et isolées ?
- Toutes les ouvertures et tous les câbles de l'enceinte ont-ils été étanchéifiés ?
- La taille de l'orifice du serpentin intérieur est-elle correcte ?
- Toutes les pièces et emballages de remplacement inutilisés ont-ils été éliminés ou recyclés ?
- Le filtre est-il propre, en place et de taille adéquate ?
- Le câblage est-il propre, correct et conforme au diagramme de câblage ?
- L'unité est-elle correctement mise à la terre et protégée (fusible) ?
- Le thermostat est-il correctement câblé et en bon endroit ?
- Tous les panneaux d'accès sont-ils en place et sécurisés ?

### Vérifier fonct. du ventilateur

1. Régler le thermostat sur VENTILATEUR ON.
2. Le ventilateur intérieur doit s'allumer.

### Vérifier le réchauffeur électrique (le cas échéant)

1. Régler le thermostat pour demander le chauffage auxiliaire (environ 5 °F au-dessus de la température ambiante). Le ventilateur intérieur et le chauffage auxiliaire doivent s'allumer ensemble. Laisser tous les séquenceurs fonctionner pendant au moins 3 minutes.

2. Régler le thermostat de manière à ce qu'il ne demande pas de chauffage. Attendre jusqu'à 5 minutes pour que tous les séquenceurs s'éteignent.

### Vérifier/modifier le débit d'air

- Pour un fonctionnement correct, le débit d'air traversant le serpentin intérieur doit être compris entre 350 et 450 pi<sup>3</sup>/min par tonne de puissance de climatisation (ou 350 – 450 pi<sup>3</sup>/min par 12 000 BTU/h) en fonction de la puissance de l'unité extérieure.
- La vitesse de ventilateur de climatisation est configurée en usine pour fournir un débit d'air correct pour une unité extérieure qui correspond à la puissance de refroidissement maximale du ventilateur-convecteur de la série MX.
- Si l'unité extérieure est inférieure à la puissance de refroidissement maximale du ventilateur-convecteur de la série MX, il peut être nécessaire de modifier la vitesse de ventilateur de climatisation. Voir le Tableau de rendement du ventilateur.

**IMPORTANT** : La vitesse de ventilateur de climatisation doit être réglée pour fournir un débit d'air minimum de 350 pi<sup>3</sup>/min par tonne (12 000 BTU//HR) de capacité de climatisation extérieure.

**LE KW MAXIMUM POUR LES UNITÉS AVEC PI<sup>3</sup>/MIN NOMINAL RÉGLÉ À 1400 (3,5 TONNES) EST DE 15 KW.**

**REMARQUE** : Si le débit nominal est réglé à 1000 (2,5 tonnes) avec un chauffage électrique de 15 kW, la vitesse du moteur doit être réglée à moyenne ou supérieure.

Pour modifier la vitesse du ventilateur : Voir « Schéma de câblage – Chauffage électrique » ou « Schéma de câblage – Chauffage à l'eau chaude », en fonction de l'application utilisée.

⚠**AVERTISSEMENT**⚠

**Choc électrique**  


Déconnecter l'alimentation électrique avant de |  
l'entretien.

Remettre toutes les pièces et panneaux en place avant de  
les utiliser.

Mettre le ventilateur-convecteur à la terre.

Connecter le fil de terre à la borne de terre marquée .

Le non-respect de cette consigne peut entraîner la mort ou  
un choc électrique.

**Danger d'explosion**  


Tenir les matériaux et vapeurs inflammables,  
comme l'essence, à l'écart de cette unité.

Placer cette unité de manière à ce que les éléments  
chauffants soient à au moins 18 po (46 cm) au-dessus du  
sol pour une isolation dans le garage.

Le non-respect de ces instructions peut entraîner la mort,  
une explosion ou un incendie.

## INSTALLATION COMPLÈTE SUITE.

---

### Modèles 08, 12 et 20 avec tension d'alimentation de 120 V

1. Déconnecter toutes les sources d'alimentation.
2. Retirer le panneau d'accès au ventilateur-convecteur.
3. Situer le fil bleu (Med) entre le moteur du ventilateur et le panneau de commande.
4. Retirer ce fil bleu du panneau de commande et recouvrir cette extrémité desserrée de ce fil maintenant avec un capuchon isolant.
5. Repérer les fils rouge ou noir connectés au moteur du ventilateur. Connecter le rouge (bas) au panneau de commande à sa borne respective pour la vitesse mini ou connecter le noir (haut) au panneau de commande à sa borne respective pour la vitesse maxi.
6. Remplacer tous les panneaux.
7. Rebrancher l'alimentation électrique.

### Modèle 16 avec tension d'alimentation de 120 V

1. Déconnecter toutes les sources d'alimentation.
2. Retirer le panneau d'accès au ventilateur-convecteur.
3. Situer le fil noir (haut) entre le moteur du ventilateur et le panneau de commande.
4. Retirer ce fil noir du panneau de commande et recouvrir cette extrémité desserrée de ce fil avec un capuchon isolant.
5. Repérer les fils bleu ou rouge connectés au moteur du ventilateur. Connecter le Blue (Med) au panneau de commande à sa borne respective pour la vitesse moyenne ou connecter le Red (Low) au panneau de commande à sa borne respective pour la vitesse mini.
6. Remplacer tous les panneaux.
7. Rebrancher l'alimentation électrique.

## SÉQUENCE DE FONCTIONNEMENT

---

### Modèles avec tension d'alimentation de 208/240 V, 60 Hz

#### Climatisation

Quand le thermostat demande la climatisation, le circuit entre R et G est terminé et le relais du ventilateur est mis sous tension. Les contacts Normalement ouverts se ferment, ce qui fait fonctionner le moteur du ventilateur intérieur. Le circuit entre R et Y est également terminé; ce circuit ferme le contacteur du moteur du ventilateur extérieur. Les circuits R et O ou R et B mettent la vanne d'inversion sous tension, en la mettant en position Climatisation (en fonction de l'unité extérieure). Le ventilateur du ventilateur-convecteur s'arrête 45 secondes après que le thermostat ait arrêté de demander le refroidissement.

#### Chauffage (chauffage électrique uniquement)

Quand le thermostat demande de la chaleur, le circuit entre R et W est terminé et le séquenceur de l'aérotherme est mis sous tension. Un délai s'écoule avant que les éléments de chauffage et le moteur du ventilateur intérieur ne s'allument. Les unités équipées d'un deuxième séquenceur de chaleur peuvent être connectées avec le premier séquenceur à W sur la base secondaire du thermostat ou à une deuxième étape sur la base secondaire. Le ventilateur du ventilateur-convecteur s'arrête 30 secondes après que le thermostat a arrêté de demander le chauffage.

#### Chauffage (thermopompe avec chauffage électrique)

Quand le thermostat demande du chauffage, les circuits entre R et Y et R et G sont terminés. Circuit R-Y met le contacteur sous tension pour démarrer le moteur du ventilateur extérieur et le compresseur. Les circuits R et G mettent le relais du ventilateur sous tension et démarrent le moteur du ventilateur intérieur. Les circuits R et O ou R et B mettent la vanne

d'inversion sous tension, le mettant en position de chauffage (en fonction de l'unité extérieure). Si la température de la pièce continue à chuter, le circuit entre R et W1 est complété par le thermostat de la pièce de chauffage de deuxième stage. Le circuit R-W1 met sous tension un séquenceur de chaleur. Le circuit terminé met sous tension le chauffage électrique supplémentaire (le cas échéant). Les unités équipées d'un deuxième séquenceur de chauffage peuvent être connectées au premier séquenceur à W1 sur le thermostat ou à un deuxième stage de chauffage W2 sur la base du thermostat. Le ventilateur du ventilateur-convecteur s'arrête 30 secondes après que le thermostat a arrêté de demander le chauffage.

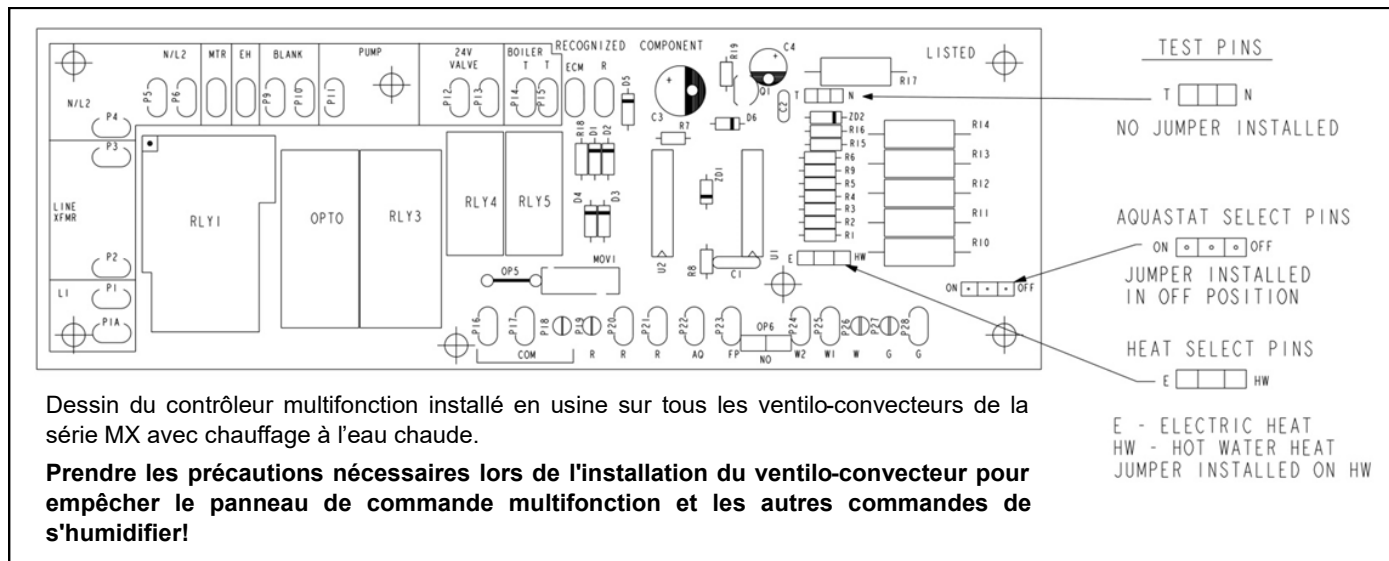
#### Chauffage d'urgence (thermopompe avec chauffage électrique)

Si le sélecteur du thermostat est réglé sur la position de chauffage d'urgence, la thermopompe est verrouillée hors du circuit de chauffage et tout le chauffage est un chauffage électrique (le cas échéant). Un cavalier doit être placé entre W2 et E sur la base du thermostat de manière à ce que le contrôleur de chauffage électrique passe au chauffage de premier stage du thermostat. Ceci permet au ventilateur intérieur de se mettre en marche et de s'arrêter avec le chauffage électrique quand l'interrupteur du ventilateur est en position AUTO.

# SÉQUENCE DE FONCTIONNEMENT SUITE

## Modèles avec chauffage à eau chaude

Le circuit de l'interrupteur de sécurité de la porte du ventilateur doit être terminé pour que toutes les séquences de fonctionnement aient lieu.



### Climatisation

Quand le thermostat demande la climatisation, le circuit entre R et G est terminé. Les contacts normalement ouverts se ferment, ce qui fait fonctionner le moteur du ventilateur intérieur. Le circuit entre R et Y est également terminé; ce circuit ferme le contacteur du moteur du ventilateur extérieur. Les circuits R et O ou R et B mettent le vanne d'inversion sous tension, en le mettant en position Climatisation (en fonction de l'unité extérieure). Le ventilateur du ventilo-convecteur s'arrête 45 secondes après que le thermostat a arrêté de demander le refroidissement.

### Chauffage (chauffage à l'eau chaude uniquement)

Quand le thermostat demande de la chaleur, le circuit entre R et W est terminé, ce qui active la pompe de circulation d'eau chaude. Si une pompe de circulation installée sur place est utilisée, le panneau de commande peut toujours être câblé directement à la pompe ou à un vanne d'isolation fournissant de l'eau chaude au ventilo-convecteur à l'aide du contacteur à relais 24V du panneau de commande. Un relais de commutation sec similaire de 24 V étiqueté TT peut être utilisé pour activer une vanne de chaudière ou de chauffe-eau. Une fois le circuit entre R et W terminé

1. Unités équipées d'aquastats installés en usine - La température de l'eau à l'intérieur du serpentin d'eau chaude doit atteindre 130 degrés. Avant que le circuit entre R et G ne soit terminé pour activer le moteur du ventilateur intérieur. Pour désactiver un aquastat installé en usine, il suffit de déplacer la broche du sélecteur sur le panneau de commande multifonction (voir schéma ci-dessus) de la position Marche à la position Arrêt.
2. Unités sans Aquastats installés en usine ou Aquastats désactivés - Un délai de 60 secondes s'écoule avant que le circuit entre R et G n'active le moteur du ventilateur intérieur.

Le ventilateur du ventilo-convecteur s'arrête 30 secondes après que le thermostat a arrêté de demander le chauffage.

### Chauffage (thermopompe avec eau chaude)

Quand le thermostat demande du chauffage, les circuits entre R et Y et R et G sont terminés. Circuit R-Y met le contacteur sous tension pour démarrer le moteur du ventilateur extérieur et le compresseur. Les circuits R et G mettent le relais du ventilateur sous tension et démarrent le moteur du ventilateur intérieur. Les circuits R et O ou R et B mettent le vanne d'inversion sous tension, en le mettant en position Climatisation (en fonction de l'unité extérieure). Si la température de la pièce continue à chuter, le thermostat de la pièce de chauffage de deuxième stage termine le circuit entre R et W. Si une pompe de circulation installée sur place est utilisée, le panneau de commande peut toujours être câblé directement à la pompe ou à un vanne d'isolation fournissant de l'eau chaude au ventilo-convecteur à l'aide du contacteur à relais 24V du panneau de commande. Un relais de commutation sec similaire de 24 V étiqueté TT peut être utilisé pour activer une vanne de chaudière ou de chauffe-eau. Une fois le circuit entre R et W terminé.

1. Unités équipées d'aquastats installés en usine - La température de l'eau à l'intérieur du serpentin d'eau chaude doit atteindre 130 degrés. Avant que le circuit entre R et G ne soit terminé pour activer le moteur du ventilateur intérieur. Pour désactiver un aquastat installé en usine, il suffit de déplacer la broche du sélecteur sur le panneau de commande multifonction (voir schéma ci-dessus) de la position Marche à la position Arrêt.
2. Unités sans Aquastats installés en usine ou Aquastats désactivés - Un délai de 60 secondes s'écoule avant que le circuit entre R et G n'active le moteur du ventilateur intérieur.

Le ventilateur du ventilo-convecteur s'arrête 45 secondes après que le thermostat a arrêté de demander le chauffage.

**Instructions pour les aquastats installés sur place non-ADP - Chauffage à eau chaude**

Pour tous les aquastats externes non-ADP utilisés avec ce ventilo-convecteur, suivre les instructions d'installation fournies par le fabricant de l'aquastat.

**Protection contre le gel (chauffage à l'eau chaude)**

Si la température de l'eau à l'intérieur du serpentin d'eau chaude tombe en dessous de 40 °F, le circuit entre R et W est terminé, ce qui active la pompe de circulation d'eau chaude, la pompe de circulation extérieure ou la vanne d'isolation. Une fois que la température de l'eau dépasse 70 °F, le circuit entre R et W est ouvert et l'eau chaude arrête de circuler dans le serpentin d'eau chaude.

Pour empêcher la protection contre le gel d'activer la pompe de circulation d'eau en mode Climatisation, déplacer le thermostat de congélation à l'extrême gauche ou à l'extrême droite du serpentin d'eau et isoler avec du ruban adhésif en mousse.

**Minuterie de la pompe (chauffage à l'eau chaude)**

L'État du Massachusetts exige l'utilisation d'une minuterie pour les applications avec eau domestique pour faire circuler l'eau périodiquement pendant le cycle d'arrêt. Cette minuterie de la pompe est une fonction standard installée en usine sur tous les ventilo-convecteurs de la série MX avec chauffage à l'eau chaude. La minuterie de la pompe active la pompe de circulation ou la vanne d'isolation pendant une minute toutes les six heures en complétant le circuit entre R et W. La minuterie de la pompe est ignorée lorsque le compresseur extérieur fonctionne.

## **ENTRETIEN DU VENTILO-CONVECTEUR DE LA SÉRIE MX**

---

Au début de chaque saison de chauffage, l'unité doit être entretenue par un installateur ou une société d'entretien qualifié.

## **ASSISTANCE OU SERVICE**

---

Si vous avez besoin d'aide, vous pouvez nous contacter à l'adresse ci-dessous pour toute question ou préoccupation. Veuillez indiquer un numéro de téléphone de jour dans votre correspondance.

**Advanced Distributor Products**  
**1995 Air Industrial Park Road**  
**Grenada, MS 38901**

# GARANTIE LIMITÉE SUR LE VENTILO-CONVECTEUR ADP

## Durée de la garantie

Advanced Distributor Products (ADP) garantit que ses produits vendus seront de qualité marchande, exempts de défauts de matière et de main-d'œuvre, dans des conditions d'utilisation et d'entretien normales, pendant une période de cinq (5) ans à compter de la date d'installation, **sans** dépasser six (6) ans à compter de la date de fabrication, sous réserve des conditions de la garantie limitée d'ADP.

Pour en savoir plus sur la garantie de ce produit, y compris l'accès aux conditions de garantie complètes, l'enregistrement pour une garantie prolongée\* ou les instructions pour déposer une réclamation au titre de la garantie, veuillez vous rendre sur [www.ADPwarranty.com](http://www.ADPwarranty.com).

*\* Dans les États ou provinces où les exigences d'enregistrement sont interdites, le fait de ne pas terminer l'enregistrement par le consommateur ne réduit pas ses droits à la garantie.*

## Information sur l'équipement

*Veuillez écrire les renseignements demandés ci-dessous et conserver la présente garantie dans vos dossiers, pour consultation future.*

Numéro de modèle de l'unité : \_\_\_\_\_

Numéro de série : \_\_\_\_\_

Entrepreneur installateur : \_\_\_\_\_

Date d'installation : \_\_\_\_\_

Téléphone : \_\_\_\_\_





---

2140 Lake Park Blvd, Richardson, TX 75080, États-Unis  
[www.adpnow.com](http://www.adpnow.com)