



Installation Instructions

F Series

Premier Low Profile Air Handlers

Electric or No Heat, with available 5-Speed High Efficiency ECM Motor

TABLE OF CONTENTS	PAGE	PAGE	
Air Handler Safety.....	1	Ductwork Requirements.....	21
General.....	5	Install Ductwork.....	21
Inspect Shipment.....	5	Metering Device.....	21
Wiring Diagrams.....	6	Refrigerant Line Installation.....	22
Thermostat Connections.....	8	Refrigerant Charging Instructions.....	22
Blower Performance Data.....	14	Refrigerant Detection System Requirements.....	23
Tools and Parts.....	17	Dip Switch Settings.....	25
Outdoor System Requirements.....	17	Test Button functions.....	25
Location Requirements.....	17	Electrical Connections.....	28
Installation Clearances.....	17	Air Handler Checks.....	29
Label installation.....	17	Sequence of Operations.....	30
Electrical Requirements.....	18	Refrigerant Recovery Instructions.....	30
Configuration Options.....	18	Flammable Refrigerant Detection.....	31
Drain Pan Connections.....	19	Air Handler Maintenance.....	31
Sloping the Drain.....	20	Assistance or Service.....	31
Install Condensate Drain.....	20	Warranty.....	32

AIR HANDLER SAFETY

SAFETY CONSIDERATIONS

Your safety and the safety of others are very important.

We have provided many important safety messages in this manual and on your appliance. Always read and obey all safety messages.

This is the safety alert symbol.

This symbol alerts you to potential hazards that can kill or hurt you and others.



All safety messages will follow the safety alert symbol and signal word. These signals words mean the following:

DANGER: You can be killed or seriously injured if you don't immediately follow instructions.

WARNING: Indicate a potentially hazardous situation which, if not

avoided, could result in death or serious injury.

CAUTION: Indicates a potentially hazardous situation which, if not avoided, may result in minor or moderate injury. Caution may also be used to alert against unsafe practices.

NOTICE: Indicates a statement of company policy as the message relates directly or indirectly to the safety of personnel or protection of property.

IMPORTANT: More detailed information concerning the statement of company policy as the message relates directly or indirectly to the safety of personnel or protection of property.

All safety messages will tell you what the potential hazard is, tell you how to reduce the chance of injury, and tell you what can happen if the instructions are not followed.



CAUTION



This appliance is not intended for use by persons (including children) with reduced physical, sensory or mental capabilities, or lack of experience and knowledge, unless they have been given supervision or instruction concerning use of the appliance by a person responsible for their safety. Children should be supervised ensure that they do not play with the appliance.



Product improvement is a continuous process at Advanced Distributor Products. Therefore, product specifications are subject to change without notice and without obligation on our part. Please contact your ADP representative or distributor to verify details.

© 2024 by Advanced Distributor Products. All rights reserved.

AIR HANDLER SAFETY

IMPORTANT

This unit is a PARTIAL UNIT AIR CONDITIONER, complying with PARTIAL UNIT requirements of this Standard, and must only be connected to other units that have been confirmed as complying to corresponding PARTIAL UNIT requirements of this Standard, UL 60335-2-40/CSA C22.2 No. 60335-2-40, or UL 1995/CSA C22.2 No 236.

IMPORTANT

The Clean Air Act of 1990 bans the intentional venting of refrigerant (CFC's and HFC's). Approved methods of reclaiming must be followed. Fines and/or incarceration may be levied for non-compliance.

IMPORTANT

This unit is a PARTIAL UNIT, it shall only be connected to an appliance using the same refrigerant as listed in the name plate of this unit.

NOTICE

Leak detection system Installed. Unit must be powered except for service

IMPORTANT

In addition to conventional charging procedures, the following requirements shall be followed.

1. Ensure that contamination of different refrigerants does not occur when using charging equipment. Hoses or lines shall be as short as possible to minimize the amount of refrigerant contained in them.
2. Cylinders shall be kept in an appropriate position according to the instructions.
3. Ensure that the REFRIGERATION SYSTEM is earthed before charging the system with refrigerant.
4. Label the system when charging is complete
5. Extreme care shall be taken not to overfill the REFRIGERATION SYSTEM. Prior to recharging the system, it shall be pressure-tested with appropriate purging gas. The system shall be leak-tested on completion of charging but prior to commissioning. A follow-up leak test shall be carried out prior to leaving the site.

IMPORTANT

Improper installation, adjustment, alteration, service or maintenance can cause property damage, personal injury or loss of life. Installation and service must be performed by a licensed professional HVAC installer or equivalent, service agency, or the gas supplier.

CAUTION

Any service personnel installing, decommissioning, or performing maintenance on the unit must be properly trained with A2L refrigerants

NOTICE

Sealed electrical components shall be replaced, not repaired.

NOTICE

Intrinsically safe components shall be replaced, not repaired.

THIS UNIT REQUIRES SERVICE EQUIPMENT COMPATIBLE WITH R-454B REFRIGERANT

R-454B

REFRIGERANT SAFETY GROUP A2L

67684001

THIS UNIT REQUIRES SERVICE EQUIPMENT COMPATIBLE WITH R-32 REFRIGERANT

R-32

REFRIGERANT SAFETY GROUP A2L

67684101

WARNING

Do not use means to accelerate the defrosting process or to clean other than those recommended by the manufacturer. The appliance shall be stored in a room without continuously operating ignition sources (for example: open flames, an operating gas appliance or an operating electric heater. Do not pierce or burn. Be aware that refrigerants may not contain an odor.

CAUTION

Equipment shall be labeled stating that it has been decommissioned and emptied of refrigerant. The label shall be dated and signed. For appliances containing flammable refrigerants, ensure that there are labels on the equipment stating the equipment contains flammable refrigerant.

NOTICE

Ensure that the cabling is not subject to wear, corrosion, excessive pressure, vibration, sharp edges or any other adverse environmental effects.

AIR HANDLER SAFETY



IMPORTANT



Work shall be undertaken under a controlled procedure so as to minimize the risk of a flammable gas or vapor being present while the work is being performed.



NOTICE



All maintenance staff and others should avoid working in confined spaces.



IMPORTANT



The area shall be checked with an appropriate refrigerant detector prior to and during work, to ensure the technician is aware of potentially toxic or flammable atmospheres. Ensure that the leak detection equipment being used is suitable for use with all applicable refrigerants, i.e. non-sparking, adequately sealed or intrinsically safe.



IMPORTANT



If any hot work is to be conducted on the refrigerating equipment or any associated parts, appropriate fire extinguishing equipment shall be available to hand. Have a dry powder or CO2 fire extinguisher adjacent to the charging area.



CAUTION



No person carrying out work in relation to a refrigerating system which involves exposing any pipe work shall use any sources of ignition in such a manner that it may lead to the risk of fire or explosion. All possible ignition sources, including cigarette smoking, should be kept sufficiently far away from the site of installation, repairing, removing and disposal, during which refrigerant can possibly be released to the surrounding space. Prior to work taking place, the area around the equipment is to be surveyed to make sure that there are no flammable hazards or ignition risks. "No Smoking" signs shall be displayed.



IMPORTANT



Ensure that the area is in the open or that it is adequately ventilated before breaking into the system or conducting any hot work. A degree of ventilation shall continue during the period that the work is carried out.



CAUTION



Some soaps used for leak detection are corrosive to certain metals. Carefully rinse the piping thoroughly after leak test has been completed. Do not use matches, candles, flame or other sources of ignition to check for gas leaks.



IMPORTANT



Where electrical components are being changed, they shall be fit for the purpose and to the correct specification. At all times the manufacturer's maintenance and service guidelines shall be followed. If in doubt, consult the manufacturer's technical department for assistance. The following checks shall be applied to installations using FLAMMABLE REFRIGERANTS as applicable.

1. The actual refrigerant charge is in accordance with the room size within which the refrigerant containing parts are installed.
2. The ventilation machinery and outlets are operating adequately and are not obstructed.
3. If an indirect refrigerating circuit is being used, the secondary circuit shall be checked for the presence of refrigerant.
4. Markings to the equipment continues to be visible and legible. Markings and signs that are illegible shall be corrected
5. Refrigerating pipe or components are installed in a position where they are unlikely to be exposed to any substance which may corrode refrigerant containing components, unless the components are constructed of materials which are inherently resistant to being corroded or are suitably protected against being so corroded.



CAUTION



Repair and maintenance to electrical components shall include initial safety checks and component inspection procedures such as that capacitors are discharged in a safe manner to avoid possibility of sparking, that no live electrical components and wiring are exposed while charging, recovering, or purging the system, and that there is continuity of earth bonding. If a fault exists that could compromise safety, then no electrical supply shall be connected to the circuit until it is satisfactorily dealt with. If the fault cannot be corrected immediately but it is necessary to continue operation, an adequate temporary solution shall be used that is reported to the owner of the equipment, so all parties are advised.



NOTICE



Maximum altitude of application is 3200 m above sea level.



NOTICE



After completion of field piping for split systems, the field pipework shall be pressure tested with an inert gas to a minimum of 450 psig and then vacuum tested prior to refrigerant charging.



NOTICE



Field-made refrigerant joints indoors shall be tightness tested. The test method shall have a sensitivity of 5 grams per year of refrigerant or better under a pressure of at least 0.25 times the maximum allowable pressure. No leak shall be detected.

AIR HANDLER SAFETY

WARNING

Auxiliary devices which may be a potential ignition source shall not be installed in the duct work. Examples of such potential ignition sources are hot surfaces with a temperature exceeding 700°C and electric switching devices.

NOTICE

All maintenance staff and others working in the local area shall be instructed on the nature of work being carried out with work in confined spaces being avoided.

WARNING

For appliances using A2L refrigerants connected via an air duct system to one or more rooms, only auxiliary devices approved by the appliance manufacturer or declared suitable with the refrigerant shall be installed in connecting ductwork.

WARNING

For duct connected appliances, false ceilings or drop ceilings may be used as a return air plenum if a REFRIGERANT DETECTION SYSTEM is provided in the appliance and any external connections are also provided with a sensor immediately below the return air plenum duct joint.

WARNING

If this appliance is conditioning a space with an area smaller than the TA_{min} as defined by instructions, then that space must be without continuously operating open flames (e.g. an operating gas appliance) or other potential ignition sources (e.g. an operating electric heater or similar hot surface). A flame producing device may be installed in the same space if the device is provided with an effective flame arrest system.

NOTICE

Pipe-work including piping material, pipe routing, and installation shall include protection from physical damage in operation and service, and be in compliance with national and local codes and standards, such as ASHRAE 15, ASHRAE 15.2, IAPMO Uniform Mechanical Code, ICC International Mechanical Code, or CSA B52. All field joints shall be accessible for inspection prior to being covered or enclosed.

Evaporator coils using A2L refrigerants (R-454B & R-32) installed at building site ground level altitude, must comply with a minimum conditioned area requirements are show below.

TA_{min} Table							
R-454B / R-32 Refrigerant Charge (lbs)	3	5	10	15	20	25	30
R-454B / R-32 Refrigerant Charge (kg)	1.4	2.3	4.5	6.8	9.1	11.3	13.6
MINIMUM CONDITIONED AREA (ft²)	45	75	150	225	300	375	450
MINIMUM CONDITIONED AREA (m²)	4.2	7.0	13.9	20.9	27.9	34.8	41.8

Minimum conditioned area requirements must be adjusted by multiplying with the altitude adjustment factor (AF) for installation at higher altitudes (H_{ait}). Tables shown below lists the AF values for different altitudes in meters.

ALTITUDE ADJUSTMENT FACTOR													
H_{ait} (METERS)	0 - 600	800	1000	1200	1400	1600	1800	2000	2200	2400	2600	3000	3200
AF	1.00	1.02	1.05	1.07	1.10	1.12	1.15	1.18	1.21	1.25	1.28	1.36	1.40

GENERAL

These instructions are intended as a general guide only and do not supersede any national or local codes in any way. Compliance with all local, state, or national codes pertaining to this type of equipment should be determined prior to installation.

Read this entire instruction manual, as well as the instructions supplied in separate equipment, before starting the installation.

All models are designed for indoor installation only.

The installation of the air handler, field wiring, warm air ducts, etc. must conform to the requirements of the National Electrical Code, ANSI/NFPA No. 70 (latest edition) in the United States, and any state laws, and local ordinances (including plumbing or wastewater codes). Local authorities having jurisdiction should be consulted before installation is made. Such applicable regulations or requirements take precedence over the general instructions in this manual.

Install the conditioned air plenum, ducts and air filters (not provided) in accordance with NFPA 90B Standard for the Installation of Warm Air Heating and Air-Conditioning Systems (latest edition).

Some models are configured for upflow air discharge only, and some models are configured for upflow or horizontal left-hand air discharge.

Do not remove the cabinet knockouts until it has been determined which knockouts need to be removed for the installation.

Select the final installation position that best suits the site

! **WARNING** !

Electrical Shock

Disconnect power before servicing.

Replace all parts and panels before operating.

Electrically ground air handler.

Connect ground wire to ground terminal marked

Failure to do so can result in death or electrical shock.

Explosion Hazard

Keep flammable materials and vapors, such as gasoline, away from this unit.

Place this unit so that the heating elements are 18in (46cm) above the floor for a garage insulation.

Failure to follow these instructions can result in death, explosion or fire.

conditions. Consider required clearances, space, routing requirements for refrigerant line, condensate disposal, filters, ductwork, wiring, and accessibility for service. Refer to the air handler rating plate on the air handler for specific information.

INSPECT SHIPMENT

! **WARNING** !

Excessive Weight Hazard

Use two or more people to move and install air handler.

Failure to do so can result in back or other injury.

All air handlers are performance tested. Each unit consists of a blower assembly, refrigerant coil and controls, in an insulated, factory-finished enclosure. Knockouts are provided for electrical wiring entrance.

1. Check the unit rating plate to confirm specifications are as ordered.
2. Upon receipt of equipment, carefully inspect it for possible shipping damage. Take special care to examine the unit if the carton is damaged.

If damage is found, it should be noted on the carrier's freight bill. Damage claims should be filed with the carrier immediately. Claims of shortages should be filed with the seller within 5 days.

NOTE: If any damages are discovered and reported to the carrier, do not install the unit because your claim may be denied.

FIGURE 5

Adjusting Filter Rack Tabs

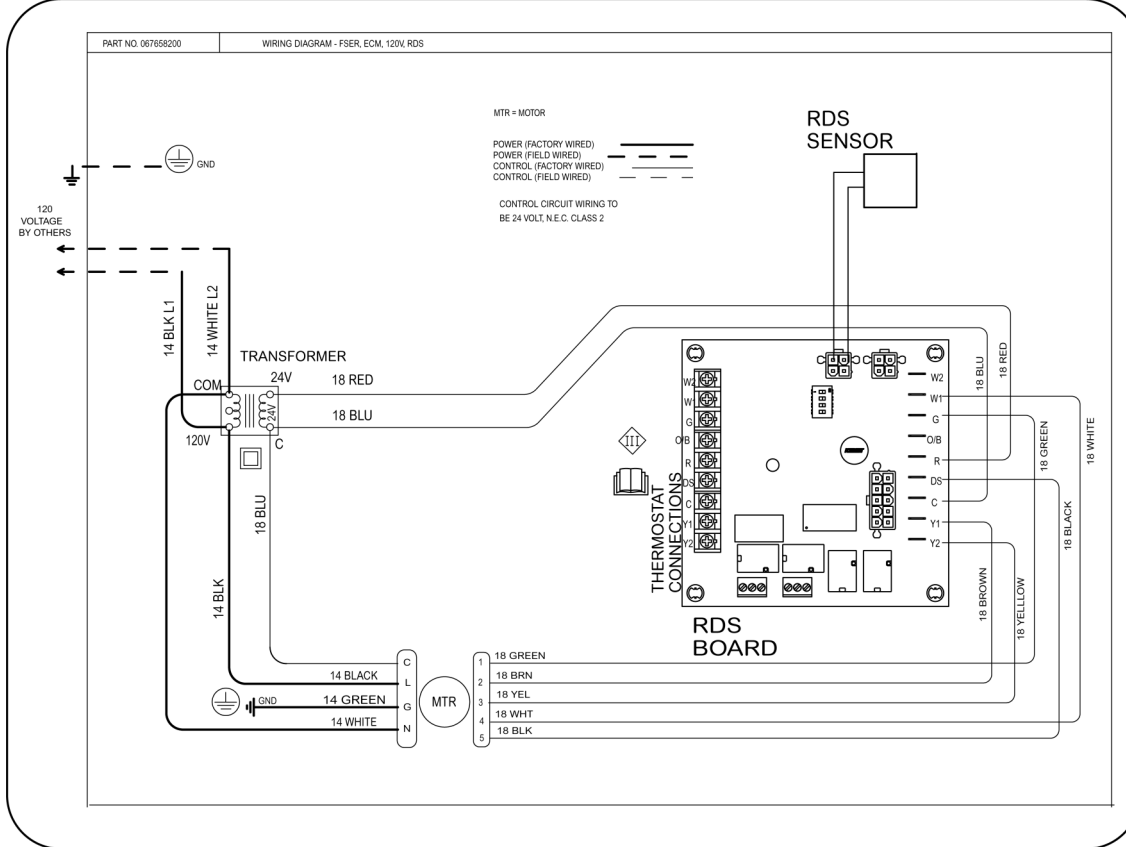
Model	Filter Size
12 / 18 / 24	12" x 20"
25 / 30 / 36	16" x 20"
31 / 37 / 42 / 48 / 60	18" x 25"

If a filter is to be installed, a filter rack must be formed using factory-supplied flanges as shown in Figure 5.

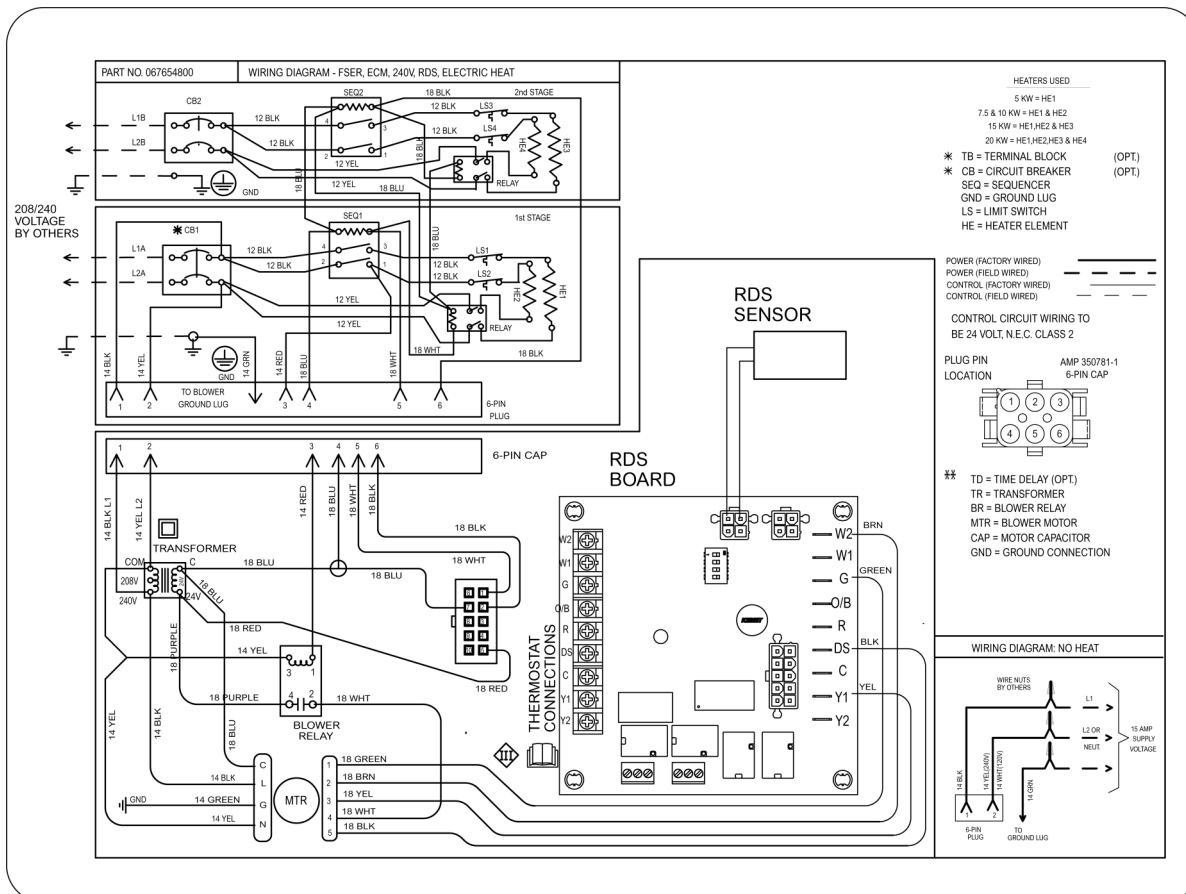
1. Lay air handler on its back.
2. Pry filter rack tabs.
3. Place air handler in vertical position.

WIRING DIAGRAM

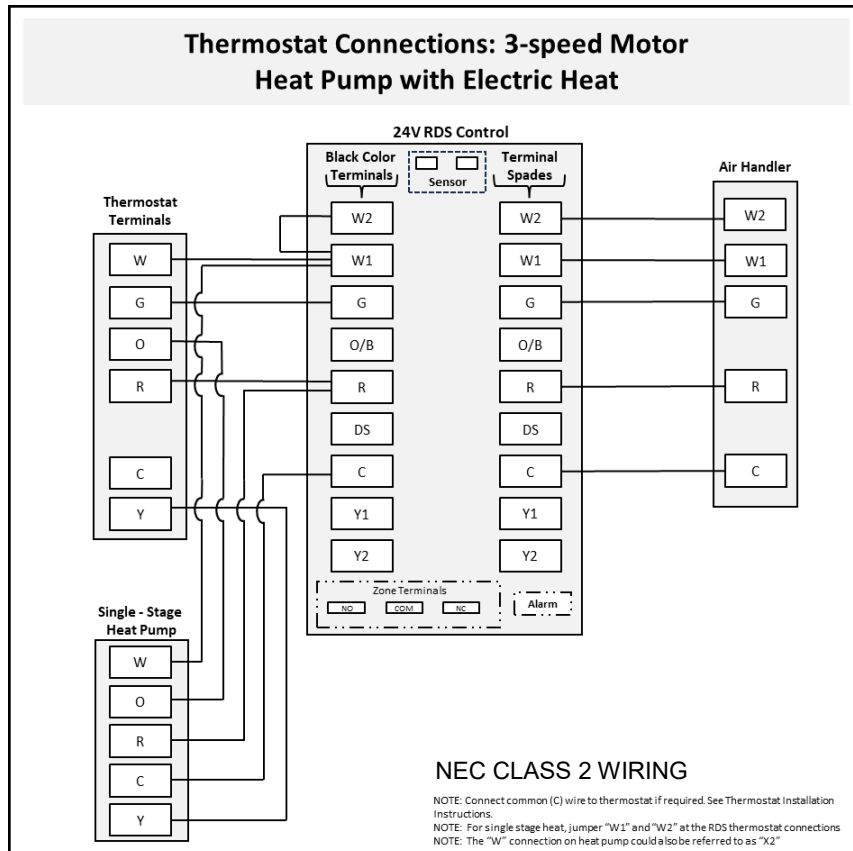
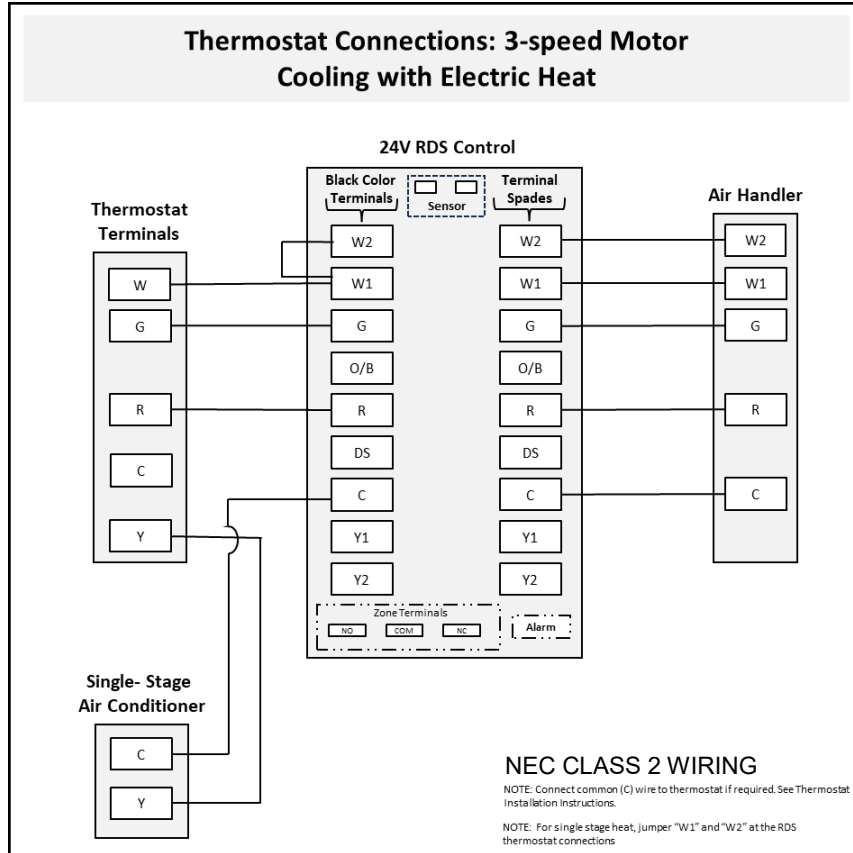
5-Speed ECM Motor 120V Electric Heat with Refrigerant Detection System



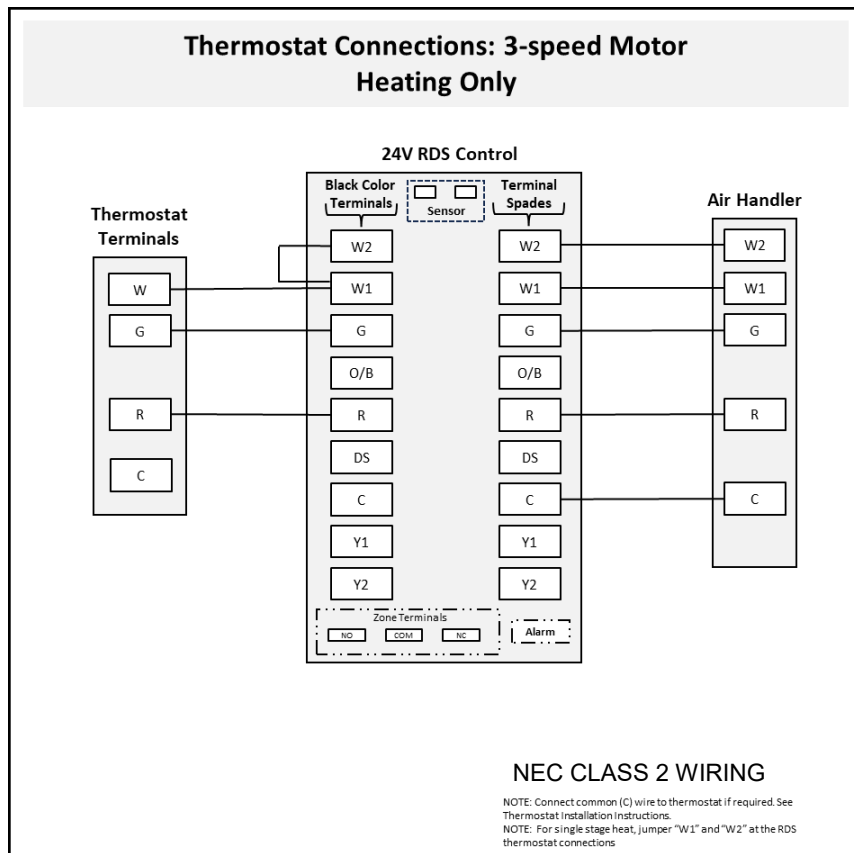
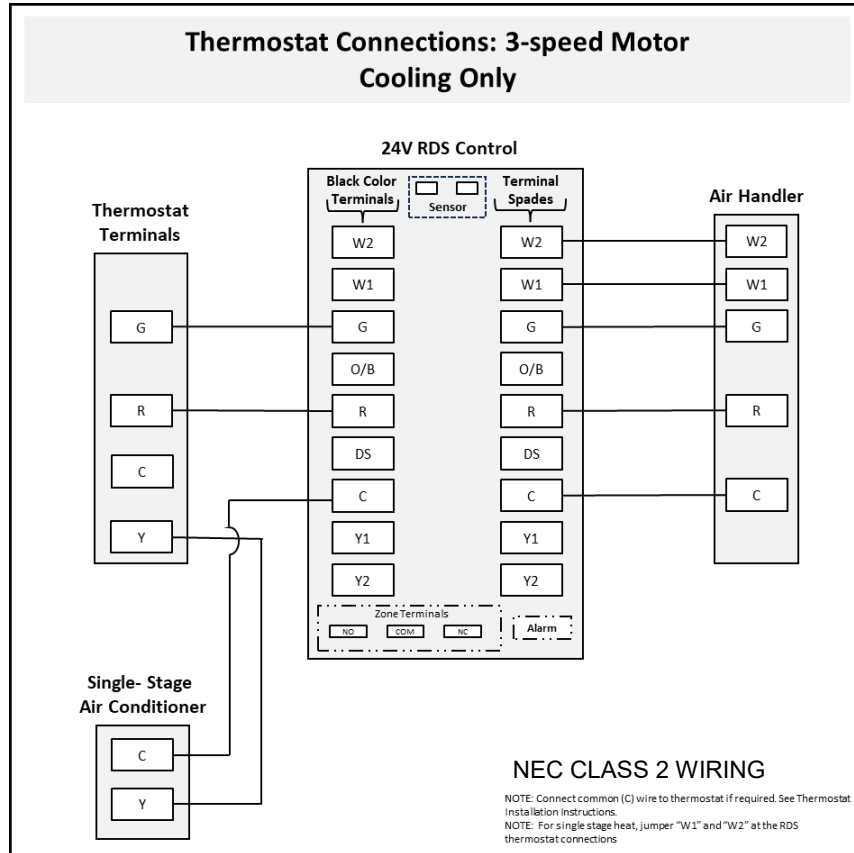
5-Speed ECM Motor 240V Electric Heat with Refrigerant Detection System



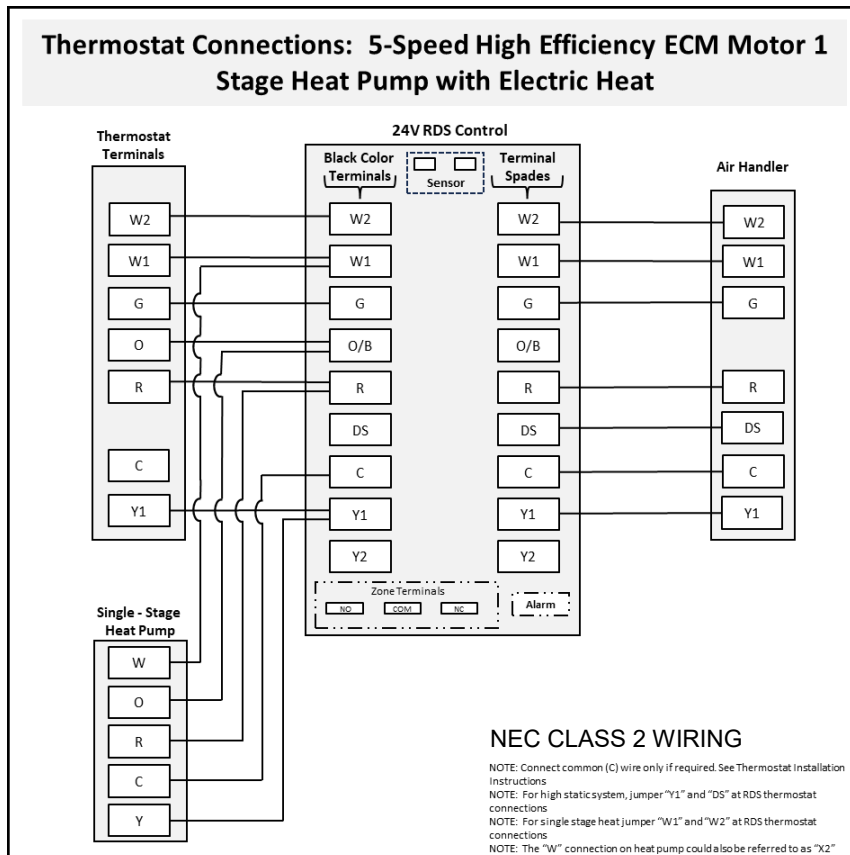
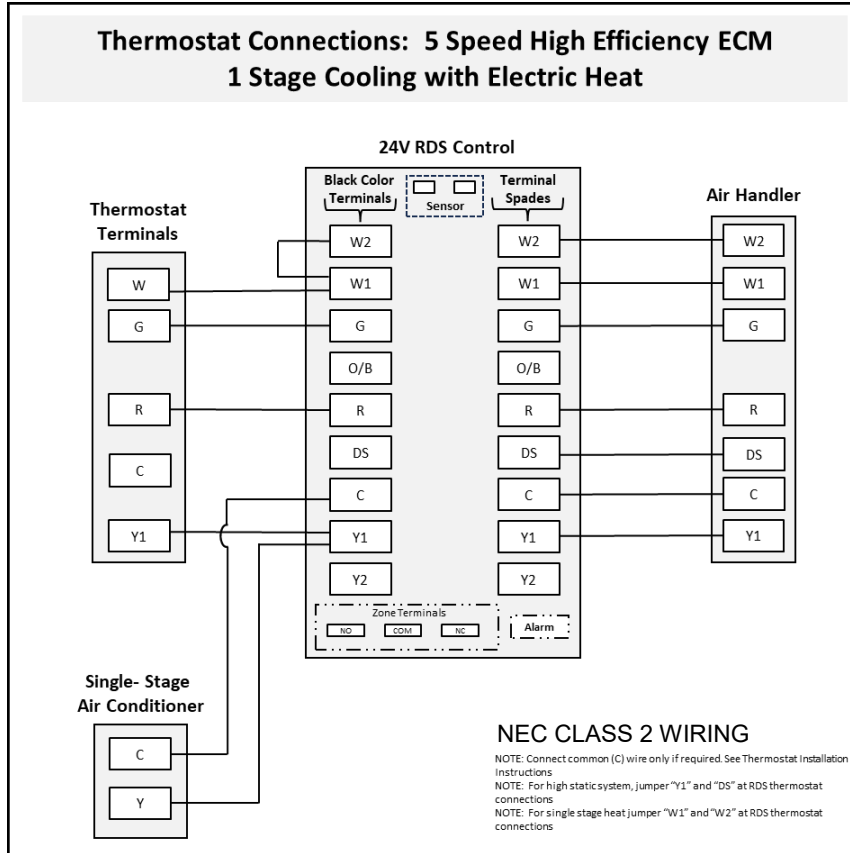
THERMOSTAT CONNECTIONS



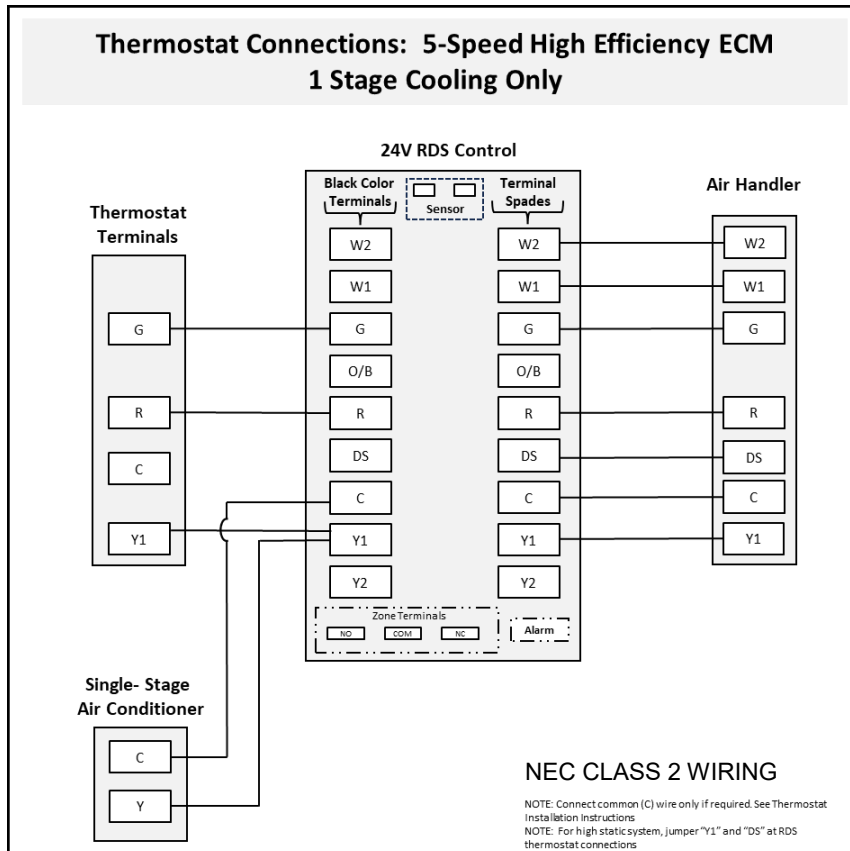
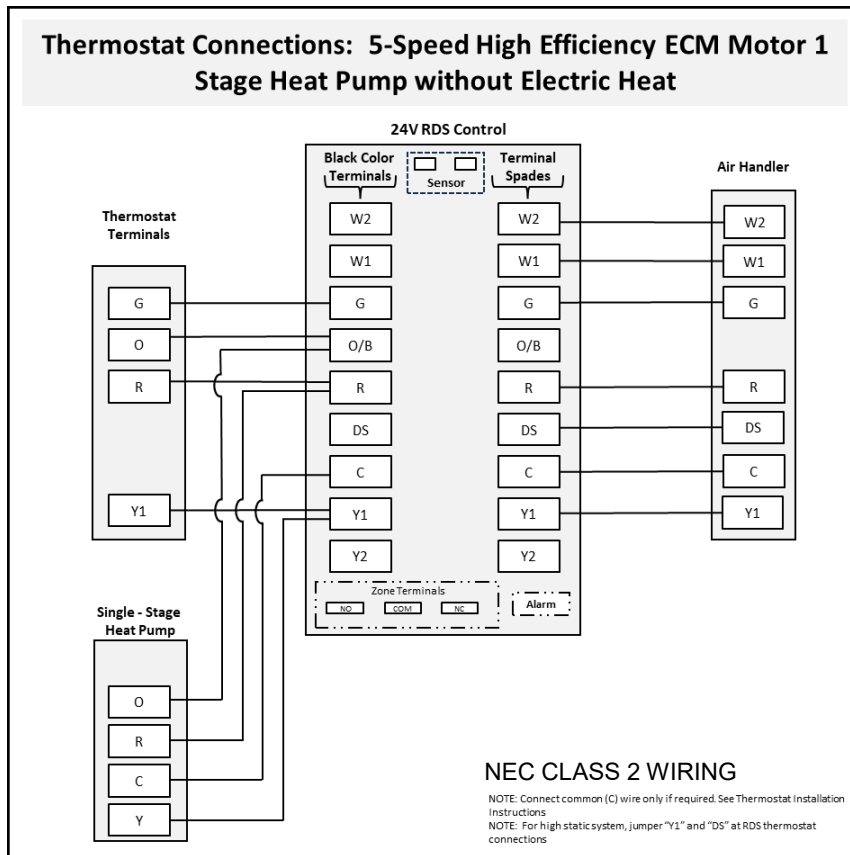
THERMOSTAT CONNECTIONS



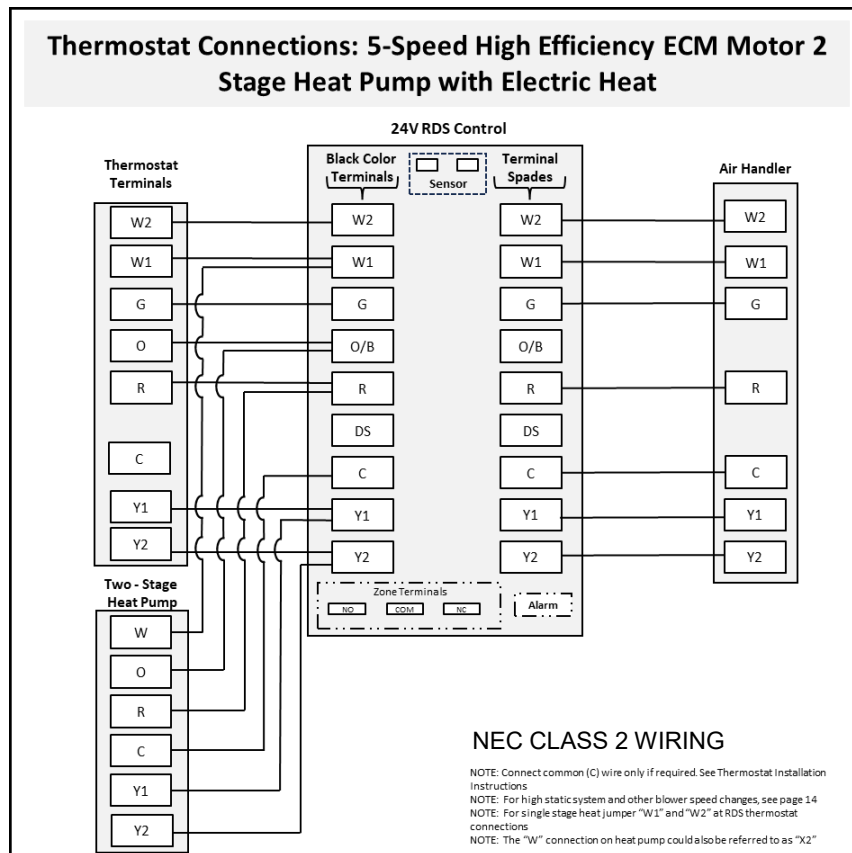
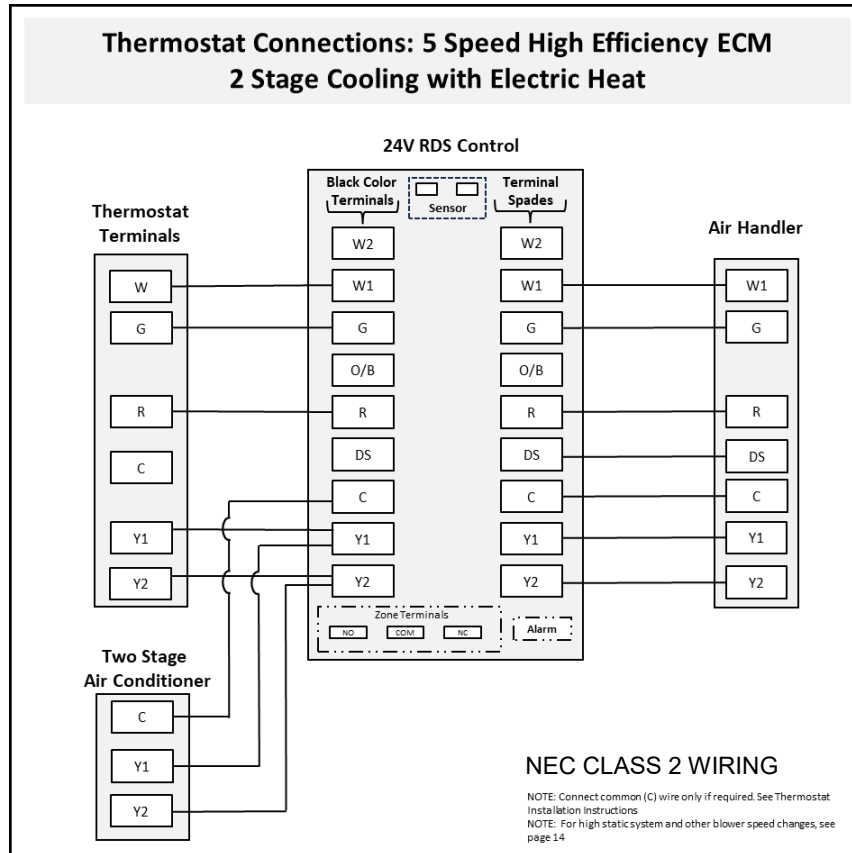
THERMOSTAT CONNECTIONS



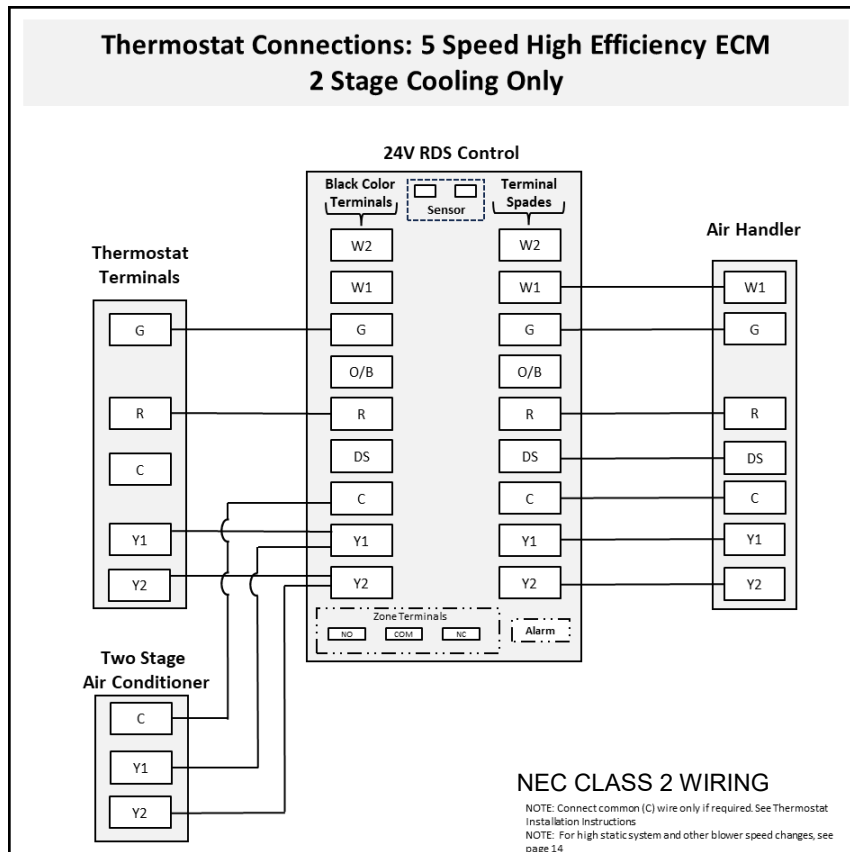
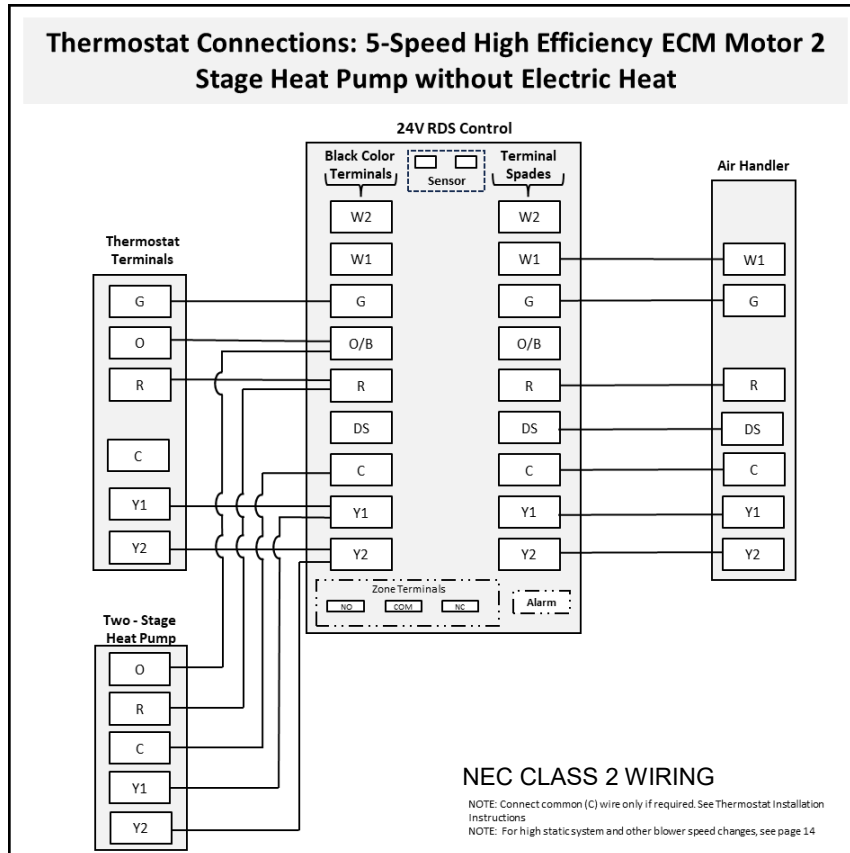
THERMOSTAT CONNECTIONS



THERMOSTAT CONNECTIONS



THERMOSTAT CONNECTIONS



BLOWER PERFORMANCE DATA

3-speed PSC Motor:

- All data is given while air handler is operating with a dry coil and air filter installed.
- Speeds marked ***bold with asterisk** are the factory speed settings for both heating and cooling.
- Heating speeds should not be reduced below factory setting.
- Different speeds can be set for cooling mode; see installation instructions for changing cooling speeds
- For downflow operation, use the next highest speed setting available. If set to high speed from the factory, use high speed for downflow.

208/240 Volt 3-Speed PSC Motor

Size	Speed	Airflow (CFM) vs. External Static Pressure (inches W.C.)				
		0.10	0.20	0.30	0.40	0.50
18	Low	505	499	487	434	397
	Med	653	634	625	600	512
	*High	891	853	812	778	733
24	Low	663	624	583	578	562
	Med	902	864	822	792	744
	*High	1159	1097	1031	960	893
25	*Low	867	839	803	780	733
	Med	1044	1015	991	941	889
	High	1260	1234	1200	1149	1098
30	Low	867	839	803	780	733
	*Med	1044	1015	991	941	889
	High	1260	1234	1200	1149	1098
31	*Low	1143	1112	1081	1047	1015
	Med	1268	1233	1186	1165	1133
	High	1415	1390	1352	1314	1260
36	Low	1143	1112	1081	1047	1015
	*Med	1268	1233	1186	1165	1133
	High	1415	1390	1352	1314	1260
37	*Low	1318	1299	1270	1210	1147
	Med	1444	1409	1374	1294	1220
	High	1712	1645	1544	1453	1328
42	Low	1318	1299	1270	1210	1147
	*Med	1444	1409	1374	1294	1220
	High	1712	1645	1544	1453	1328
48	*Low	1764	1709	1652	1563	1418
	Med	1984	1884	1780	1683	1509
	High	2031	1959	1832	1725	1617
60	Low	1764	1709	1652	1563	1418
	Med	1984	1884	1780	1683	1509
	*High	2031	1959	1832	1725	1617

120 Volt 3-Speed PSC Motor

Size	Speed	Airflow (CFM) vs. External Static Pressure (inches W.C.)				
		0.10	0.20	0.30	0.40	0.50
18	Low	431	424	425	403	385
	*Med	645	645	645	641	597
	High	804	804	804	793	765
24	Low	530	525	519	507	483
	*Med	925	915	875	823	736
	High	1189	1110	1016	917	826
25	*Low	998	956	905	844	770
	Med	1045	1004	962	871	785
	High	1089	1036	980	905	826
30	Low	998	956	905	844	770
	*Med	1045	1004	962	871	785
	High	1089	1036	980	905	826
31	*Low	945	930	912	869	793
	Med	1150	1145	1123	1166	1004
	High	1291	1291	1285	1277	1200
36	Low	945	930	912	869	793
	*Med	1150	1145	1123	1166	1004
	High	1291	1291	1285	1277	1200
42	*Low	1393	1378	1366	1246	1167
	Med	1603	1592	1575	1540	1443
	High	1811	1811	1805	1744	1674
48	Low	1393	1378	1366	1246	1167
	*Med	1603	1592	1575	1540	1443
	High	1811	1811	1805	1744	1674
60	Low	1583	1583	1583	1567	1551
	*Med	1972	1972	1968	1882	1819
	High	2169	2146	2096	2004	1908

BLOWER PERFORMANCE DATA

5-speed High Efficiency 120 Volt ECM Motor

- All data is given while air handler is operating with a dry coil.
- Different speeds can be set for cooling mode; see installation instructions for changing cooling speeds.
- Speeds marked ***bold with asterisk** are the factory speed settings for both heating and cooling.
- For downflow operation, use speed tap 5.

		Airflow (CFM) vs. External Static Pressure (inches W.C.)					
Size	Tap	0.10	0.20	0.30	0.40	0.50	0.60
18	1	529	492	429	367	328	289
	2	603	563	526	469	417	380
	*3	757	725	701	668	639	586
	4	806	777	746	720	692	661
	5	849	826	798	768	745	720
24	1	613	575	538	487	432	395
	2	769	737	711	678	648	594
	*3	955	926	899	871	842	814
	4	989	962	938	912	891	865
	5	1046	1024	996	971	945	919
25	1	687	633	573	482	424	373
	2	830	794	757	708	636	570
	*3	971	948	913	882	840	802
	4	1012	988	960	922	889	849
	5	1057	1040	1011	979	943	909
30	1	765	720	667	602	521	474
	2	971	950	913	879	836	797
	*3	1163	1141	1116	1090	1054	1025
	4	1203	1189	1168	1139	1112	1078
	5	1222	1202	1188	1161	1128	1102
31	1	853	793	724	658	525	475
	2	1047	999	948	898	840	785
	*3	1230	1185	1142	1104	1054	1007
	4	1268	1231	1189	1147	1106	1053
	5	1316	1273	1237	1196	1152	1108

		Airflow (CFM) vs. External Static Pressure (inches W.C.)					
Size	Tap	0.10	0.20	0.30	0.40	0.50	0.60
36	1	835	798	761	710	629	569
	2	1158	1137	1114	1088	1054	1024
	*3	1354	1327	1310	1290	1270	1239
	4	1418	1389	1369	1351	1327	1304
	5	1429	1412	1395	1379	1358	1330
37	1	908	851	794	730	632	535
	2	1232	1186	1142	1104	1054	1005
	*3	1432	1389	1346	1307	1272	1228
	4	1468	1426	1388	1350	1311	1275
	5	1504	1474	1438	1401	1363	1323
42	1	961	914	857	794	744	611
	2	1417	1377	1339	1299	1267	1223
	*3	1613	1574	1543	1508	1482	1447
	4	1669	1634	1600	1564	1530	1504
	5	1694	1665	1637	1603	1570	1537
48	1	1169	1106	1008	930	859	799
	2	1658	1615	1575	1532	1477	1409
	*3	1830	1792	1754	1737	1682	1622
	4	1863	1844	1809	1778	1740	1684
	5	1895	1855	1836	1805	1772	1714
60	1	1317	1298	1239	1162	1049	972
	2	1809	1752	1706	1707	1671	1619
	*3	1905	1851	1822	1784	1795	1756
	4	2013	1956	1908	1867	1890	1867
	5	2230	2171	2119	2072	2038	2048

BLOWER PERFORMANCE DATA

5-speed High Efficiency 240 Volt ECM Motor

- All data is given while air handler is operating with a dry coil and air filter installed.
- Speeds marked ***bold with asterisk** are the factory speed settings for both heating and cooling.
- Heating speeds should not be reduced below factory setting. For unit size 18 & 24, use speed tap 5 for heating operation
- Different speeds can be set for cooling mode; see installation instructions for changing cooling speeds.
- For downflow operation, use speed tap 5.

		Airflow (CFM) vs. External Static Pressure (inches W.C.)							
Size	Tap	0.10	0.20	0.30	0.35	0.40	0.45	0.50	0.60
18	1	492	448	393	361	361	333	307	273
	2	513	471	420	414	384	357	325	318
	*3	667	641	615	605	596	577	567	560
	4	705	673	665	648	630	621	603	590
	5	721	689	673	656	639	629	612	590
24, 25	1	732	627	590	581	571	545	536	525
	2	671	634	594	578	573	546	493	480
	*3	892	859	832	828	818	797	790	775
	4	911	866	839	832	825	818	804	760
	5	924	886	846	832	825	818	797	780
30, 31	1	871	830	778	722	671	635	625	586
	2	906	859	809	779	715	689	654	635
	*3	1085	1070	1048	1036	1024	1001	989	975
	4	1125	1103	1087	1059	1047	1024	1012	983
	5	1176	1146	1114	1098	1081	1059	1047	1029
36, 37	1	882	887	826	804	766	760	755	695
	2	1082	1037	1025	1002	990	959	921	881
	*3	1270	1250	1238	1228	1214	1189	1179	1162
	4	1290	1275	1265	1246	1236	1227	1212	1172
	5	1335	1315	1301	1287	1278	1259	1240	1225
42	1	1008	907	861	832	803	772	717	671
	2	1292	1243	1202	1192	1171	1149	1127	1070
	*3	1447	1430	1404	1377	1359	1340	1322	1283
	4	1534	1502	1476	1459	1433	1416	1398	1362
	5	1559	1519	1502	1477	1460	1434	1417	1381
48	1	1585	1494	1320	1252	1210	1151	1120	1088
	2	1510	1463	1414	1389	1363	1324	1256	1228
	*3	1675	1633	1579	1556	1545	1510	1487	1451
	4	1737	1697	1655	1633	1612	1590	1568	1545
	5	1781	1731	1679	1658	1637	1615	1593	1571
60	1	1394	1342	1288	1251	1172	1109	1077	1025
	2	1722	1666	1623	1594	1564	1534	1518	1471
	*3	2083	2048	2013	1990	1972	1947	1929	1885
	4	2179	2135	2101	2079	2056	2039	2021	1937
	5	2209	2166	2122	2101	2057	2058	2047	1956

TOOLS AND PARTS NEEDED

Assemble the required tools and parts before starting installation. Read and follow the instructions provided with any tools listed here:

<i>1/4" Nut Driver</i>	<i>Tape Measure</i>
<i>Level</i>	<i>Hammer</i>
<i>Screw Driver</i>	<i>Sealant</i>
<i>Adjustable Wrench</i>	<i>UL Listed Wire Nuts</i>

Replacement Orifice (if needed; see "Metering Device")

Check local codes, check existing electrical supply, and read "Ductwork Requirements," and "Electrical Requirements," before purchasing parts.

The correct orifice size may be contained in the replacement orifice package located inside the control box of the outdoor unit. If this package does not contain the correct orifice for your air handler, you must purchase the correct orifice size.

OUTDOOR SYSTEM REQUIREMENTS

The air handler is designed to match, and must be used with, outdoor units as rated in AHRI. The indoor sections are manufactured with an interchangeable refrigerant metering device to provide optimum refrigerant control and system

performance with a variety of different capacities of outdoor units. In some cases, the AHRI rating may require that the air handler refrigerant metering device be changed to obtain rated performance.

LOCATION REQUIREMENTS

NOTE: When the unit is installed in a very humid space and used in cooling applications, excessive sweating may occur on outside of unit. To prevent excessive sweating wrap unit with 1" fiberglass insulation. All openings should be sealed to prevent air leakage that could cause condensate to form inside the cabinet.

- If installed in an unconditioned space, sealant should be applied around the electrical wires, refrigerant tubing, and condensate lines where they enter the cabinet.

- Electrical wires should be sealed on the inside where they exit the conduit opening. Sealant is required to prevent air leakage into and condensate from forming inside the air handler, control box, and on electrical controls.
- The air handler must be installed in such a way as to allow free access to the coil/filter compartment and blower/control compartment.

INSTALLATION CLEARANCES

Clearance to combustible material to be 0 inches to unit casing, and 0 inches to plenum and duct for first 36 inches.

The air handler can be installed in a closet with a false bottom to form a return air plenum or be installed with a return air plenum under the air handler.

Louvers or return air grilles are field supplied. Local codes may limit application of systems without a ducted return to single-story buildings.

- Install louvers in a closet. Use the "Minimum Filter Requirements Chart" to determine the opening size that will provide the amount of free air you will require. If using louvers or grilles, match the free area rating of the louver

or grille to the Minimum Return Air Free Area you determined to be necessary by consulting the "Minimum Filter Requirements Chart."

- If the free area is not known, assume a 25% free area for wood or a 75% free area for metal louvers or grilles.
- If the return air plenum is used, the return air grille should be immediately in front of the opening in the plenum to allow for the free flow of return air.
- When not installed in front of the opening, there must be adequate clearance around the air handler to allow for the free flow of return air.



A2L LABEL INSTALLATION


Permanently mark the serial label with the appropriate A2L (R-454B & R-32) refrigerant & metering device used. See example below.

REFRIGERANT: FACTORY CONFIGURED FOR R-454B
● **FIELD INSTALLED AS R-454B**
FIELD CONFIGURED TO
○ **R-32**


METERING DEVICE
● **TXV**
○ **PISTON**

ELECTRICAL REQUIREMENTS

**WARNING**


Electrical Shock Hazard

Electrically ground electric heater.

Connect ground wire to ground terminal marked 

Use copper wire rated for supply connection.

Correct wire gauge is shown in the chart below.

Failure to follow these instructions can result in death or electrical shock.

NOTE: Use copper conductors only.

- All field wiring must be done in accordance with National Electrical Code, applicable requirements of UL and local codes, where applicable.
- Electrical wiring, disconnect means and over-current protection are to be supplied by the installer. Refer to the air handler rating plate for maximum over-current protection, minimum circuit Ampacity, as well as operating voltage.
- The power supply must be sized and protected according to the specifications supplied on the product.
- This air handler is factory configured for 240 Volt, single phase, 60 cycles. For 208 Volt applications, see “208 Volt Conversion” in the “Make Electrical Connections” section.
- For optional electric heater applications refer to the instructions provided with the accessory for proper installation.

CONFIGURATION OPTIONS

For ease of installation, it is best to make any necessary coil configuration changes before setting air handler in place.

- Vertical models only contain 1 drain pan.
- Multi-Position models contain 2 drain pans.

Vertical Installations

Upflow:

The air handler must be supported on the bottom only and set on solid floor or field supplied supporting frame. Securely attach the air handler to the floor or supporting frame.

Downflow:

Downflow accessory kit is available. Use downflow conversion instructions included with kit.

Horizontal Installations

Horizontal installations can be left-hand or right-hand air supply. Adequate support must be provided to ensure cabinet integrity. Units mounted horizontal should be mounted with a slight angle toward the drain connections (see Figure 6) so that the drain pan will empty completely without water standing in the pan.

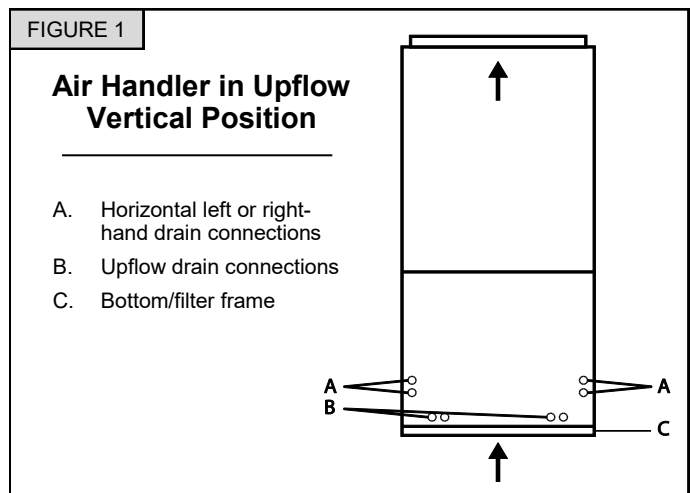
Ensure that there is adequate room to remove service and access panels if installing in the horizontal position.

IMPORTANT:

- This coil is provided with a secondary drain that should be trapped and piped to a location that will give the

occupant a visual warning that the primary drain is clogged. See “Install Condensate Drain.”

- When an evaporator coil is installed in an attic or above a finished ceiling, an auxiliary drain pan should be provided under the air handler as specified by most local building codes, and must have a larger footprint than the air handler.
- Extend suction line insulation into the coil cabinet by 2” to prevent moisture from dripping onto the insulation (the rubber grommet may need to be removed).



CONFIGURATION OPTIONS (CONT.)

Conversion from Vertical to Horizontal

An upflow only air handler may be converted to horizontal air discharge by installing a horizontal drain pan kit (see accessories). An upflow/horizontal air handler may be converted from horizontal left-hand discharge to horizontal right-hand discharge without additional parts.

Suspended Cabinet Installation

NOTE: Air handler must be positioned with one side parallel to the floor when in the horizontal position, with a 1/2" pitch towards drain. The suspending means must be field fabricated, and should consist of a minimum of two "cradles" made by attaching two 3/8" all thread rods to a length 1-5/8" x 7/8" unistrut. Cradles should not interfere with panel removal, drain connections, or refrigerant connections.

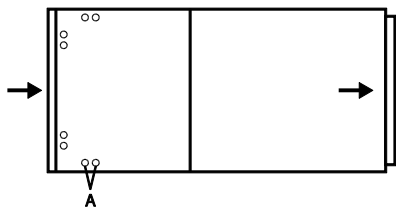
DRAIN PAN CONNECTIONS

FIGURE 2

Air Handler in the Horizontal Position

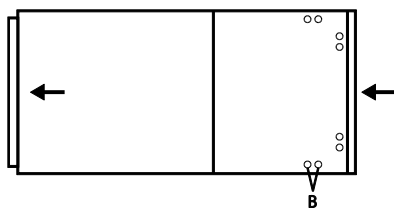
Horizontal Right

Requires Drain Pan Location Change



Horizontal Left

Factory Ready (on multi-position models)



Horizontal installations can be either "Right" or "Left."

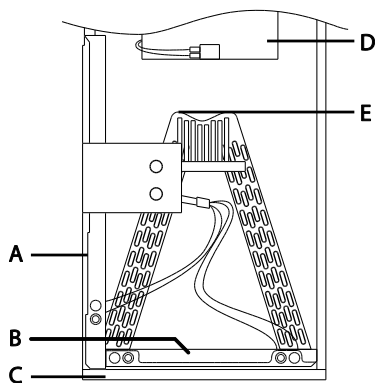
For horizontal right installations, a drain pan location change is required. Use drain connections "A" (Figure 2). For horizontal left installations, use drain connections marked "B" (Figure 2).

Follow these steps to modify drain pan for horizontal right configuration.

1. Remove and set aside blower and front access panels.
2. Remove the coil support bracket.
3. Carefully remove coil assembly, bottom drain pan and side drain pan as one assembly from the air handler. **Caution:** Take care when removing coil assembly from unit. Installation in this configuration may cause the coil to tip into unit once clear of the cabinet. Support the coil when removing.
4. Move side drain pan to the opposite side.
5. Install modified coil assembly back into air handler in the same orientation as before.
6. Install the coil support bracket on the opposite side of the air handler.
7. Knockout required panels for drain line connections.
8. Replace the blower and coil access doors.

FIGURE 3

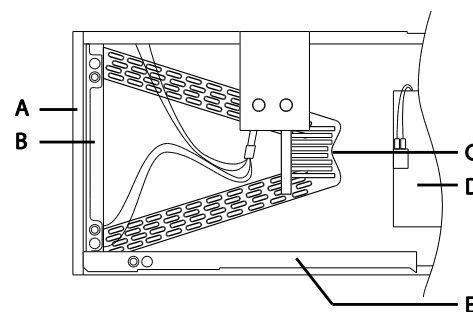
Front View of Air Handler without Front Access Panel



- | | |
|-----------------------|------------|
| A. Side Drain Pan | D. Blower |
| B. Bottom Drain Pan | E. Top Cap |
| C. Filter Access Door | |

FIGURE 4

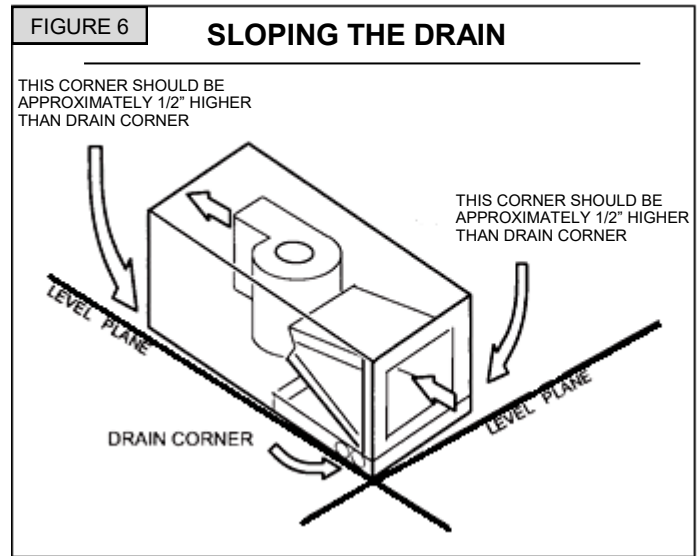
Front View of Air Handler in Horizontal Position without Front Access Panel After Conversion



- | | |
|-----------------------|-------------------|
| A. Filter Access Door | D. Blower |
| B. Bottom Drain Pan | E. Side Drain Pan |
| C. Top Cap | |

SLOPING THE DRAIN

Make sure the unit is sloped approximately 1/2" (similar to the slope shown in Figure 6) to ensure proper condensate drainage. **NOTE:** Sloping over 5/8" may cause blow off into the auxiliary drain hole in high static situations.



INSTALL CONDENSATE DRAIN

The air handler is provided with 3/4" NPT condensate drain connections.

A field fabricated secondary drain pan, with a drain pipe to the outside of the building, is required in all installations over a finished living space or in any area that may be damaged by overflow from the main drain pan. In some localities, local codes require a secondary drain pan for any horizontal installations. The secondary drain pan must have a larger footprint than the air handler.

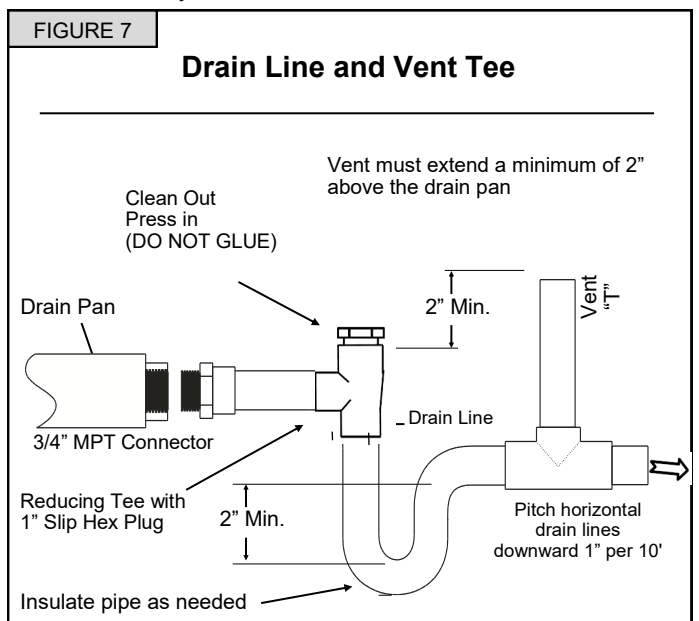
1. Remove the appropriate panel knockouts for drains. See "Drain Pan Connections" section. You may need to remove the indoor coil assembly from the cabinet.
2. Determine the drain connections to be used and note the difference between the primary (green) and secondary (red) openings. Drain plugs are provided for all openings; remove and discard the appropriate plugs with 1/2" drive ratchet and verify that remaining plugs are tight (2.5 ft-lbs). Attach drain line to pan with 3/4" male pipe thread PVC fittings. Hand tight is adequate – do not over tighten & do not reduce drain line size.
3. Secondary drain connections should be connected to a separate drainage system. Run this drain to a place in compliance with local installation codes where it will be noticed when unit is operational. Condensate flowing from the secondary drain indicates a plugged primary drain.
4. Install a 2" trap in the primary drain line as close to the unit as practical. Make sure the top of the trap is below the connection to the drain pan to allow complete drainage of the pan. **NOTE:** Horizontal runs must also have an anti-siphon air vent (standpipe) installed ahead of the horizontal run. See Figure 7. An extremely long horizontal run may require an oversized drain line to eliminate air trapping. **NOTE:** Do not operate air handler without a drain trap. The condensate drain is on the negative pressure side of the blower; therefore, air being pulled through the condensate line will prevent positive drainage without a proper trap.

5. Route the drain line to the outside or to an appropriate drain. Drain lines must be installed so they do not block service access to the front of the air handler. A 24" clearance is required for filter, coil, or blower removal and service access. **NOTE:** Check local codes before connecting the drain line to an existing drainage system.

6. Insulate the drain lines where sweating could cause water damage.

Upon completion of installation, it is the responsibility of the installer to ensure the drain pan(s) is capturing all condensate, and all condensate is draining properly and not getting into duct/system.

1. Pour several quarts of water into drain pan, enough to fill drain trap and line.
2. Check to make sure the drain pan is draining completely, no leaks are found in drain line fittings, and water is draining from the end of the primary drain pan.
3. Correct any leaks found.



DUCTWORK REQUIREMENTS

- Install the conditioned air plenum, ducts and air filters (not provided) in accordance with NFPA 90B Standard for the Installation of Warm Air Heating and Air-Conditioning Systems (latest edition).
- The air handler is provided with flanges for the connection of the plenum and ducts.
- The air handler is equipped with flanges that can form a filter rack for the installation of the air filter, or the filter may be installed as part of the return air duct system.
- Air filters must be listed as Class 2 furnace air filters.
- Supply and return ductwork must be adequately sized to meet the system's air requirements and static pressure capabilities. Ductwork should be insulated with a minimum of 1" thick insulation with a vapor barrier in conditioned areas and 2" minimum in unconditioned areas.
- Supply plenum should be the same size as the flanged opening provided around the blower outlet and should extend ideally at least 3 ft. from the air handler before turning or branching off plenum into duct runs. The plenum forms an extension of the blower housing and minimizes air expansion losses from the blower.

INSTALL DUCTWORK

IMPORTANT:

- Install ductwork in accordance with NFPA 90B and any local codes.
- Connect supply air duct to the flange on top of the air handler. If an isolation connector is used, it must be nonflammable.

- A return air duct system is recommended. If the unit is installed in a confined space or closet, a return connection must be run to a location outside the cabinet.

METERING DEVICE

Thermal Expansion Valve (TXV)

Factory Installed Expansion Valves: Sensing bulbs are factory installed and clamped to the suction line. If necessary, the bulb can be installed on a vertical suction line. In this instance, the bulb must be placed before any trap, with the bulb's capillary tube facing upward.

Pistons

IMPORTANT: For optimum performance, the piston

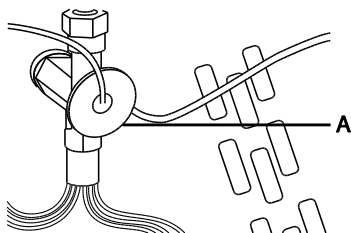
should be sized to match the recommendation from the outdoor unit manufacturer. Consult the outdoor unit information to determine whether the indoor unit has the correct orifice size.

When changing pistons, use the following procedure:

1. Loosen the hex nut located on liquid line and separate from distributor assembly.
2. Remove the existing piston from inside the distributor assembly.
3. Insert the desired piston into the distributor assembly.
4. Inspect Teflon O-Ring and replace if damaged. Ensure Teflon O-Ring is in place.
5. Re-install hex nut to body and torque to 10 ft-lbs.

FIGURE 8

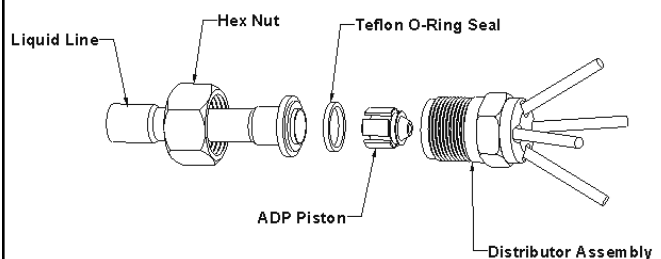
Thermal Expansion Valve (Letter A)



NOTE: Some models are equipped with thermo expansion valve and do not require any orifice change.

FIGURE 9

Side View of Piston Orifice



REFRIGERANT LINE INSTALLATION

Refrigerant lines must be connected by a licensed, EPA certified refrigerant technician in accordance with established procedures.

IMPORTANT:

- Connecting refrigerant lines must be clean, dehydrated, refrigerant-grade copper lines. Air handler coils should be installed only with specified line sizes for approved system combinations.
- Use care with the refrigerant lines during the installation process. Sharp bends or possible kinking in the lines will cause a restriction.
- Do not remove the caps from the lines or system connection points until connections are ready to be completed.

1. Route the suction and liquid lines from the fittings on the indoor coil to the fittings on the outdoor unit. Run the lines in a direct path, avoiding unnecessary turns and bends.
2. Ensure that the suction line is insulated over the entire exposed length and that both suction and liquid lines are not in direct contact with floors, walls, ductwork, floor joists, or other piping.

3. Connect the suction and liquid line to the evaporator coil.
4. To avoid damaging the rubber grommets in the cabinet while brazing, slide the rubber grommets over the refrigerant lines until they are away from the heat source.
5. Braze with an alloy of silver or copper and phosphorus with a melting point above 1,100°F. **NOTE:** Do not use soft solder.
6. Reinstall the rubber grommets after brazing is finished.
7. Make sure the outdoor air conditioning unit has been put in place according to the Installation Instructions and is connected to the refrigerant lines.

ADP recommends installing a filter drier and sight glass in the liquid line. While brazing, purge the system with Nitrogen to prevent contamination. For A2L refrigerant (R-454B & R-32), ADP recommends reattaching and insulating the TXV sensing bulb at a 10 to 2 o'clock position on the suction line, inside the coil housing. Evacuate the system to 500 microns to ensure proper air and moisture removal (**Note: Deep evacuation or triple evacuation method recommended**). Open the suction service valve slowly and allow the refrigerant to bleed into the system before opening the liquid service valve.

REFRIGERANT CHARGING INSTRUCTIONS

When charging in cooling mode, the outdoor temperature should be 60°F or higher. To allow the pressures to stabilize, operate the system a minimum of 15 minutes between adjustments. When adjusting charge to systems with micro-channel outdoor coils, make small (1 ounce or less) adjustments as these systems are very sensitive to refrigerant charge.

TXV Charging^{2, 3, 4} – Use the charging method recommended by the outdoor unit instructions. Alternatively, ADP recommends charging to 12°F sub-cooling for AC units and 10°F sub-cooling for heat pump units. In addition, if equipped with an adjustable valve, adjust to 10°F superheat.

Fixed Orifice Charging^{2, 3, 4} – Use the superheat recommended by the outdoor unit instructions.

For heat pump units initially charged in the cooling mode, final adjustments to charge in the heating mode are acceptable if necessary. Some heat pump units require charging in the heating mode. In this case, refer to the outdoor instructions for

recommended charging procedures.

If the system is undercharged after the initial charge, add refrigerant until the sight glass is clear and recommended pressures, temperatures, sub-cooling and superheat can be obtained. If the system is overcharged after the initial charge, recover refrigerant until recommended pressures, temperatures, sub-cooling and superheat can be obtained.

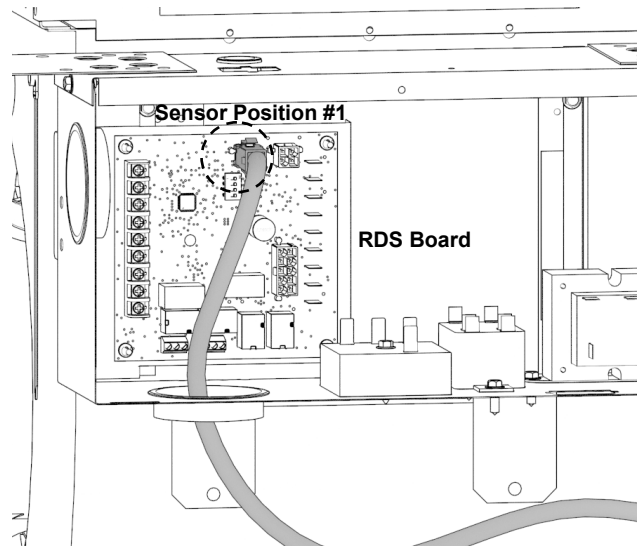
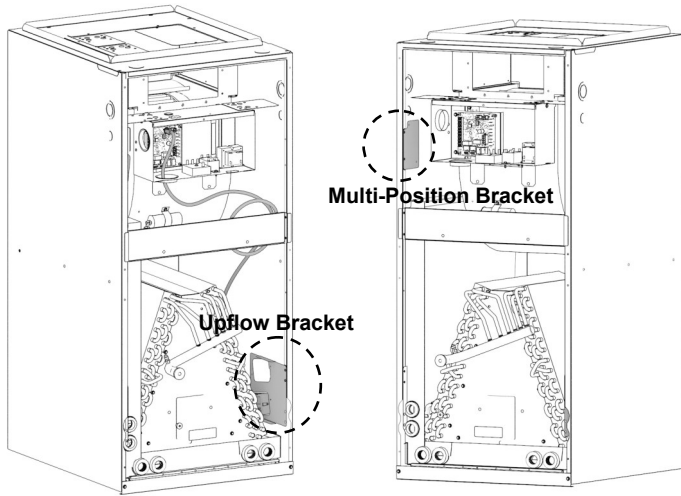
Notes:

1. If any problems or questions regarding charge occur, contact customer service.
2. OEM charging methods vary depending on design and application. Verify all recommended pressures, temperatures, sub-cooling and superheat settings result in the proper charge.
3. ADP coils may require charge compensation due to size variation versus the OEM coil.
4. Temperatures are $\pm 2^\circ\text{F}$ unless otherwise recommended.

Minimum airflow & charge limit for the A2L refrigerant installation

Size	Minimum Air flow Q_{\min} (CFM)	Maximum allowed refrigerant charge in an installation (lbs)	
		R-454B	R-32
18	431	15.9	16.5
24	530	19.6	20.2
25	671	24.8	25.6
30	867	30.0	30.0
31	906	30.0	30.0
36	945	30.0	30.0
37	1008	30.0	30.0
42	1292	30.0	30.0
48	1393	30.0	30.0
60	1583	30.0	30.0

REFRIGERANT DETECTION SYSTEM REQUIREMENTS

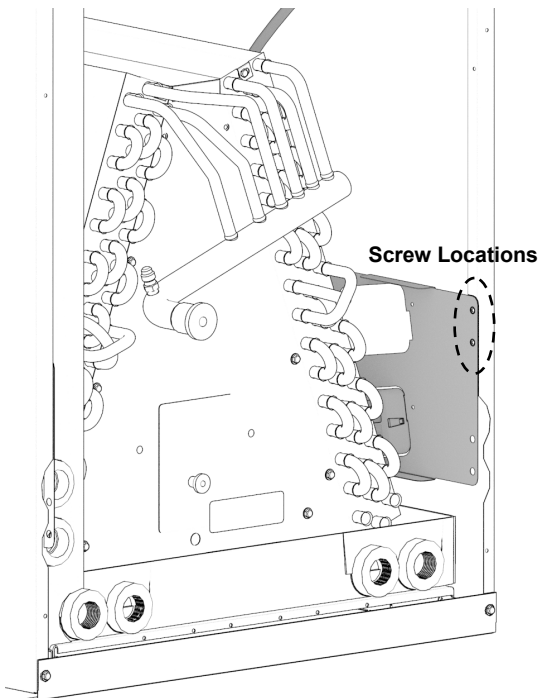


NOTE: F-series air handler will be factory configured for the up flow application with the A2L (R-454B & R-32) refrigerant sensor positioned at the bottom of the air handler as shown.

NOTE: Bracket near the control panel (top-left) must be used for multi-position application (horizontal left or horizontal right). This bracket will be called multi-position bracket from here onwards.

Upflow Configuration

1. Ensure the upflow sensor bracket is always assembled to the air handler with the top two holes on the bracket as shown

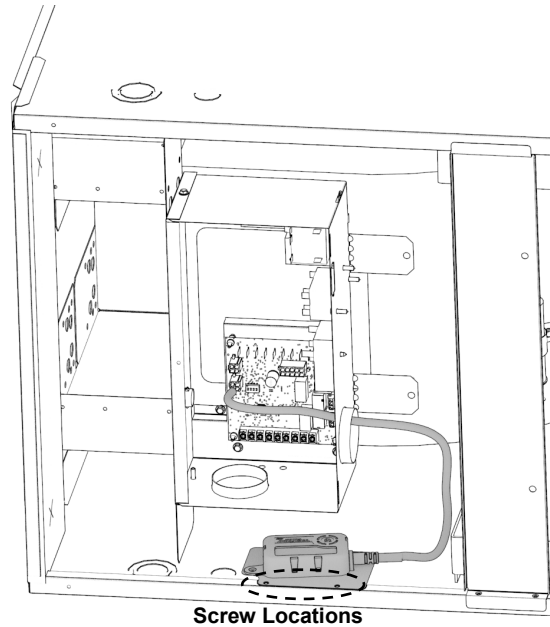


2. Confirm that the sensor is always plugged to the "Sensor #1" port on the refrigerant detection system (RDS) control board

Multi-position Configurations

Horizontal Left

1. Remove the sensor from its original position
2. Remove the multi-position bracket and attached the sensor to the multi-position bracket.
3. Reinstall the multi-position bracket and sensor to the air

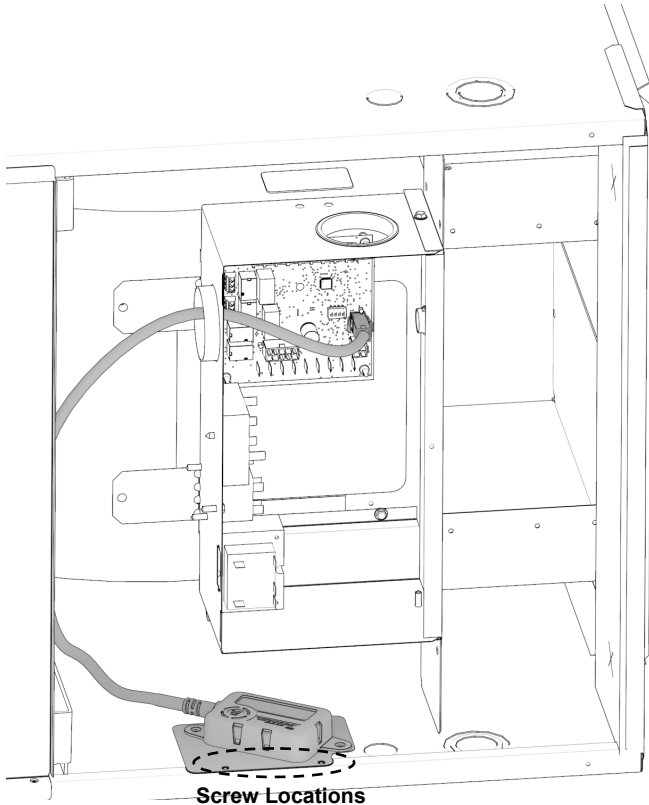


4. handler with the screws as shown
5. Ensure that the sensor cable and the sensing element is oriented as shown.
5. Plug the sensor into the "Sensor #1" Port on the RDS Board

REFRIGERANT DETECTION SYSTEM REQUIREMENTS

Horizontal Right

1. Remove the sensor from its original position
2. Remove the multi-position bracket and assemble the sensor to the bracket
3. Assemble the multi-position sensor bracket to the air handler with screws as shown.

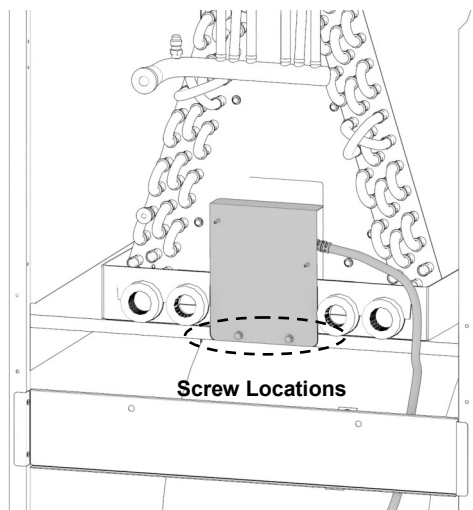


Screw Locations

4. Upflow sensor bracket must be removed to change the drain pan location for horizontal right configuration.
5. Ensure that the sensor cable and sensing element is oriented as shown in the picture.
6. Plug the sensor into the "Sensor #1" Port on the RDS Board

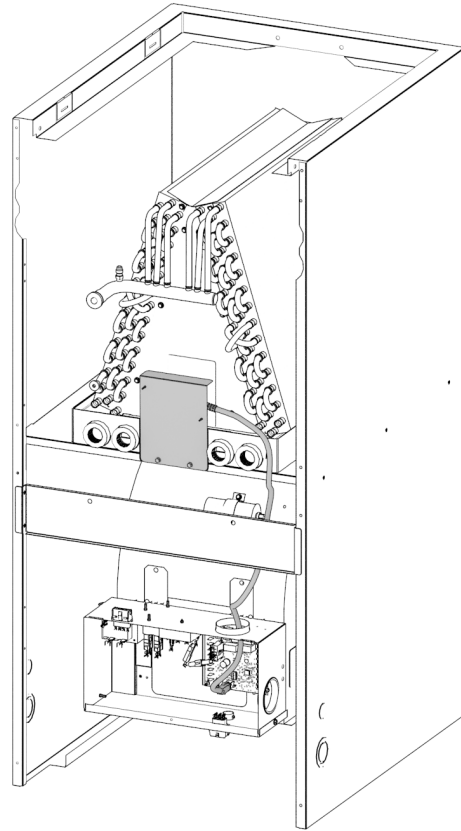
Downflow

1. Remove the sensor from its original location.
2. Remove the multi-position and the upflow sensor bracket from the unit.



Screw Locations

3. Rotate the air handler as per the downflow kit instructions.
4. Assemble the sensor to the sensor bracket provided with the downflow kit.
5. Attach the sensor bracket to the coil support bracket using a self tapping screw as shown.



6. Ensure that the sensor is mounted so that the sensing element is facing the coil and it is not blocked by the distributor tubes or the TXV.
7. Ensure that the sensor cable and the sensing element is oriented as shown in the picture.
8. Plug the sensor into the "Sensor #1" Port on the RDS Board.



IMPORTANT



In downflow applications, where the coil is assembled on top of an air handler/ furnace, there must be an airtight seal between the coil cabinet and the air handler/ furnace. Sealants must be applied on the sheet metal cutouts for the liquid & suction line tubing to make an airtight seal. Use fiberglass sealing strips, caulking, or equivalent sealing method between the coil and the air handler cabinet to ensure an airtight seal.



IMPORTANT



For downflow application, there shall be no joints (brazed or mechanical) on the liquid & suction line inside the air handler/ modular blower/furnace cabinetry.

DIP SWITCH SETTINGS

Adjust the DIP switch settings to the sensor configuration. Failure to do so will cause faults on power-up.

Each DIP switch corresponds to a sensor position (i.e., DIP switch 1 to sensor 1; DIP switch 2 to sensor 2). The default factory switch positions are set to OFF. The RDSC software reads the OFF position as active. Setting the switch to ON disables the sensor position. The following table shows all possible configurations. Configurations other than the ones shown below will cause a servicing fault.

Configurations other than the ones shown below in table 1 will cause a servicing fault.

Configuration	DIP1	DIP2
One (1) sensor; in connector 1	OFF	ON
Two sensors; in connector 1, 2.	OFF	OFF

TABLE 1: DIP SWITCH SETTINGS

DIAGNOSTIC CODES

The RDSC is equipped with a light emitting diode (LED) found within its enclosure. The LED signals the state of the RDSC. See Table 2 and Table 3 to review the flash codes.

State	LED Flash Code	Action
Initializing	Flashing green	N/A
Monitoring	Solid green with blue flash	N/A
Mitigating (Leak Detected)	Flashing blue	Check coil tubes for leak. Repair the issue and restart the equipment.
Fault / Service	Solid blue, interrupted by issue code	Refer to RED LED DIAGNOSTIC CODES / TROUBLESHOOTING.

TABLE 2: LED FLASH CODES

Red Flash	Per Sensor	Issue	Action
1	Yes	Sensor Fault	Replace the Sensor
2	Yes	N/A	N/A
3	Yes	Incompatible sensor type	Replace with compatible sensor
4	Yes	Sensor communication issue	Check sensor connection. Ensure connection is clean and tight.
5	No	Bad relay/ bad wiring	Check for 24VAC power connection to the R terminal inputs on the RDSC. R-inputs must be energized for the RDSC to function.
6	No	Invalid configuration of sensor count	Verify the Dip switch setting is correct and matches the number of sensors being used.

TABLE 3: RED LED DIAGNOSTIC CODES / TROUBLESHOOTING

TEST BUTTON FUNCTIONALITY

The RDSC is equipped with a Test/Reset button. The Test button can be used to complete several functions, depending on the mode of operation of the RDSC. Table 4 lists the functions of the Test button during each mode of operation.

Mode of Operation	Short Press the Test Button to...
Normal	Trigger a leak detection response. Verify all equipment is wired correctly in to the RDSC (after installation).
Leak Detected	Reset the RDSC to a normal mode of operation after a previous leak has been detected and purged from the HVAC system.
Fault	Reset the RDSC after troubleshooting and resolving a fault condition. If the fault is not resolved, the RDSC will enter the Fault mode again.

TABLE 4: TEST BUTTON FUNCTIONALITY

ADDITIONAL FUNCTIONS OF THE TEST BUTTON

Table 5 lists the additional functions of the Test Button while the RDSC is functioning within the states of Initializing, Monitoring, Mitigating, Servicing and Fault.

STATE	PRESS	ACTION
Initializing	Short	If sensor enumeration is complete, skip remaining pre-purge.
Initializing	Long	Reset Control Board
Monitoring	Short	Clear purge-counter if prior mitigation has occurred; test mitigation
Monitoring	Long	Reset Control Board
Mitigating	Short	If testing mitigation, end test.
Servicing	Short	Re-evaluate fault condition—if cleared return to monitoring, otherwise update indicator.
Servicing	Long	Reset Control Board
Fault	Short	Re-evaluate fault condition—if cleared return to monitoring, otherwise update indicator.
Fault	Long	Reset Control Board

TABLE 5: ADDITIONAL TEST BUTTON FUNCTIONS

THERMOSTAT COMPATIBILITY

The following types of thermostats are compatible with the RDSC:

- Thermostats equipped with non-volatile memory
- Battery-powered thermostats
- Analog thermostats
- Smart thermostats
- Late-model programmable thermostats

Note: Digital and early-generation programmable thermostats may not operate if disconnected from power. These types of thermostats may not retain the operation mode and temperature setpoints.

The following are examples that are likely to occur when home occupants are not available to adjust the thermostat setpoints:

- Heating could be lost during a cold night.
- Cooling could be lost during a hot day.
- The thermostat could reset to an incorrect temperature setpoint.

Compatibility Verification

Complete the following process to determine whether the thermostat is compatible with the RDSC.

1. Note the thermostat's current setpoint and operating mode.
2. Power cycle the breaker to the furnace.

NOTE: Wait (5) minutes before supplying power to the furnace breaker.

3. Note whether the thermostat maintained its setpoints and operating mode.
 - a. If the thermostat maintained the settings, the thermostat is compatible with the RDSC.
 - b. If the thermostat did not maintain its setpoint and/or operating mode, the thermostat is not compatible with the RDSC. Recommend a compatible thermostat.

MODES OF OPERATION

The modes of operation for the RDSC are Initializing, Normal, Leak Detected, and Fault.

Initializing

The RDSC is establishing connection with the refrigerant detection sensor and is completing an initial (5) minute purge sequence.

Normal

The HVAC system is functioning normally. The RDSC has not detected a refrigerant leak.

Leak Detected

When the RDSC detects a refrigerant leak:

1. The RDSC shuts off the (R) input (24VAC power) to the thermostat, which de-energizes the outdoor unit compressor and heat sources, such as gas and/or electric strip heat. No heating or cooling demands will be met.
2. The RDSC activates the blower (high speed). The blower purges refrigerant from the cabinet, plenum, and ductwork.

3. After the RDSC determines the refrigerant levels are below the safety threshold, the blower will continue to function for an additional seven (7) minutes.
4. After the blower sequence is complete, the HVAC system resumes normal operation.

NOTE: *The HVAC system may not maintain a cooling or heating setpoint if a significant leak exists. Any refrigerant leaks that remain unaddressed for an extended time may cause the HVAC system to shut down on low refrigerant pressure limit condition.*

Fault

When a fault is detected within the RDSC, the furnace blower engages and remains engaged at a constant output until the RDSC is replaced.

START UP TEST PROCEDURE

The RDSC is equipped with a Test/Reset button, see "Test Button Functionality" on page 10. After the RDSC has been mounted and wired, restore power to the HVAC system. The system will then run through a purge sequence for (5) minutes. After the purge sequence is complete, proceed to testing cooling demand and heating demand.

Cooling Demand

1. Prompt a cooling demand at the thermostat.
2. Press the Test button on the RDSC. The system then executes a leak detection response.
3. Observe the following sequence:
 4. The LED indicator flashes the sequence for leak detection (flashing blue).
 5. The blower powers up.
 6. The outdoor compressor powers down.
7. Press the Test button to terminate the simulated Leak De-

tection mode upon test completion.

Heating Demand

1. Prompt a heating demand at the thermostat.
2. Observe the following sequence:
 - a. The LED indicator flashes the sequence for leak detection (flashing blue).
 - b. The blower powers up.
 - c. The gas burners power down.
 - d. The outdoor compressor powers down.

The installation of the RDSC is complete after both sequences are successfully completed.

ADDITIONAL APPLICATIONS

In zoned applications, all dampers will remain open when the RDSC is in Fault or Leak Detected mode. Normal heating and cooling demands are permissible, but the blower will remain engaged until the fault condition is addressed.

Zone HVAC System

If the RDSC is installed in a zone HVAC system, the RDSC will open all zone dampers if a leak is detected.

Note: Proper wiring of the zone panel to the RDSC is required for all zone dampers to open.

After the purge sequence is complete, the zone system will resume normal operation.

For proper wiring refer to damper IOM.

External Alarm

(For applications with external alarms wired directly to the RDSC)

The RDSC triggers the external alarm system when it enters the Leak Detected mode.

For proper wiring refer to Alarm IOM.

ELECTRICAL CONNECTIONS

WARNING

Electrical Shock Hazard

Disconnect all power supplies before servicing.

Replace all parts and panels before operating.

Failure to do so can result in death or electrical shock.

Models with Electric Heat

1. Determine the number of circuits needed to supply the heater with electrical power (1 or 2 circuits). See the air handler Accessory Kit label for number of circuits and ratings.
2. Disconnect all power supplies.
3. Knock out the correct number of knockouts (1 or 2), and install UL listed wires and fittings.
4. Connect appropriate size wire to circuit breaker terminals. If circuit breakers are not provided, a terminal block is provided.
5. Connect green ground wire(s) (1 or 2) to the ground terminal(s) (1 or 2) marked "GND".
6. Install conduit-opening plugs in any unused openings.
7. Reinstall the air handler blower access panel.
8. Reconnect power.
9. Dispose of all remaining parts.

Models without Electric Heat

120V, 208/240V Installations—3 & 5 Speed Motors

1. Disconnect all power supplies.
2. Remove the air handler access panel.
3. Route the field supply wires to the air handler electrical connection box.
4. Using UL listed wire nuts; connect the field supply wires to the air handler, black-to-black and yellow-to-yellow (240V) or white to white (120V), as shown in Figure 10.
5. Connect ground wire to ground terminal marked
6. Replace the air handler access panel.
7. See "Wiring Diagram – 3-Speed Motor."

208 Volt Conversion – 3-Speed Motors Only

1. Disconnect all power supplies.
2. Remove the air handler access panel.
3. Move the 2 connected black transformer leads from the 240 Volt terminals on the transformer to the 208 Volt terminals on the transformer. See "Wiring Diagram—3-Speed Motor."

FIGURE 10

Field and Air Handler Wire Connections

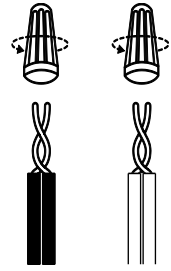


FIGURE 11

Field and Air Handler Wire Connections

- A. Ground terminal connection
- B. Black to black connection
- C. Yellow to yellow connection

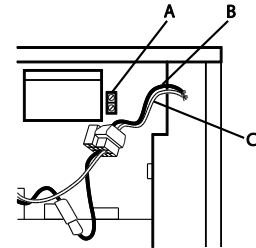
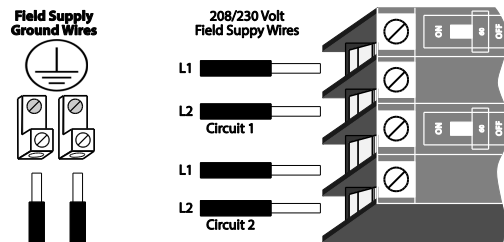


FIGURE 12

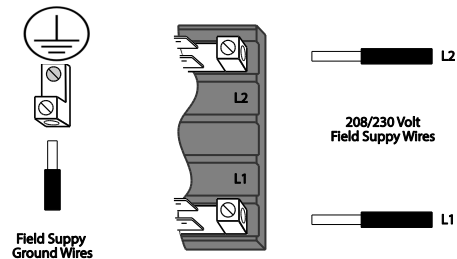
Connect to Circuit Breaker Air Handler Supply Voltage Wire Connections

NOTE: There are 2 ground terminals marked

shown in Figure 11. There may be 1, 2, or 3 ground terminals depending on the number of circuit breakers.



Connect to Terminal Block Air Handler Supply Voltage Wire Connections



AIR HANDLER CHECKS

Check Blower Operation

1. Set thermostat to FAN ON.
2. The indoor blower should come on.

Check Electric Heater (if used)

1. Set thermostat to call for auxiliary heat (approximately 5°F above ambient temperature). The indoor blower and auxiliary heat should come on together. Allow a minimum of three minutes for all sequencers to cycle on.
2. Set the thermostat so it does not call for heat. Allow up to five minutes for all sequencers to cycle off.

Check Airflow

Cooling Blower Speed:

- For proper cooling operation, the airflow through the indoor coil should be between 350 and 450 CFM per ton of cooling capacity (350 - 450 CFM per 12,000 BTU/HR) based on the rating of the outdoor unit.
- The cooling blower speed is factory configured to provide correct airflow for an outdoor unit that matches the maximum cooling capacity rating of the air handler.
- If the outdoor unit is smaller than the maximum cooling capacity rating for the air handler, the cooling blower speed may need to be changed. Refer to "Blower Performance Chart."

IMPORTANT: The cooling blower speed must be set to provide a minimum of 350 CFM airflow per ton (12,000 BTU/HR) of outdoor cooling capacity.

 WARNING 
 Electrical Shock Hazard
Disconnect all power supplies before servicing.
Replace all parts and panels before operating.
Failure to do so can result in death or electrical shock.

To change blower speed for 3-Speed Motor:

(Refer to "Wiring Diagram – 3-Speed Motor.")

1. Disconnect all power supplies.
2. Remove the air handler access panel.
3. Locate pin number 2 on the blower relay. Two black wires are connected to this terminal pin. One wire connects to pin number 5 on the blower relay; one connects to an inline splice connecting to a blue wire.
4. Remove the wire going to the 4-pin blower motor connector from the splice.
5. Connect the blower lead (Red [LO], Blue [MED], Black [HI]) onto the splice from the 4-pin blower motor connector. **NOTE:** Unused blower speeds are shipped from the factory covered with a plastic cap. Remove this cap from the new blower speed terminal and replace it over the factory set blower terminal.
6. Replace all panels.
7. Reconnect power.

To change blower speed for 5-Speed High Efficiency ECM Motor:

(Refer to "Wiring Diagram – 5-Speed High Efficiency ECM Motor.")

1. Disconnect all power supplies.
2. Remove the air handler access panel.
3. Locate low voltage terminal block on air handler.
4. Reduced airflow single stage installation (1/2 ton lower airflow):
 - a. Move motor tap 2 (BRN) to Y1.
 - b. Move motor tap 3 (YEL) to W2.
5. High static single stage installation:
 - a. Jumper terminals Y1 and DS
6. Typical 2-stage installation:
 - a. Move motor tap 3 (YEL) to Y2 terminal.
 - b. Move motor tap 2 (BRN) to Y1 terminal.
7. Reduced airflow 2-stage installation (1/2 ton lower airflow):
 - a. Move motor tap 2 (BRN) to Y2 terminal.
 - b. Move motor tap 1 (GRN) to Y1 terminal.
 - c. Move motor tap 3 (YEL) to G terminal.
 - d. **NOTE:** A call for "fan on" will provide higher CFM than normal operation.
8. High static 2-stage installation:
 - a. Move motor tap 5 (BLK) to Y2 terminal.
 - b. Move motor tap 3 (YEL) to DS terminal.
 - c. Move motor tap 2 (BRN) to Y1 terminal.
9. Replace all panels.
10. Reconnect power.

SEQUENCE OF OPERATIONS

Cooling (cooling only or heat pump)

When the thermostat calls for cooling, the circuit between R and G is completed, and the blower relay is energized. The Normally Open contacts close, causing the indoor blower motor to operate. The circuit between R and Y is also completed; this circuit closes the contractor in the outdoor fan motor. Circuit R and O energizes the reversing valve, switching it to the cooling position. (The reversing valve remains energized as long as selector switch is on the COOL position.)

Heating (electric heat only)

When the thermostat calls for heat, the circuit between R and W is completed, and the heater sequencer is energized. A time delay follows before the heating elements and the indoor blower motor comes on. Units with a second heat sequencer can be connected with the first sequencer to W on the thermostat sub base or connected to a second stage on the sub base.

Heating (heat pump)

When the thermostat calls for heat, the circuits between R-Y and R-G are completed. Circuit R-Y energizes the contactor starting the outdoor fan motor and the compressor. Circuit R-G energizes the blower relay starting the indoor blower motor. If the room temperature should continue to fall, the second stage heat room thermostat completes the circuit between R-W1. Circuit R-W1 energizes a heat sequencer. The completed circuit will energize supplemental electric heat. Units with a second heater sequencer can be connected with the first sequencer to W1 on the thermostat or connected to a second heating stage W2 on the thermostat sub base.

Emergency Heat (heating heat pump)

If selector switch on thermostat is set to the emergency heat position, the heat pump will be locked out of the heating circuit, and all heating will be electric heat (if applicable). A jumper is necessary so that the electric heat control will transfer to the first stage heat on the thermostat. This will allow the indoor blower to cycle on and off with the electric heat when the fan switch is in the AUTO position.

REFRIGERANT RECOVERY

Before carrying out work on systems containing refrigerant, it is essential that the technician is completely familiar with the equipment and all its detail. It is recommended good practice that all refrigerants are recovered safely. Prior to the task being carried out, an oil and refrigerant sample shall be taken in case analysis is required prior to re-use of recovered refrigerant. It is essential that electrical power is available before the task is commenced. Steps to ensure this are: becoming familiar with the equipment and its operation, isolating the system electrically, ensuring that before attempting the procedure that mechanical handling equipment is available, if required, for handling refrigerant cylinders, and that all personal protective equipment is available and being used correctly while the recovery process is supervised at all times by a competent person and that the recovery equipment and cylinders conform to the appropriate standards.

Additionally, pump down refrigerant system, if possible, and if a vacuum is not possible, make a manifold so that refrigerant can be removed from various parts of the system. Make sure that cylinders are situated on the scales before recovery takes place. Start the recovery machine and operate in accordance with instructions. Do not overfill cylinders (no more than 80 % volume liquid charge). Do not exceed the maximum working pressure of the cylinder, even temporarily. When the cylinders have been filled correctly and the process completed, make sure that the cylinders and the equipment are removed from site promptly and all isolation valves on the equipment are closed off. Recovered refrigerant shall not be charged into another refrigerating system unless it has been cleaned and checked.

When removing refrigerant from a system, either for servicing or decommissioning, it is recommended good practice that all refrigerants are removed safely. When transferring refrigerant into cylinders, ensure that only appropriate refrigerant recovery cylinders are employed. Ensure that the correct number of cylinders for holding the total system charge is available. All cylinders to be used are designated for the recovered refrigerant and labelled for that refrigerant (i.e. special cylinders for the recovery of refrigerant). Cylinders shall be complete with pressure-relief valve and associated shut-off valves in good working order. Empty recovery cylinders are evacuated and, if possible, cooled before recovery occurs.

The recovery equipment shall be in good working order with a set of instructions concerning the equipment that is at hand and shall be suitable for the recovery of the flammable refrigerant. If in doubt, the manufacturer should be consulted. In addition, a set of calibrated weighing scales shall be available and in good working order. Hoses shall be complete with leak-free disconnect couplings and in good condition.

The recovered refrigerant shall be processed according to local legislation in the correct recovery cylinder, and the relevant waste transfer note arranged. Do not mix refrigerants in recovery units and especially not in cylinders.

If compressors or compressor oils are to be removed, ensure that they have been evacuated to an acceptable level to make certain that flammable refrigerant does not remain within the lubricant. The compressor body shall not be heated by an open flame or other ignition sources to accelerate this process. When oil is drained from a system, it shall be carried out safely.

FLAMMABLE REFRIGERANT DETECTION

Under no circumstances shall potential sources of ignition be used in the searching for or detection of refrigerant leaks.

A halide torch (or any other detector using a naked flame) shall not be used.

The following leak detection methods are deemed acceptable for all refrigerant systems.

Electronic leak detectors may be used to detect refrigerant leaks but, in the case of FLAMMABLE REFRIGERANTS, the sensitivity may not be adequate, or may need re-calibration. (Detection equipment shall be calibrated in a refrigerant-free area.) Ensure that the detector is not a potential source of ignition and is suitable for the refrigerant used. Leak detection equipment shall be set at a percentage of the LFL of the refrigerant and shall be calibrated to the refrigerant employed, and the appropriate percentage of gas (25 % maximum) is confirmed.

Leak detection fluids are also suitable for use with most refrigerants but the use of detergents containing chlorine shall be avoided as the chlorine may react with the refrigerant and corrode the copper pipe-work.

NOTE: Examples of leak detection fluids are

- bubble method,
- fluorescent method agents.

If a leak is suspected, all naked flames shall be removed/ extinguished.

If a leakage of refrigerant is found which requires brazing, all of the refrigerant shall be recovered from the system, or isolated (by means of shut off valves) in a part of the system remote from the leak. Removal of refrigerant shall be according to removal and evacuation procedure

AIR HANDLER MAINTENANCE

At the beginning of each heating season the unit should be serviced by a qualified installer or servicing agency.

When breaking into the refrigerant circuit to make repairs – or for any other purpose – conventional procedures shall be used. However, for flammable refrigerants it is important that best practice be followed, since flammability is a consideration. Safely remove refrigerant following local and national regulations.

The refrigerant charge shall be recovered into the correct recovery cylinders if venting is not allowed by local and national codes. For appliances containing flammable refrigerants, the system shall be purged with oxygen-free nitrogen to render the appliance safe for flammable refrigerants. This process might need to be repeated several times. Compressed air or oxygen shall not be used for purging refrigerant systems.

For appliances containing flammable refrigerants, refrigerants purging shall be achieved by breaking the vacuum in the system with oxygen-free nitrogen and continuing to fill until the working pressure is achieved, then venting to atmosphere, and finally pulling down to a vacuum (optional for A2L). This process shall be repeated until no refrigerant is within the system (optional for A2L). When the final oxygen-free nitrogen charge is used, the system shall be vented down to atmospheric pressure to enable work to take place. Ensure that the outlet for the vacuum pump is not close to any potential ignition sources and that ventilation is available.

ASSITANCE OR SERVICE

If you need further assistance, you may contact us at the address below with any questions or concerns. Please include a daytime phone number in your correspondence.

Advanced Distributor Products
1995 Air Industrial Park Road
Grenada, MS 38901
www.adpnow.com

ADP AIR HANDLER LIMITED WARRANTY

Term of Warranty

Advanced Distributor Products (ADP) warrants that products sold shall be of merchantable quality, free of defects in material and workmanship, under normal use and service, for a period of five (5) years from the date of installation, **not** to exceed six (6) years from the date of manufacture subject to the terms of ADP's limited warranty.

For information on this product's warranty, including accessing complete warranty terms, registering for an extended warranty* or instructions on filing a warranty claim, please go to www.ADPwarranty.com.

** In such states or provinces where registration requirements are prohibited, failure to complete registration by the consumer does not diminish his or her warranty rights.*

Equipment Information

Please *complete information below and retain this warranty for records and future reference.*

Unit Model Number: _____

Serial Number: _____

Installing Contractor: _____

Installation Date: _____

Phone: _____





Instructions d'installation

Série F

Ventilo-convecteurs compacts Premier

Électricité ou pas de chauffage, avec moteur ECM 5-Speed haute efficacité disponible

TABLE DES MATIÈRES	PAGE	PAGE	
Sécurité du ventilo-convecteur.....	1	Installation des gaines.....	21
Généralités	5	Dispositif de mesure.....	21
Inspecter l'expédition.....	5	Installation de la conduite de réfrigérant	22
Schéma de câblage	6	Instructions de chargement du réfrigérant.....	22
Connexions du thermostat.....	8	Exigences relatives au système de détection du réfrigérant (SDR).....	23
Rendement du ventilateur.....	14	Réglage des microcontacts.....	25
Outils et pièces	17	Fonctions du bouton Test.....	25
Exigences du Système Extérieur.....	17	Raccordements électriques.....	28
Exigences relatives à l'emplacement.....	17	Vérifications du ventilo-convecteur.....	29
Dégagements d'installation.....	17	Séquence de fonctionnement	30
Installation de l'étiquette	17	Instructions de récupération du réfrigérant.....	30
Exigences électriques.....	18	Détection du réfrigérant inflammable	31
Options de Configuration	18	Entretien du ventilo-convecteur.....	31
Connexions de drainage.....	19	Assistance ou service	31
Inclinaison du drain.....	20	Garantie	32
Installation du drain de condensat	20		
Exigences en matière de conduits.....	21		

SÉCURITÉ DU VENTILO-CONVECTEUR

CONSIDÉRATIONS DE SÉCURITÉ

Votre sécurité et celle des autres sont très importantes.

Nous avons fourni de nombreux messages de sécurité importants dans ce manuel et sur votre appareil. Toujours lire et respecter tous les messages de sécurité.

Il s'agit du symbole d'alerte de sécurité.

Ce symbole vous avertit des dangers potentiels qui peuvent vous tuer ou vous blesser, ainsi que d'autres personnes.

Tous les messages de sécurité suivent le symbole d'alerte de sécurité et le mot de signal. Ces mots signifient ce qui suit :



DANGER: Vous pouvez être tué ou gravement blessé si vous ne suivez pas immédiatement les instructions.

AVERTISSEMENT: Indiquer une situation potentiellement dangereuse qui,

si elle n'est pas évitée, peut entraîner la **mort ou des blessures graves.**

ATTENTION: Indique une situation potentiellement dangereuse qui, si elle n'est pas évitée, peut entraîner des blessures mineures ou modérées. Des précautions peuvent également être prises pour prévenir les pratiques dangereuses.

AVIS: Indique une déclaration de politique de l'entreprise car le message concerne directement ou indirectement la sécurité du personnel ou la protection des biens.

IMPORTANT: Des informations plus détaillées concernant l'énoncé de la politique de l'entreprise car le message concerne directement ou indirectement la sécurité du personnel ou la protection des biens.

Tous les messages de sécurité vous indiqueront le danger potentiel, vous indiqueront comment réduire le risque de blessure et vous indiqueront ce qui peut se passer si les instructions ne sont pas respectées.



ATTENTION



Cet appareil n'est pas conçu pour être utilisé par des personnes (y compris des enfants) ayant des capacités physiques, sensorielles ou mentales réduites, ou un manque d'expérience et de connaissances, sauf si elles ont été surveillées ou que des instructions ont été données concernant l'utilisation de l'appareil par une personne responsable de leur sécurité. Les enfants doivent être surveillés pour s'assurer qu'ils ne jouent pas avec l'appareil.



L'amélioration des produits est un processus continu chez Advanced Distributor Products. Par conséquent, les spécifications du produit peuvent être modifiées sans préavis et sans obligation de notre part. Veuillez contacter votre représentant ou distributeur ADP pour vérifier les détails.

© 2024 par Advanced Distributor Products. Tous droits réservés.

Sécurité du ventilo-convecteur

IMPORTANT

Cette unité est un CLIMATISEUR À UNITÉ PARTIELLE, conforme aux exigences de la présente norme en matière d'UNITÉ PARTIELLE, et ne doit être connectée qu'à d'autres unités qui ont été confirmées comme étant conformes aux exigences correspondantes de la présente norme, UL 60335-2-40/CSA C22.2 n° 60335-2-40, ou UL 1995/CSA C22.2 n° 236.

IMPORTANT

La loi sur la lutte contre la pollution atmosphérique (Clean Air Act) de 1990 interdit la mise à l'air volontaire du réfrigérant (CFC et HFC). Les méthodes de récupération approuvées doivent être respectées. La non conformité entraîne l'imposition éventuelle d'amendes et/ou l'emprisonnement.

IMPORTANT

Cette unité est une UNITÉ PARTIELLE; elle ne doit être connectée qu'à un appareil utilisant le même réfrigérant que celui indiqué sur la plaque signalétique de cette unité.

AVIS

Système de détection des fuites installé. L'unité doit être sous tension, sauf pour l'entretien

IMPORTANT

En plus des procédures de charge conventionnelles, les exigences suivantes doivent être respectées.

1. S'assurer que les différents réfrigérants ne sont pas contaminés lors de l'utilisation de l'équipement de charge. Les flexibles ou les conduites doivent être aussi courts que possible pour minimiser la quantité de réfrigérant qu'ils contiennent.
2. Les bouteilles doivent être maintenues dans une position appropriée conformément aux instructions.
3. S'assurer que le SYSTÈME DE RÉFRIGÉRATION est mis à la terre avant de charger le système de réfrigérant.
4. Étiqueter le système une fois la charge terminée
5. Prendre soin de ne pas trop remplir le SYSTÈME DE RÉFRIGÉRATION. Avant de recharger le système, il doit être soumis à un essai de pression avec du gaz de purge approprié. Le système doit faire l'objet d'un test de fuite une fois la charge terminée, mais avant la mise en service. Un test de suivi des fuites doit être effectué avant de quitter le site.

IMPORTANT

Une installation, un réglage, une modification, une maintenance et/ou un entretien incorrects peuvent entraîner des dommages matériels ou des blessures graves, voire mortelles. L'installation et l'entretien doivent être assurés par un installateur de CVCA professionnel certifié (ou l'équivalent), une société de service ou le fournisseur du gaz.

ATTENTION

Tout le personnel d'entretien chargé de l'installation, de la mise hors service ou de l'entretien de l'unité doit être correctement formé aux réfrigérants A2L

AVIS

Les composants électriques étanches doivent être remplacés et non réparés.

AVIS

Les composants à sécurité intrinsèque doivent être remplacés et non réparés.

THIS UNIT REQUIRES SERVICE EQUIPMENT COMPATIBLE WITH R-454B REFRIGERANT

R-454B

REFRIGERANT SAFETY GROUP A2L

67684001

THIS UNIT REQUIRES SERVICE EQUIPMENT COMPATIBLE WITH R-32 REFRIGERANT

R-32

REFRIGERANT SAFETY GROUP A2L

67684101

AVERTISSEMENT

Ne pas utiliser de moyens pour accélérer le processus de dégivrage ou pour nettoyer d'autres produits que ceux recommandés par le fabricant. L'appareil doit être stocké dans une pièce sans sources d'allumage en fonctionnement continu (flammes nues, appareil au gaz en fonctionnement ou aérotherme électrique en fonctionnement, par exemple. Ne pas percer ou brûler. Sachez que les réfrigérants peuvent ne pas contenir d'odeur.

ATTENTION

L'équipement doit être étiqueté en indiquant qu'il a été mis hors service et vidangé de réfrigérant. L'étiquette doit être datée et signée. Pour les appareils contenant des réfrigérants inflammables, s'assurer que des étiquettes indiquent que l'équipement contient du réfrigérant inflammable.

AVIS

S'assurer que le câblage n'est pas sujet à l'usure, à la corrosion, à une pression excessive, à des vibrations, à des bords coupants ou à tout autre effet environnemental indésirable.

Sécurité du ventilo-convecteur



IMPORTANT



Le travail doit être effectué selon une procédure contrôlée afin de minimiser le risque de présence d'un gaz ou d'une vapeur inflammable pendant l'exécution du travail.



AVIS



Tout le personnel d'entretien et les autres doivent éviter de travailler dans des espaces confinés.



IMPORTANT



La zone doit être vérifiée avec un détecteur de réfrigérant approprié avant et pendant le travail, pour s'assurer que le technicien est conscient des atmosphères potentiellement toxiques ou inflammables. S'assurer que l'équipement de détection des fuites utilisé peut être utilisé avec tous les réfrigérants applicables, c'est-à-dire sans étincelles, correctement étanchéifiés ou intrinsèquement sûrs.



IMPORTANT



Si un travail à chaud doit être effectué sur l'équipement de réfrigération ou toute pièce associée, un équipement d'extinction d'incendie approprié doit être disponible. Ayez un extincteur à poudre sèche ou à CO₂ à proximité de la zone de charge.



ATTENTION



Aucune personne effectuant des travaux en lien avec un système de réfrigération impliquant l'exposition à des conduites ne doit utiliser de source d'allumage de manière à ce qu'elle puisse entraîner un risque d'incendie ou d'explosion. Toutes les sources d'allumage possibles, y compris la fumée de cigarette, doivent être suffisamment éloignées du site d'installation, de réparation, d'élimination et d'élimination, pendant lequel du réfrigérant peut être évacué dans l'espace environnant. Avant de commencer le travail, la zone autour de l'équipement doit être inspectée pour s'assurer qu'il n'y a pas de dangers inflammables ou d'allumage. Des panneaux « Pas de fumée » doivent être affichés.



IMPORTANT



S'assurer que la zone est ouverte ou qu'elle est correctement ventilée avant de pénétrer dans le système ou d'effectuer un travail à haute température. Un certain degré de ventilation doit se poursuivre pendant la période pendant laquelle le travail est effectué.



ATTENTION



Certains savons utilisés pour la détection des fuites ont un effet corrosif sur certains métaux. Rincer soigneusement la canalisation une fois les recherches de fuites terminées. Ne pas utiliser d'allumette, de bougie, de flamme ou d'autre source d'allumage pour localiser les fuites de gaz.



IMPORTANT



Lorsque les composantes électriques sont remplacées, elles doivent être adaptées à l'usage et aux spécifications correctes. Les directives d'entretien et d'entretien du fabricant doivent toujours être respectées. En cas de doute, consulter le service technique du fabricant pour assistance. Les vérifications suivantes doivent être appliquées aux installations utilisant des RÉFRIGÉRANTS INFLAMMABLES, le cas échéant.

1. La charge réelle de réfrigérant est conforme à la taille de la pièce dans laquelle les pièces contenant du réfrigérant sont installées.
2. Les sorties et les machines de ventilation fonctionnent correctement et ne sont pas obstruées.
3. Si un circuit de réfrigération indirect est utilisé, le circuit secondaire doit être vérifié pour détecter la présence de réfrigérant.
4. Les repères sur l'équipement continuent d'être visibles et lisibles. Les marquages et les signes illisibles doivent être corrigés.
5. Les conduites ou composantes de réfrigération sont installées dans une position où il est peu probable qu'elles soient exposées à une substance qui peut corroder les composantes contenant du réfrigérant, sauf si les composantes sont fabriquées dans des matériaux qui sont intrinsèquement résistants à la corrosion ou sont convenablement protégés contre la corrosion.



ATTENTION



La réparation et l'entretien des composantes électriques doivent comprendre des vérifications de sécurité initiales et des procédures d'inspection des composantes telles que le déchargement sécuritaire des condensateurs afin d'éviter toute possibilité d'étincelles, l'absence d'exposition des composantes et du câblage électriques sous tension pendant la charge, la récupération ou la purge du système et la continuité de la mise à la terre. En cas de défaillance susceptible de compromettre la sécurité, aucune alimentation électrique ne doit être connectée au circuit avant d'avoir été traitée de manière satisfaisante. Si la défaillance ne peut pas être corrigée immédiatement mais qu'il est nécessaire de continuer à fonctionner, une solution temporaire adéquate doit être utilisée pour signaler le problème au propriétaire de l'équipement, de manière à ce que toutes les parties soient informées.



AVIS



L'altitude maximale de l'application est de 3 200 m au-dessus du niveau de la mer.



AVIS



Une fois les conduites installées pour les systèmes en deux parties terminées, les conduites sur place doivent être testées sous pression avec un gaz inerte à un minimum de 450 psig, puis sous vide avant la charge du réfrigérant.



AVIS



L'étanchéité des joints réfrigérants fabriqués sur place à l'intérieur doit être testée. La méthode d'essai doit avoir une sensibilité de 5 grammes par an de réfrigérant ou mieux sous une pression d'au moins 0,25 fois la pression maximale autorisée. Aucune fuite ne doit être détectée.

Sécurité du ventilo-convecteur



AVERTISSEMENT



Les dispositifs auxiliaires qui peuvent être une source d'allumage potentielle ne doivent pas être installés dans les gaines. Exemples de sources d'allumage potentielles : surfaces chaudes ayant une température supérieure à 700 °C et dispositifs de commutation électriques.



AVIS



Tout le personnel d'entretien et les autres personnes travaillant dans la région doivent être informés de la nature du travail effectué en évitant de travailler dans des espaces confinés.



AVERTISSEMENT



Pour les appareils utilisant des réfrigérants A2L connectés par un système de gaines d'air à une ou plusieurs pièces, seuls les dispositifs auxiliaires approuvés par le fabricant de l'appareil ou déclarés appropriés avec le réfrigérant doivent être installés dans les gaines de raccordement.



AVERTISSEMENT



Pour les appareils raccordés à des gaines, des faux plafonds ou des faux plafonds peuvent être utilisés comme plénum de retour d'air si un **SYSTÈME DE DÉTECTION DU RÉFRIGÉRANT** est fourni avec l'appareil et que toutes les connexions extérieures sont également fournies avec un capteur immédiatement en dessous du joint du conduit du plénum de retour d'air.



AVERTISSEMENT



Si cet appareil conditionne un espace dont la surface est inférieure à la TA_{min} comme défini par les instructions, cet espace doit être exempt de flammes nues en continu (par exemple, un appareil au gaz en fonctionnement) ou d'autres sources d'allumage potentielles (par exemple, un aérotherme électrique en fonctionnement ou une surface chaude similaire). Un dispositif produisant des flammes peut être installé dans le même espace si le dispositif est équipé d'un système d'arrêt de la flamme efficace.



AVIS



Les canalisations, y compris les matériaux des canalisations, l'acheminement des tuyaux et l'installation, doivent inclure une protection contre les dommages physiques en fonctionnement et en service, et doivent être conformes aux codes et normes nationaux et locaux, tels que ASHRAE 15, ASHRAE 15.2, IAPMO Uniform Mechanical Code, ICC International Mechanical Code ou CSA B52. Tous les joints sur place doivent être accessibles pour inspection avant d'être recouverts ou enfermés.

Les serpentins d'évaporateur utilisant des réfrigérants A2L (R-454B et R-32) installés à l'altitude du sol du bâtiment doivent être conformes aux exigences minimales indiquées ci-dessous.

	3	5	10	15	20	25	30
Charge de réfrigérant R-454B / R-32 (livres)	3	5	10	15	20	25	30
Charge de réfrigérant R-454B / R-32 (kg)	1,4	2,3	4,5	6,8	9,1	11,3	13,6
ZONE CLIMATISÉE MINIMALE (pi ²)	45	75	150	225	300	375	450
ZONE CLIMATISÉE MINIMALE (m ²)	4,2	7,0	13,9	20,9	27,9	34,8	41,8

Les exigences minimales de la zone conditionnée doivent être modifiées en multipliant par le facteur de réglage de l'altitude (AF) pour une installation à des altitudes plus élevées (H_{alte}). Les tableaux ci-dessous indiquent les valeurs AF pour différentes altitudes en mètres.

H_{alte} (MÈTRES)	0 - 600	800	1000	1200	1400	1600	1800	2000	2200	2400	2600	3000	3200
AF	1,00	1,02	1,05	1,07	1,10	1,12	1,15	1,18	1,21	1,25	1,28	1,36	1,40

GÉNÉRALITÉS

Ces instructions sont données à titre indicatif uniquement et ne remplacent en aucun cas les codes nationaux ou locaux. La conformité à tous les codes locaux, provinciaux ou nationaux applicables à ce type d'équipement doit être déterminée avant l'installation.

Lire ce manuel d'instructions dans son intégralité, ainsi que les instructions fournies avec l'équipement séparé, avant de commencer l'installation.

Tous les modèles sont conçus pour utilisation à l'intérieur uniquement.

L'installation du ventilateur-convecteur, du câblage sur place, des conduits d'air chaud, etc. doit être conforme aux exigences du Code national de l'électricité, ANSI/NFPA no. 70 (dernière édition) aux États-Unis, ainsi qu'aux lois d'État et ordonnances locales (y compris les codes de plomberie ou des eaux usées). Les autorités compétentes locales doivent être consultées avant l'installation. De telles réglementations ou exigences applicables prévalent sur les instructions générales de ce manuel.

Installer le plénum d'air conditionné, les conduits et les filtres à air (non fournis) conformément à la norme NFPA 90B relative à l'installation des systèmes de climatisation et de chauffage à air chaud (dernière édition).

Certains modèles sont configurés pour le refoulement d'air ascendant uniquement et d'autres pour le refoulement d'air ascendant ou horizontal à gauche.

Ne pas retirer pas les ouvertures défonçables de l'armoire avant d'avoir déterminé quelles ouvertures devront être retirées pour l'installation.

Choisir la position d'installation finale qui convient le mieux aux

INSPECTER L'EXPÉDITION

⚠
AVERTISSEMENT
⚠

Risque de poids excessif

Utiliser au moins deux personnes pour déplacer et installer le ventilateur-convecteur.

Le non-respect de cette consigne peut entraîner des blessures au dos ou d'autres types de blessures.

Tous les ventilateur-convecteurs sont testés. Chaque unité est composée d'un ensemble ventilateur, d'un serpentin de réfrigérant et de contrôles, dans une enceinte isolée finie en usine. Des détonations sont fournies pour l'entrée du câblage électrique.

1. Vérifier la plaque signalétique de l'unité pour confirmer que les spécifications correspondent à celles commandées.
2. À la réception de l'équipement, l'inspecter soigneusement pour déterminer s'il a été endommagé pendant le transport. Prendre soin d'examiner l'unité si le carton est endommagé.

En cas de dégâts, ces dégâts doivent être indiqués sur la liste de colisage du transporteur. Les demandes de dommages doivent être déposées immédiatement auprès du carrier. Les demandes de pénurie doivent être déposées auprès du vendeur dans les 5 jours.

REMARQUE : Si des dommages sont découverts et signalés au carrier, ne pas installer l'unité car votre réclamation peut être refusée.

⚠
AVERTISSEMENT
⚠

Choc électrique


Déconnecter l'alimentation électrique avant de procéder à l'entretien.


Remettre toutes les pièces et panneaux en place avant de les utiliser.

Mettre le ventilateur-convecteur à la terre.

Connecter le fil de terre à la borne de terre marquée

Le non-respect de cette consigne peut entraîner la mort ou un choc électrique.






Danger d'explosion

Tenir les matériaux et vapeurs inflammables, comme l'essence, à l'écart de cette unité.

Placer cette unité de manière à ce que les éléments chauffants soient à au moins 18 po (46 cm) au-dessus du sol pour une isolation dans le garage.

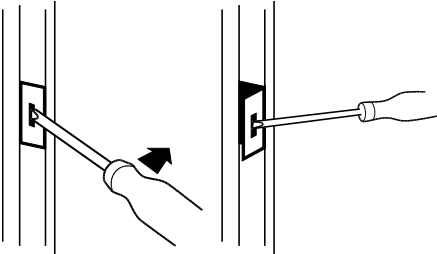
Le non-respect de ces instructions peut entraîner la mort, une explosion ou un incendie.



conditions du site. Tenir compte des dégagements obligatoires, de l'espace, des exigences d'acheminement de la conduite de réfrigérant, de l'évacuation du condensat, des filtres, du système de conduits, du câblage et de l'accessibilité pour l'entretien. Se référer à la plaque signalétique du ventilateur-convecteur pour des informations spécifiques.

FIGURE 5

Réglage des languettes du support de filtres



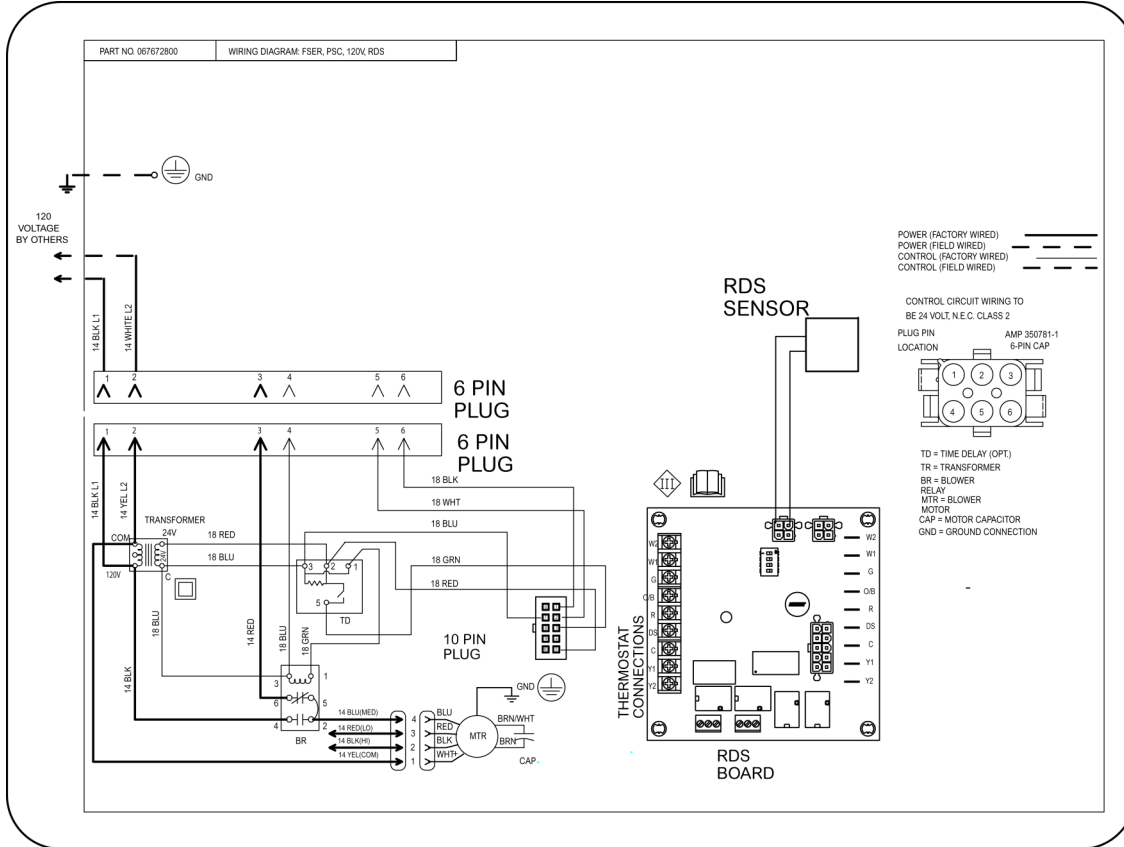
Modèle	Taille du filtre
12 / 18 / 24	12 po x 20 po
25 / 30 / 36	16 po x 20 po
31 / 37 / 42 / 48 / 60	18 x 25 po

Si un filtre doit être installé, un support de filtre doit être formé à l'aide de brides fournies en usine comme illustré à la Figure 5.

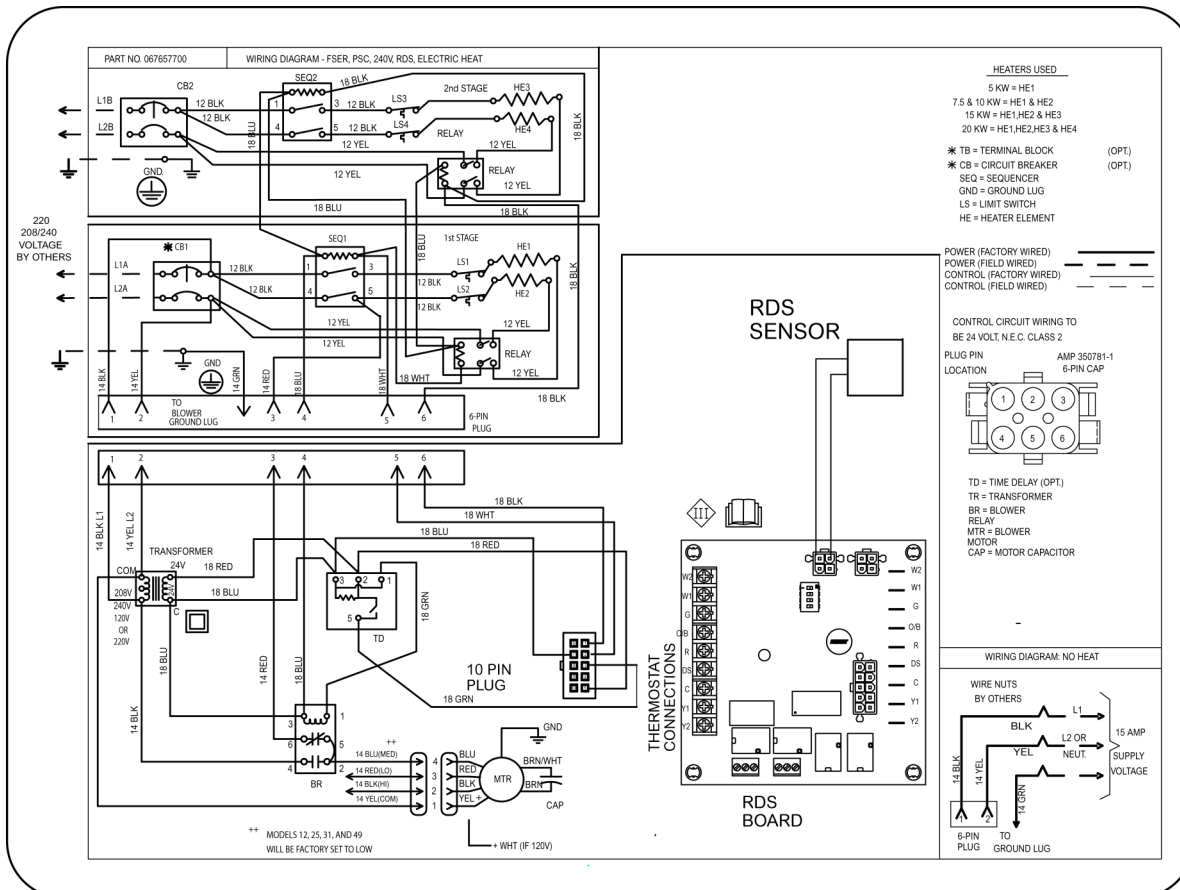
1. Mettre le ventilateur-convecteur sur le dos.
2. Serrer les languettes du support de filtre.
3. Placer le ventilateur-convecteur en position verticale.

SCHÉMA DE CÂBLAGE

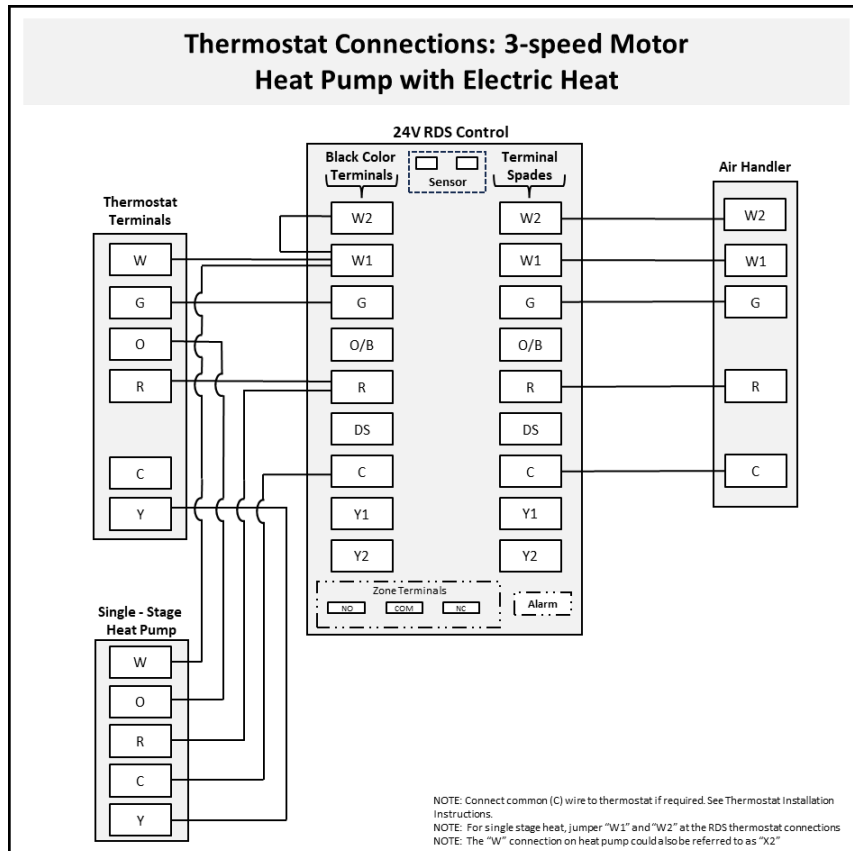
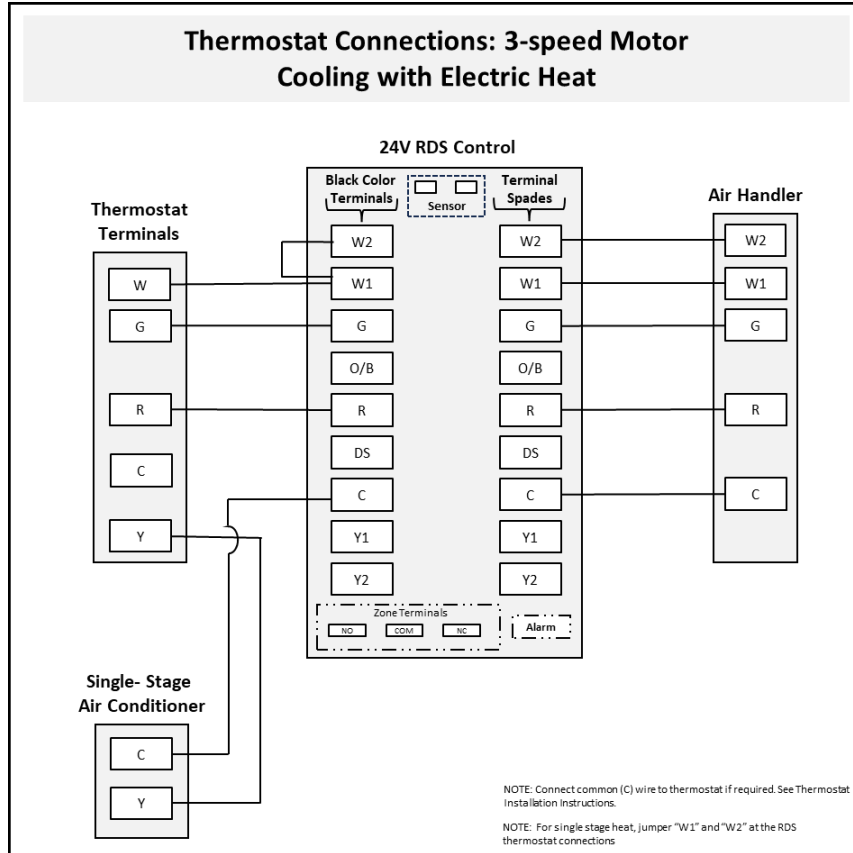
Moteur PSC 3-Speed 120 volts avec système de détection du réfrigérant



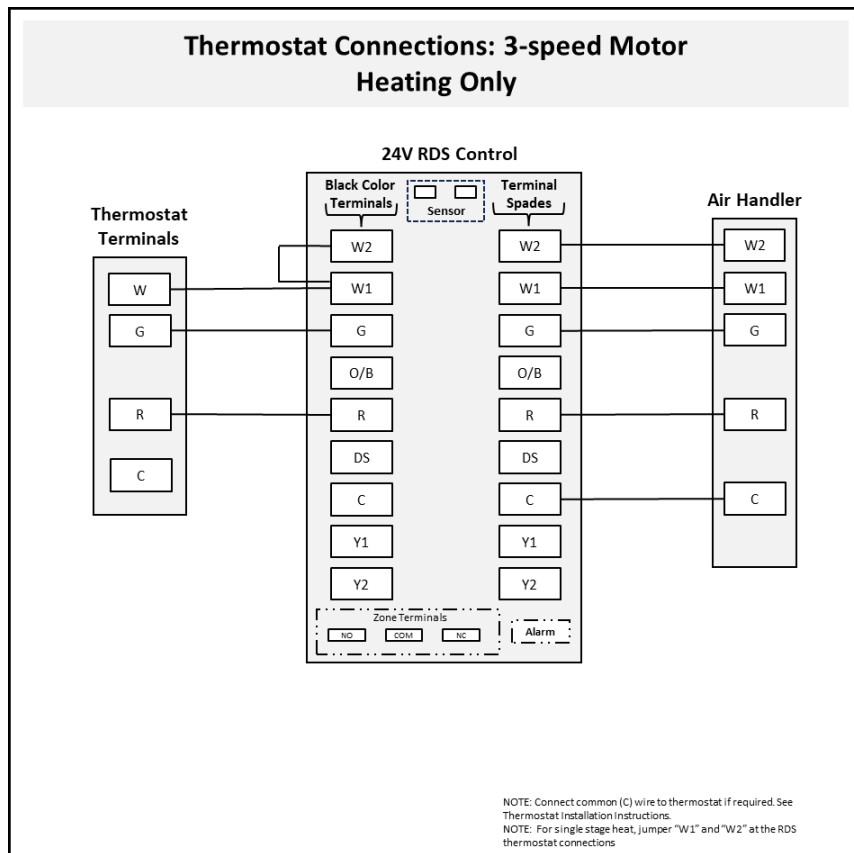
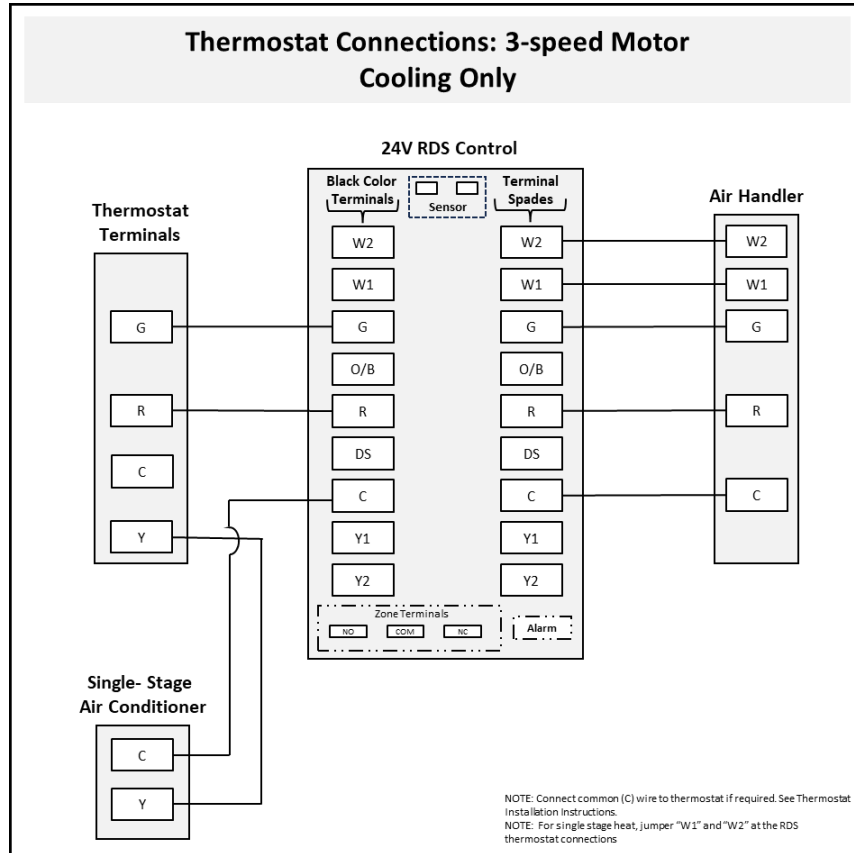
Moteur 3-Speed, 240V, chauffage électrique avec système de détection du réfrigérant



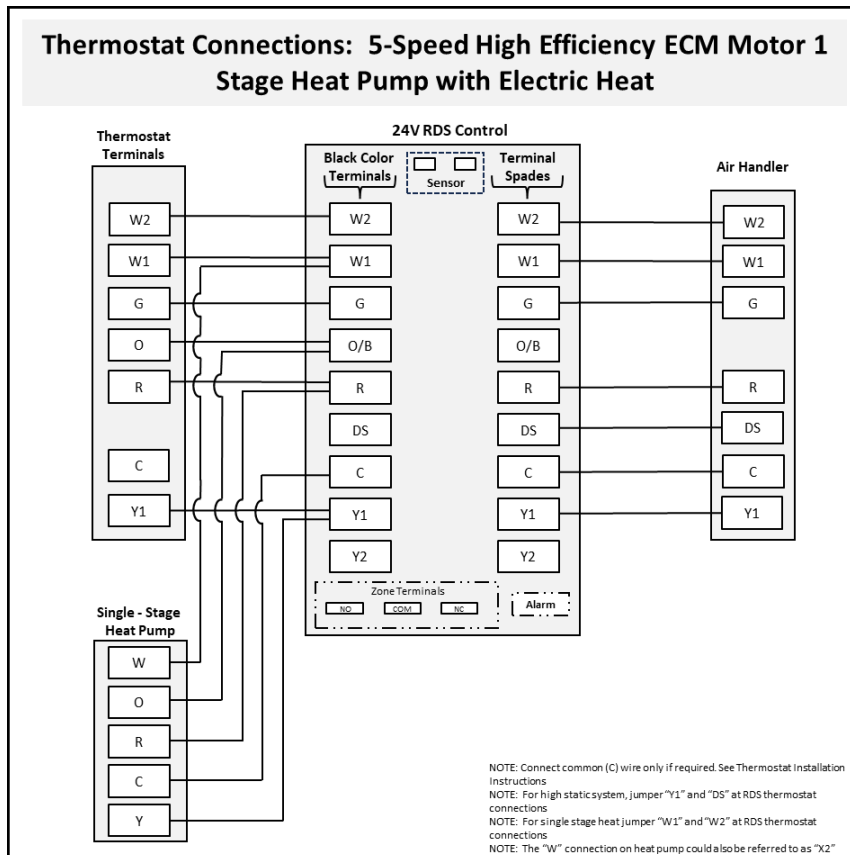
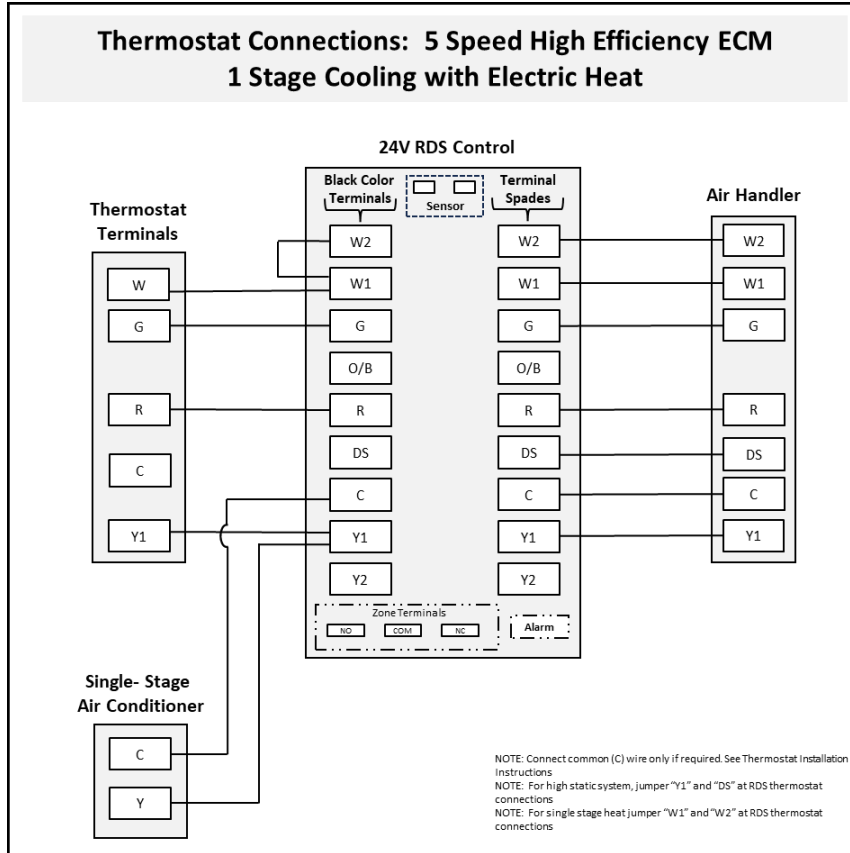
CONNEXIONS DU THERMOSTAT



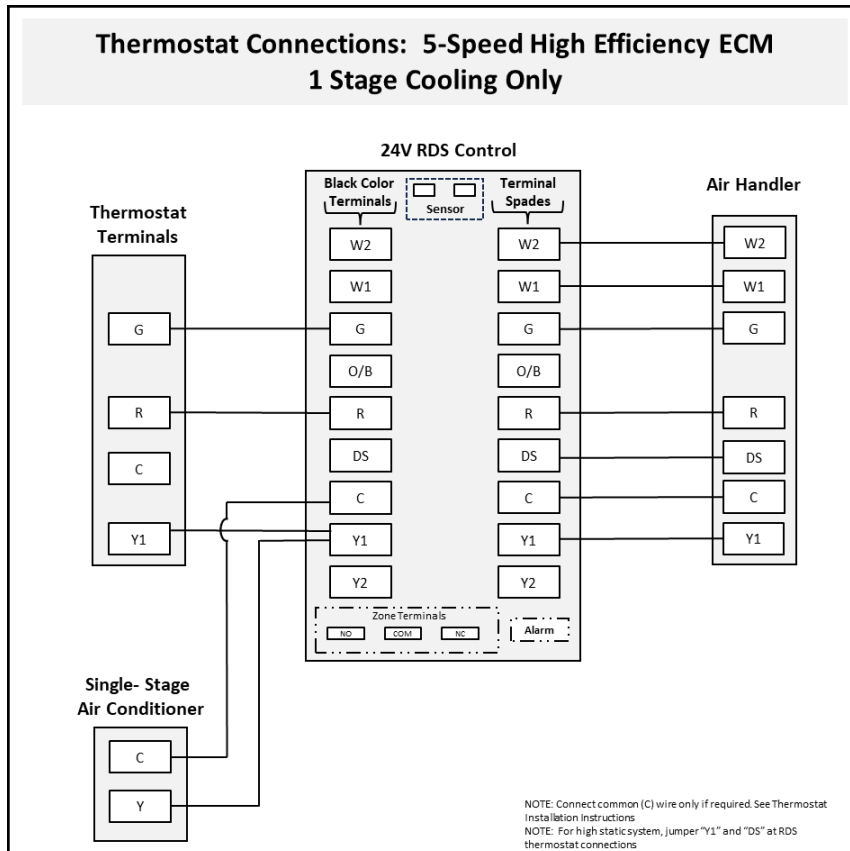
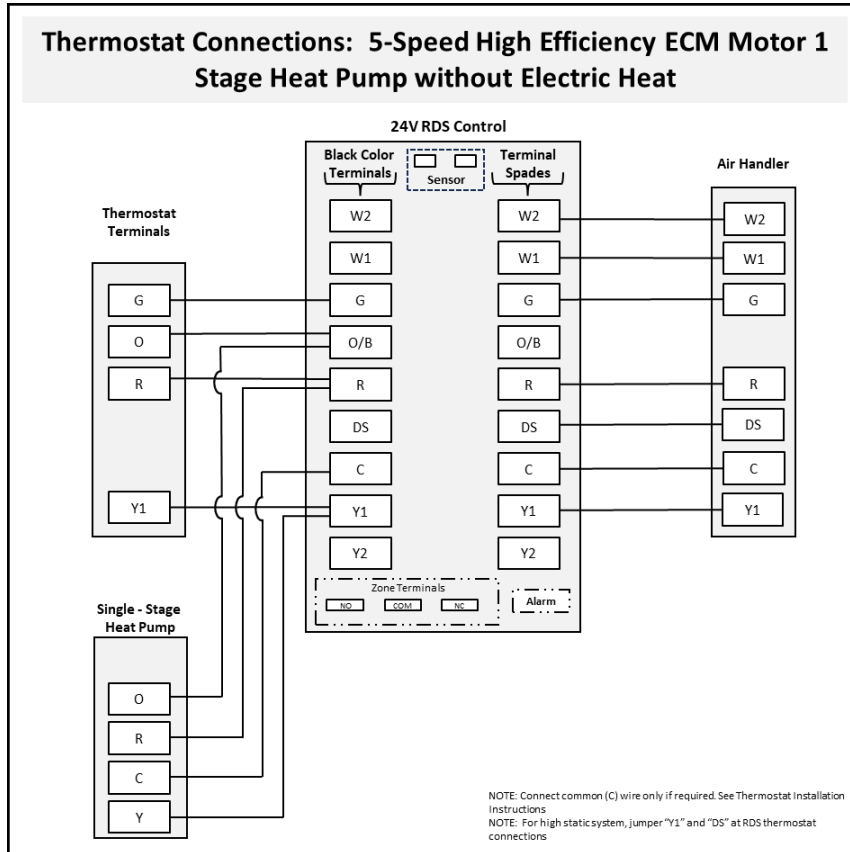
CONNEXIONS DU THERMOSTAT



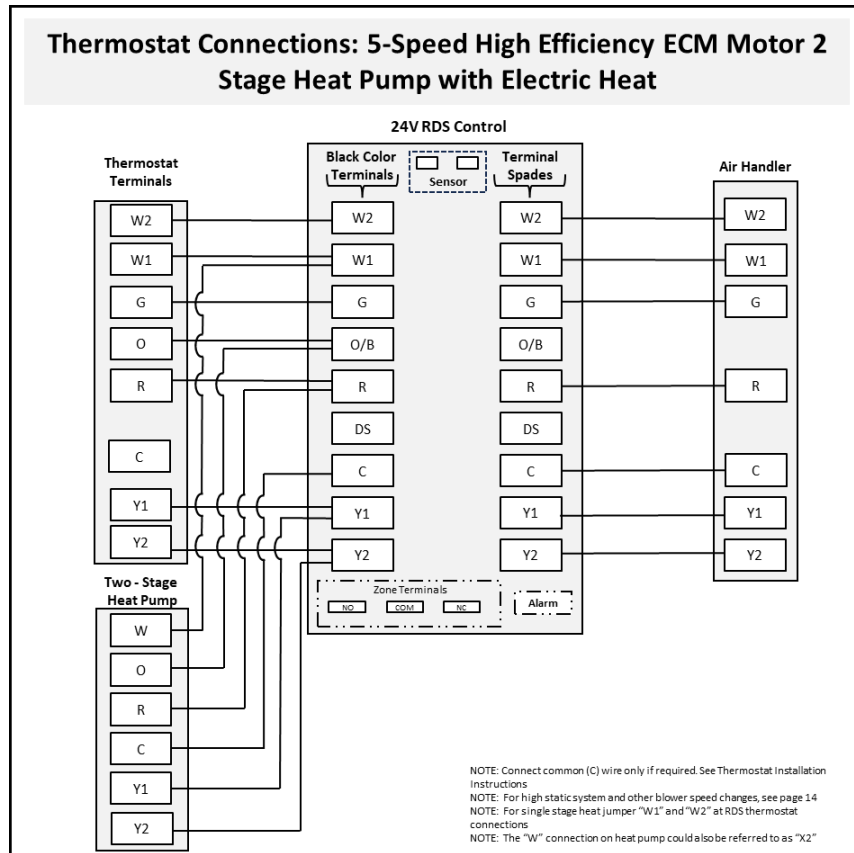
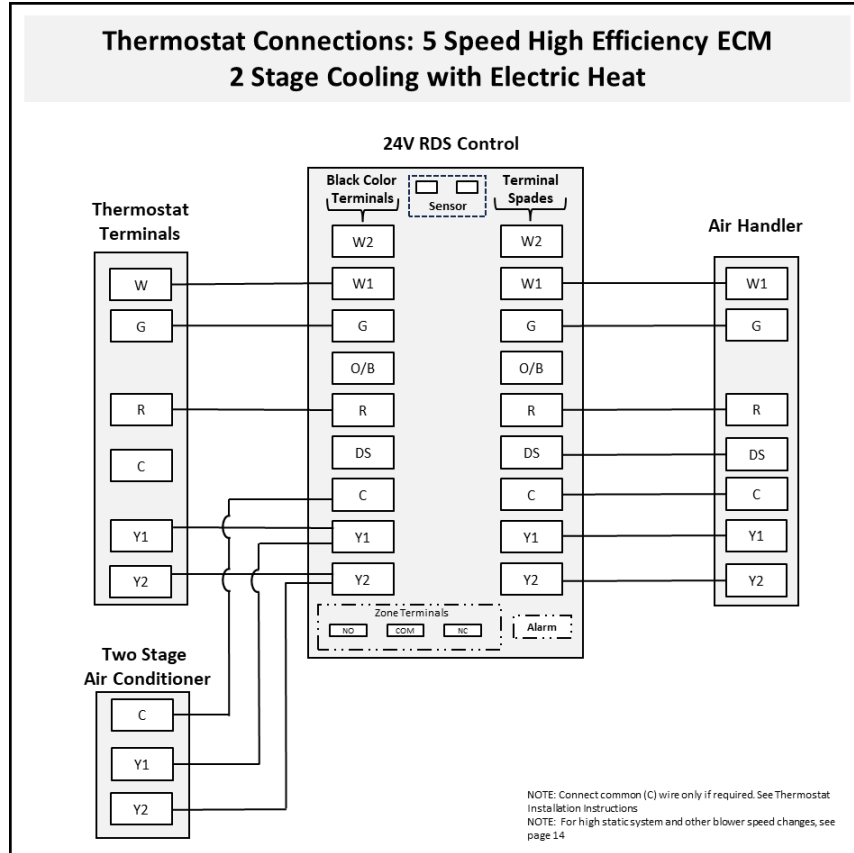
CONNEXIONS DU THERMOSTAT



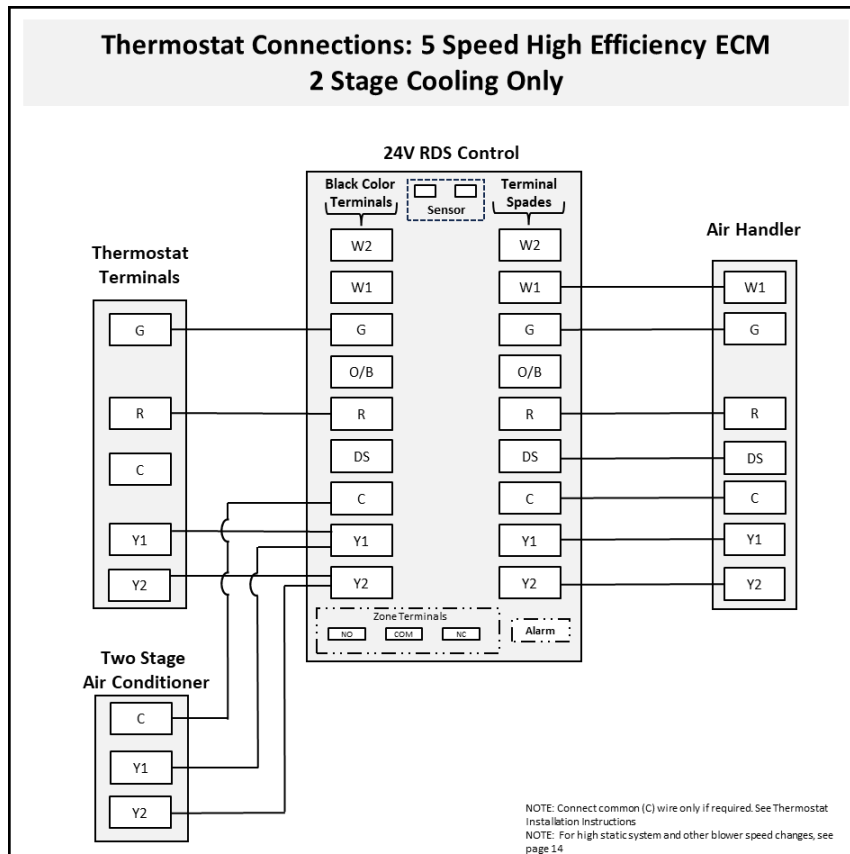
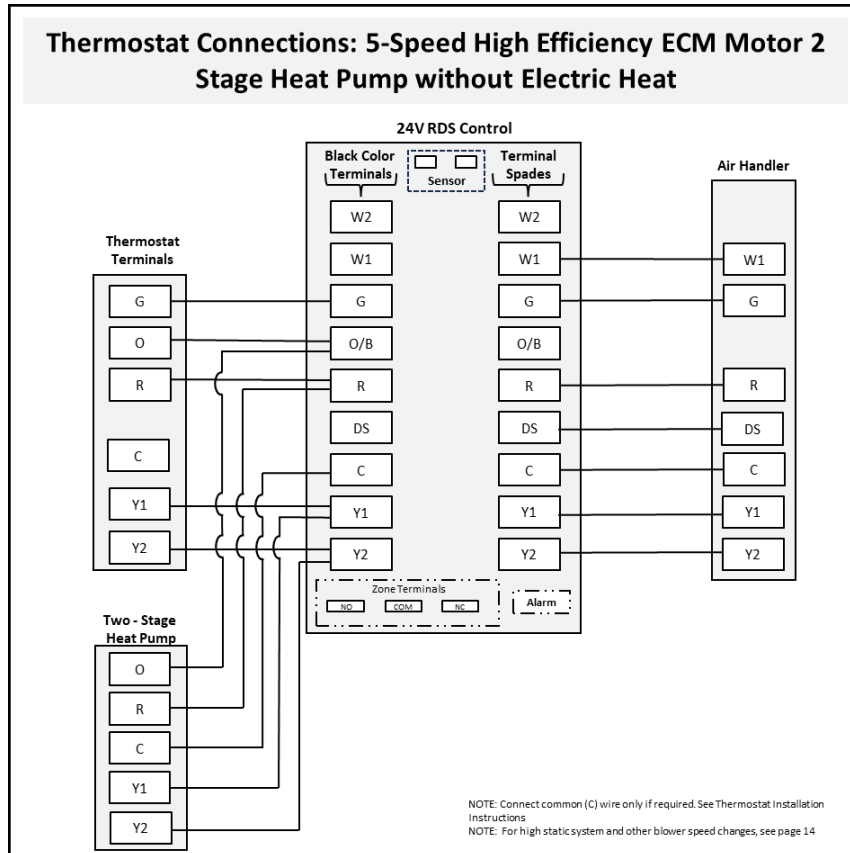
CONNEXIONS DU THERMOSTAT



CONNEXIONS DU THERMOSTAT



CONNEXIONS DU THERMOSTAT



RENDEMENT DU VENTILATEUR

Moteur PSC à 3 vitesses :

- Toutes les données sont données quand le ventilateur fonctionne avec un serpentin sec et un filtre à air installés.
- Le marché des vitesses ***avec un astérisque** sont les réglages de vitesse usine pour le chauffage et la climatisation.
- La vitesse de chauffage ne doit pas être inférieure au réglage usine.

- Différentes vitesses peuvent être réglées pour le mode Climatisation; voir les instructions d'installation pour modifier les vitesses de climatisation
- Pour un fonctionnement descendant, utiliser le prochain réglage de vitesse la plus élevée disponible. S'il est réglé à vitesse élevée par rapport à l'usine, utiliser vitesse élevée pour le débit descendant.

Moteur PSC 208/240 V 3-Speed

Moteur PSC 120 V 3-Speed

		Débit d'air (CFM) vs. Pression statique extérieure (pouces d'eau)				
Taille	Vitesse	0,10	0,20	0,30	0,40	0,50
18	Faible	505	499	487	434	397
	Moy.	653	634	625	600	512
	*Maxi	891	853	812	778	733
24	Faible	663	624	583	578	562
	Moy.	902	864	822	792	744
	*Maxi	1159	1097	1031	960	893
25	*Mini	867	839	803	780	733
	Moy.	1044	1015	991	941	889
	Maxi	1260	1234	1200	1149	1098
30	Faible	867	839	803	780	733
	*Moy.	1044	1015	991	941	889
	Maxi	1260	1234	1200	1149	1098
31	*Mini	1143	1112	1081	1047	1015
	Moy.	1268	1233	1186	1165	1133
	Maxi	1415	1390	1352	1314	1260
36	Faible	1143	1112	1081	1047	1015
	*Moy.	1268	1233	1186	1165	1133
	Maxi	1415	1390	1352	1314	1260
37	*Mini	1318	1299	1270	1210	1147
	Moy.	1444	1409	1374	1294	1220
	Maxi	1712	1645	1544	1453	1328
42	Faible	1318	1299	1270	1210	1147
	*Moy.	1444	1409	1374	1294	1220
	Maxi	1712	1645	1544	1453	1328
48	*Mini	1764	1709	1652	1563	1418
	Moy.	1984	1884	1780	1683	1509
	Maxi	2031	1959	1832	1725	1617
60	Faible	1764	1709	1652	1563	1418
	Moy.	1984	1884	1780	1683	1509
	*Maxi	2031	1959	1832	1725	1617

		Débit d'air (CFM) vs. Pression statique extérieure (pouces d'eau)				
Taille	Vitesse	0,10	0,20	0,30	0,40	0,50
18	Faible	431	424	425	403	385
	*Moy.	645	645	645	641	597
	Maxi	804	804	804	793	765
24	Faible	530	525	519	507	483
	*Moy.	925	915	875	823	736
	Maxi	1189	1110	1016	917	826
25	*Mini	998	956	905	844	770
	Moy.	1045	1004	962	871	785
	Maxi	1089	1036	980	905	826
30	Faible	998	956	905	844	770
	*Moy.	1045	1004	962	871	785
	Maxi	1089	1036	980	905	826
31	*Mini	945	930	912	869	793
	Moy.	1150	1145	1123	1166	1004
	Maxi	1291	1291	1285	1277	1200
36	Faible	945	930	912	869	793
	*Moy.	1150	1145	1123	1166	1004
	Maxi	1291	1291	1285	1277	1200
42	*Mini	1393	1378	1366	1246	1167
	Moy.	1603	1592	1575	1540	1443
	Maxi	1811	1811	1805	1744	1674
48	Faible	1393	1378	1366	1246	1167
	*Moy.	1603	1592	1575	1540	1443
	Maxi	1811	1811	1805	1744	1674
60	Faible	1583	1583	1583	1567	1551
	*Moy.	1972	1972	1968	1882	1819
	Maxi	2169	2146	2096	2004	1908

RENDEMENT DU VENTILATEUR

Moteur ECM 5 vitesses haute efficacité 120 volts

- Toutes les données sont données quand le ventilateur fonctionne avec un serpentin sec.
- Le marché des vitesses **avec un astérisque* sont les réglages de vitesse usine pour le chauffage et la climatisation.
- Différentes vitesses peuvent être réglées pour le mode Climatisation; voir les instructions d'installation pour modifier les vitesses de climatisation.
- Pour un fonctionnement descendant, utiliser la prise de vitesse 5.

		Débit d'air (CFM) vs. Pression statique extérieure (pouces d'eau.)					
Taille	Appuyez sur	0,10	0,20	0,30	0,40	0,50	0,60
18	1	529	492	429	367	328	289
	2	603	563	526	469	417	380
	*3	757	725	701	668	639	586
	4	806	777	746	720	692	661
	5	849	826	798	768	745	720
24	1	613	575	538	487	432	395
	2	769	737	711	678	648	594
	*3	955	926	899	871	842	814
	4	989	962	938	912	891	865
	5	1046	1024	996	971	945	919
25	1	687	633	573	482	424	373
	2	830	794	757	708	636	570
	*3	971	948	913	882	840	802
	4	1012	988	960	922	889	849
	5	1057	1040	1011	979	943	909
30	1	765	720	667	602	521	474
	2	971	950	913	879	836	797
	*3	1163	1141	1116	1090	1054	1025
	4	1203	1189	1168	1139	1112	1078
	5	1222	1202	1188	1161	1128	1102
31	1	853	793	724	658	525	475
	2	1047	999	948	898	840	785
	*3	1230	1185	1142	1104	1054	1007
	4	1268	1231	1189	1147	1106	1053
	5	1316	1273	1237	1196	1152	1108

		Débit d'air (CFM) vs. Pression statique extérieure (pouces d'eau.)					
Taille	Appuyez sur	0,10	0,20	0,30	0,40	0,50	0,60
36	1	835	798	761	710	629	569
	2	1158	1137	1114	1088	1054	1024
	*3	1354	1327	1310	1290	1270	1239
	4	1418	1389	1369	1351	1327	1304
	5	1429	1412	1395	1379	1358	1330
37	1	908	851	794	730	632	535
	2	1232	1186	1142	1104	1054	1005
	*3	1432	1389	1346	1307	1272	1228
	4	1468	1426	1388	1350	1311	1275
	5	1504	1474	1438	1401	1363	1323
42	1	961	914	857	794	744	611
	2	1417	1377	1339	1299	1267	1223
	*3	1613	1574	1543	1508	1482	1447
	4	1669	1634	1600	1564	1530	1504
	5	1694	1665	1637	1603	1570	1537
48	1	1169	1106	1008	930	859	799
	2	1658	1615	1575	1532	1477	1409
	*3	1830	1792	1754	1737	1682	1622
	4	1863	1844	1809	1778	1740	1684
	5	1895	1855	1836	1805	1772	1714
60	1	1317	1298	1239	1162	1049	972
	2	1809	1752	1706	1707	1671	1619
	*3	1905	1851	1822	1784	1795	1756
	4	2013	1956	1908	1867	1890	1867
	5	2230	2171	2119	2072	2038	2048

RENDEMENT DU VENTILATEUR

Moteur ECM 5 vitesses haute efficacité 240 volts

- Toutes les données sont données quand le ventilateur fonctionne avec un serpentin sec et un filtre à air installés.
- Le marché des vitesses **avec un astérisque* sont les réglages de vitesse usine pour le chauffage et la climatisation.
- La vitesse de chauffage ne doit pas être inférieure au réglage usine. Pour unité 18 et 24, utiliser la prise de vitesse 5 pour le chauffage
- Différentes vitesses peuvent être réglées pour le mode Climatisation; voir les instructions d'installation pour modifier les vitesses de climatisation.
- Pour un fonctionnement descendant, utiliser la prise de vitesse 5.

		Débit d'air (CFM) vs. Pression statique extérieure (pouces d'eau.)							
Taille	Appuyez sur	0,10	0,20	0,30	0,35	0,40	0,45	0,50	0,60
18	1	492	448	393	361	361	333	307	273
	2	513	471	420	414	384	357	325	318
	*3	667	641	615	605	596	577	567	560
	4	705	673	665	648	630	621	603	590
	5	721	689	673	656	639	629	612	590
24, 25	1	732	627	590	581	571	545	536	525
	2	671	634	594	578	573	546	493	480
	*3	892	859	832	828	818	797	790	775
	4	911	866	839	832	825	818	804	760
	5	924	886	846	832	825	818	797	780
30, 31	1	871	830	778	722	671	635	625	586
	2	906	859	809	779	715	689	654	635
	*3	1085	1070	1048	1036	1024	1001	989	975
	4	1125	1103	1087	1059	1047	1024	1012	983
	5	1176	1146	1114	1098	1081	1059	1047	1029
36, 37	1	882	887	826	804	766	760	755	695
	2	1082	1037	1025	1002	990	959	921	881
	*3	1270	1250	1238	1228	1214	1189	1179	1162
	4	1290	1275	1265	1246	1236	1227	1212	1172
	5	1335	1315	1301	1287	1278	1259	1240	1225
42	1	1008	907	861	832	803	772	717	671
	2	1292	1243	1202	1192	1171	1149	1127	1070
	*3	1447	1430	1404	1377	1359	1340	1322	1283
	4	1534	1502	1476	1459	1433	1416	1398	1362
	5	1559	1519	1502	1477	1460	1434	1417	1381
48	1	1585	1494	1320	1252	1210	1151	1120	1088
	2	1510	1463	1414	1389	1363	1324	1256	1228
	*3	1675	1633	1579	1556	1545	1510	1487	1451
	4	1737	1697	1655	1633	1612	1590	1568	1545
	5	1781	1731	1679	1658	1637	1615	1593	1571
60	1	1394	1342	1288	1251	1172	1109	1077	1025
	2	1722	1666	1623	1594	1564	1534	1518	1471
	*3	2083	2048	2013	1990	1972	1947	1929	1885
	4	2179	2135	2101	2079	2056	2039	2021	1937
	5	2209	2166	2122	2101	2057	2058	2047	1956

OUTILS ET PIÈCES NÉCESSAIRES

Assembler les outils et les pièces nécessaires avant de commencer l'installation. Lire et suivre les instructions fournies avec tous les outils indiqués ici :

<i>Tornevis d'écrou de 1/4 po</i>	<i>Ruban de mesure</i>
<i>Niveau</i>	<i>Marteau</i>
<i>Tournevis</i>	<i>Selant</i>
<i>Clé réglable</i>	<i>Écrous de fils homologués UL</i>

Orifice de remplacement (si nécessaire; voir « Dispositif de mesure »)

Vérifier les codes locaux, l'alimentation électrique existante et lire les sections « Exigences relatives aux conduites » et « Exigences électriques » avant d'acheter des pièces.

La taille correcte de l'orifice peut être contenue dans l'ensemble d'orifices de remplacement situé à l'intérieur du boîtier de contrôle de l'unité extérieure. Si cet ensemble ne contient pas l'orifice correct pour votre ventilo-convecteur, vous devez acheter l'orifice correct.

EXIGENCES DU SYSTÈME EXTÉRIEUR

Le ventilo-convecteur est conçu pour être utilisé avec des unités extérieures homologuées AHRI. Les sections intérieures sont fabriquées avec un dispositif de mesure du réfrigérant interchangeable pour assurer un contrôle optimal du réfrigérant et un rendement optimal du système avec différentes capacités

d'unités extérieures. Dans certains cas, l'indice AHRI peut exiger que le dispositif de mesure du réfrigérant du ventilo-convecteur soit changé pour obtenir un rendement nominal.

EXIGENCES RELATIVES À L'EMPLACEMENT

REMARQUE : Quand l'unité est installée dans un espace très humide et utilisée dans les applications de climatisation, une transpiration excessive peut se produire à l'extérieur de l'unité. Pour éviter les sueurs excessives, envelopper l'unité avec une isolation en fibre de verre de 1 po. Toutes les ouvertures doivent être étanchéifiées pour éviter les fuites d'air qui pourraient entraîner la formation de condensat à l'intérieur de l'enceinte.

- S'il est installé dans un espace non conditionné, un produit d'étanchéité doit être appliqué autour des fils électriques, des conduites de réfrigérant et de la conduite de condensat à l'endroit où ils entrent dans l'armoire.

- Les fils électriques doivent être scellés à l'intérieur, à l'endroit où ils sortent de l'ouverture du conduit. Un produit d'étanchéité est nécessaire pour empêcher les fuites d'air et la formation de condensat à l'intérieur du ventilo-convecteur, du boîtier de commande et des commandes électriques.
- Le ventilo-convecteur doit être installé de manière à permettre un accès libre au compartiment du serpentin/filtre et au compartiment du ventilateur/contrôleur.

DÉGAGEMENTS D'INSTALLATION

Le dégagement par rapport aux matériaux combustibles doit être de 0 po par rapport au corps de l'unité et de 0 po par rapport au plénum et à la gaine pendant les premiers 36 po.

Le ventilo-convecteur peut être installé dans un placard à faux fond pour former un plénum de retour d'air ou être installé avec un plénum de retour d'air sous le ventilo-convecteur.

Les registres ou grilles de retour d'air sont fournis sur place. Les codes locaux peuvent limiter l'application de systèmes sans conduit de retour dans les bâtiments à un étage.

- Installer les registres dans un placard. Utiliser le « Tableau des exigences minimales du filtre » pour déterminer la taille de l'ouverture qui fournira la quantité d'air libre dont vous aurez besoin. En cas d'utilisation de registres ou de grilles, faire correspondre la surface libre du registre ou de la grille à la surface libre minimum de retour d'air que vous avez déterminée nécessaire en consultant le « Tableau des exigences minimales du filtre ».

- Si la surface libre n'est pas connue, supposer une surface libre de 25 % pour le bois ou une surface libre de 75 % pour les registres et grilles métalliques.
- Si un plénum de retour d'air est utilisé, la grille de retour d'air doit être immédiatement devant l'ouverture du plénum pour permettre la libre circulation de l'air de retour.
- Lorsqu'elle n'est pas installés devant l'ouverture, il doit y avoir un espace suffisant autour du ventilo-convecteur pour permettre la libre circulation de l'air de retour.



INSTALLATION DE L'ÉTIQUETTE A2L


Repérer en permanence l'étiquette de série avec le réfrigérant et le dispositif de mesure A2L (R-454B et R-32) appropriés utilisés. Voir exemple ci-dessous.

REFRIGERANT: FACTORY CONFIGURED FOR R-454B
● **FIELD INSTALLED AS R-454B**
FIELD CONFIGURED TO
○ **R-32**

METERING DEVICE
● **TXV**
○ **PISTON**


EXIGENCES ÉLECTRIQUES

 **AVERTISSEMENT** 


Risque d'électrocution!

Mettre l'aérotherme électrique à la terre.

Connecter le fil de terre à la borne de terre portant la mention « GND ».



Utiliser un fil de cuivre homologué pour le raccordement de l'alimentation.

Le tableau ci-dessous indique le calibre de fil correct.

Le non-respect de ces instructions peut entraîner la mort ou un choc électrique.

REMARQUE : Utiliser uniquement des conducteurs en cuivre.

- Tout le câblage sur place doit être effectué conformément au National Electrical Code, aux exigences applicables des codes UL et locaux, le cas échéant.
- Le câblage d'alimentation, les moyens de déconnexion et la protection contre les surtensions doivent être fournis par l'installateur. Se reporter à la plaque signalétique du ventilo-convecteur de la série MX pour la protection maximale contre les surtensions, l'ampérage minimum du circuit et la tension de fonctionnement.
- L'alimentation électrique doit être dimensionnée et protégée conformément aux spécifications fournies avec le produit.
- Ce ventilo-convecteur est configuré en usine pour 240 V monophasé, 60 cycles. Pour les applications 208 volts, voir « Conversion 208 volts » à la section « Effectuer des connexions électriques »
- Pour les applications optionnelles avec aérotherme électrique, se reporter aux instructions fournies avec l'accessoire pour une installation correcte.

OPTIONS DE CONFIGURATION

Pour faciliter l'installation, il est préférable de modifier la configuration du serpentin avant de mettre le ventilo-convecteur en place.

- Les modèles verticaux ne contiennent qu'une seule cuvette de drainage.
- Les modèles multi-positions contiennent 2 cuvettes de drainage.

Installations verticales

Ascendante :

Le ventilo-convecteur doit être supporté par le dessous uniquement et installé sur un plancher solide ou un cadre de support fourni sur place. Fixer solidement le ventilo-convecteur au sol ou au cadre de support.

Descendante :

Un ensemble d'accessoires pour circulation descendante est disponible. Utiliser les instructions de conversion descendante fournies avec l'ensemble.

Les configurations horizontales

Les installations horizontales peuvent être alimentées en air à gauche ou à droite.

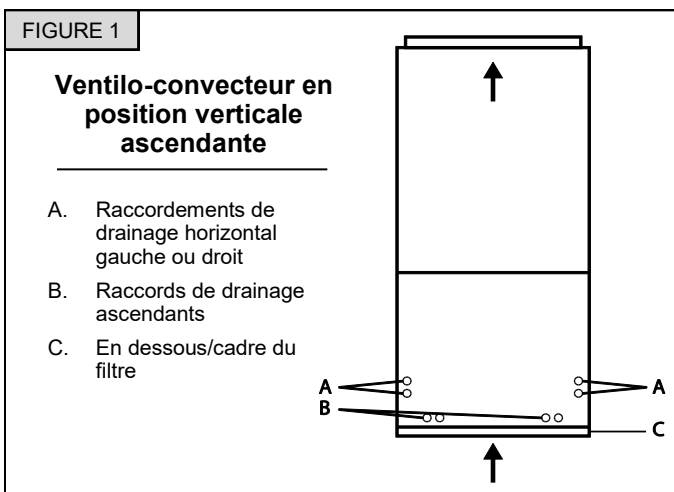
Un support adéquat doit être fourni pour assurer l'intégrité de l'enceinte.

Les unités montées à l'horizontale doivent être montées légèrement inclinées vers les connexions de drainage (voir Figure 6) de manière à ce que la cuvette de drainage se vide complètement sans que de l'eau ne se retienne dans la cuvette.

S'assurer qu'il y a suffisamment d'espace pour retirer les panneaux de service et d'accès si l'installation est horizontale.

IMPORTANT:

- Ce serpentin est fourni avec un drain secondaire qui doit être piégé et raccordé à un endroit qui avertit visuellement l'occupant que le drain primaire est bouché. Voir « Installation du drain de condensat ».
- Lorsqu'un serpentin d'évaporateur est installé dans un grenier ou au-dessus d'un plafond fini, une cuvette de drainage auxiliaire doit être installée sous le ventilo-convecteur comme spécifié par la plupart des codes du bâtiment locaux, et doit avoir un encombrement supérieur à celui du ventilo-convecteur.
- Agrandir l'isolation de la conduite d'aspiration de 2 po dans l'enceinte du serpentin pour empêcher l'humidité de s'égoutter sur l'isolation (il peut être nécessaire de retirer l'œillet en caoutchouc).



OPTIONS DE CONFIGURATION (SUITE)

Conversion de Vertical à Horizontal

Un ventilateur-convecteur ascendant uniquement peut être converti en refoulement d'air horizontal en installant un ensemble de cuvette de drainage horizontale (voir accessoires). Un ventilateur-convecteur ascendant/horizontal peut être converti d'un refoulement horizontal à gauche à un refoulement horizontal à droite sans pièces supplémentaires.

Installation de l'enceinte suspendue

REMARQUE : Le ventilateur-convecteur doit être positionné d'un côté parallèle au sol en position horizontale, avec un pas de 1/2 po vers le drain. Les dispositifs de suspension doivent être fabriqués sur place et doivent être composés d'au moins deux « socles » fabriqués en fixant deux tiges filetées de 3/8 po à un entretoise de 1-5/8 x 7/8 po. Les socles ne doivent pas interférer avec le retrait du panneau, les connexions de drainage ou les connexions de réfrigérant.

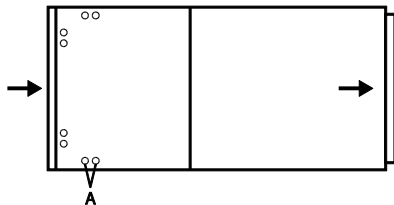
CONNEXIONS DE DRAINAGE

FIGURE 2

Ventilo-convecteur en position horizontale

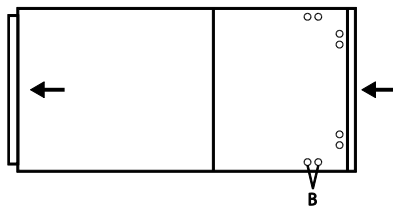
Horizontale droite

Nécessite un changement d'emplacement de la cuvette de drainage



Horizontale gauche

Prêt en usine (sur les modèles multi-positions)



Les installations horizontales peuvent être « droite » ou « gauche ».

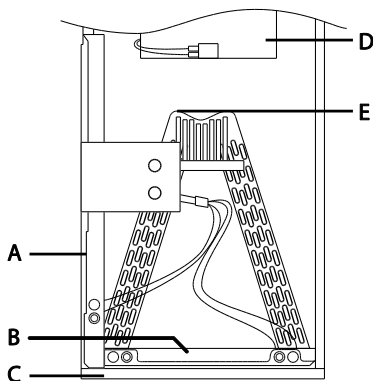
Pour les installations horizontales à droite, un changement d'emplacement de la cuvette de drainage est nécessaire. Utiliser les raccords de drainage « A » (Figure 2). Pour les installations horizontales à gauche, utiliser les raccords de drainage marqués « B » (Figure 2).

Suivre ces étapes pour modifier la cuvette de drainage pour une configuration horizontale droite.

1. Retirer et mettre de côté le ventilateur et les panneaux d'accès avant.
 2. Retirer le support du serpent.
 3. Retirer soigneusement le serpent, la cuvette de drainage inférieure et la cuvette de drainage latérale du ventilateur-convecteur.
- Attention :** Prendre soin de retirer l'ensemble serpent de l'unité. L'installation dans cette configuration peut faire basculer le serpent dans l'unité une fois dégagé de l'enceinte. Supporter le serpent lors de son retrait.
4. Déplacer la cuvette de drainage latérale du côté opposé.
 5. Remonter l'ensemble serpent modifié dans le ventilateur-convecteur dans la même orientation qu'auparavant.
 6. Installer le support du serpent du côté opposé du ventilateur-convecteur.
 7. Écraser les panneaux nécessaires pour les connexions des conduites de drainage.
 8. Remplacer les portes d'accès au ventilateur et au serpent.

FIGURE 3

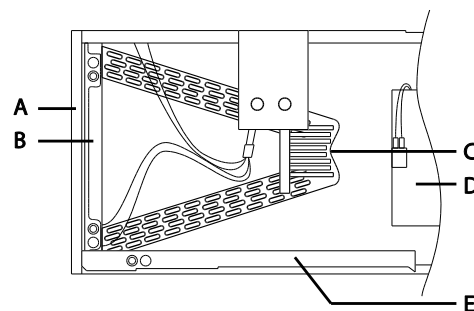
Vue avant du ventilateur-convecteur sans panneau d'accès avant



- | | |
|----------------------------------|-----------------------|
| A. Cuve de drainage latérale | D. Ventilateur |
| B. Bas de la cuvette de drainage | E. Capuchon supérieur |
| C. Porte d'accès au filtre | |

FIGURE 4

Vue avant du ventilateur-convecteur en position horizontale sans panneau d'accès avant après conversion

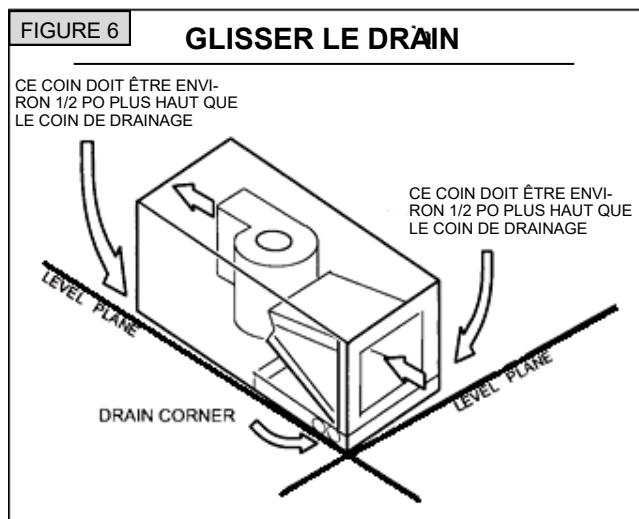


- | | |
|----------------------------------|------------------------------|
| A. Porte d'accès au filtre | D. Ventilateur |
| B. Bas de la cuvette de drainage | E. Cuve de drainage latérale |
| C. Capuchon supérieur | |

INCLINAISON DU DRAIN

S'assurer que l'unité est inclinée d'environ 1/2 po (similaire à la pente illustrée à la Figure 6) pour assurer un drainage correct du condensat.

REMARQUE : Une pente supérieure à 5/8 po peut causer un refoulement dans le trou de drainage auxiliaire en cas d'électricité statique élevée.



INSTALLATION DU DRAIN DE CONDENSAT

Le ventilo-convecteur est équipé de raccords NPT de 3/4 po pour le drainage du condensat.

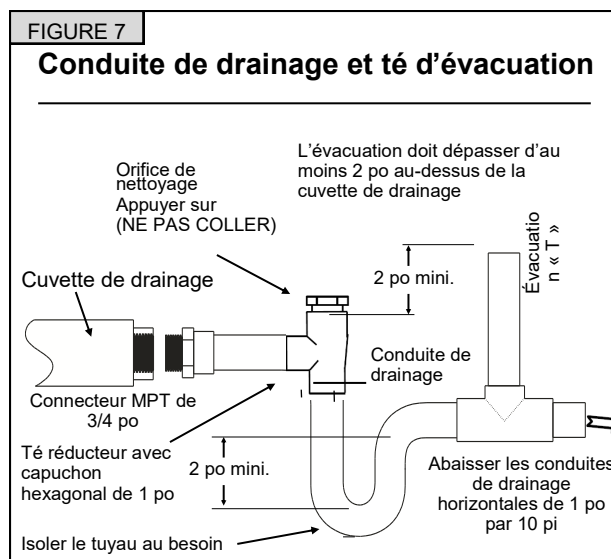
Un bac de drainage secondaire fabriqué sur place, avec un tuyau de drainage vers l'extérieur du bâtiment, est nécessaire pour toute installation sur un espace de vie fini ou dans toute zone pouvant être endommagée par le débordement du bac de drainage principal. Dans certaines localités, les codes locaux peuvent exiger un bac de drainage secondaire pour toute installation horizontale. La cuvette de drainage secondaire doit avoir un encombrement supérieur à celui du ventilo-convecteur.

- Retirer les ouvertures défonçables appropriées pour les drains. Voir la section « Connexions de la cuvette de drainage ». Il peut être nécessaire de retirer l'ensemble serpentin intérieur de l'enceinte.
- Déterminer les connexions de drainage à utiliser et noter la différence entre les ouvertures primaire (verte) et secondaire (rouge). Des bouchons de drainage sont fournis pour toutes les ouvertures; retirer et jeter les bouchons appropriés avec un cliquet d'entraînement de 1/2 po et vérifier que les autres bouchons sont bien serrés (2,5 pi-lb). Fixer la conduite de drainage à la cuvette avec des raccords en PVC filetés mâles de 3/4 po. Le serrage à la main est suffisant – ne pas trop serrer et ne pas réduire la dimension de la conduite de drainage.
- Les connexions de drainage secondaire doivent être connectées à un système de drainage séparé. Amener ce drain à un endroit conforme aux codes d'installation locaux où il sera remarqué quand l'unité est opérationnelle. Le condensat s'écoulant du drain secondaire indique un drain primaire bouché.
- Installer un siphon de 2 po sur les conduites de drainage principales aussi près que possible de l'unité. S'assurer que la partie supérieure du siphon se trouve sous la connexion au bac de drainage pour permettre un drainage complet du bac. **REMARQUE** : Les conduits horizontaux doivent être équipés d'un évent anti-siphon (tube vertical) installé en amont du conduit horizontal. Voir Illustration 7. Un parcours horizontal extrêmement long peut nécessiter une conduite de drainage surdimensionnée pour éliminer les blocages. **REMARQUE** : Ne pas utiliser le ventilo-convecteur sans conduite de drainage. Le drain de condensat se trouve du côté pression négative du ventilateur ; par conséquent, l'air aspiré par la conduite de condensat ne permet pas un drainage satisfaisant sans un siphon approprié.

- Acheminer la conduite de drainage jusqu'à l'extérieur ou un drain approprié. Les conduites de drainage doivent être installées de manière à ne pas bloquer l'accès d'entretien à l'avant du ventilo-convecteur. Un dégagement de 24 po est nécessaire pour le retrait du filtre, du serpentin ou du ventilateur et l'accès pour l'entretien. **REMARQUE** : Vérifier les codes locaux avant de raccorder la conduite de drainage à un système de drainage existant.
- Isoler les conduites de drainage si la condensation peut causer des dégâts.

Une fois l'installation terminée, il incombe à l'installateur de s'assurer que la ou les cuvette(s) de drainage capturent tout le condensat et que tout le condensat s'écoule correctement et ne pénètre pas dans le conduit/système.

- Verser plusieurs litres d'eau dans la cuvette de drainage, suffisamment pour remplir le purgeur et la conduite de drainage.
- Vérifier que la cuvette de drainage s'écoule complètement, qu'aucune fuite n'est présente dans les raccords de la conduite de drainage et que l'eau s'écoule de l'extrémité de la cuvette de drainage primaire.
- Corriger toute fuite détectée.



EXIGENCES APPLICABLES AUX

- Installer le plénum d'air conditionné, les conduits et les filtres à air (non fournis) conformément à la norme NFPA 90B relative à l'installation des systèmes de climatisation et de chauffage à air chaud (dernière édition).
- Le ventilo-convecteur est fourni avec des brides pour le raccordement du plénum et des gaines.
- Le ventilo-convecteur est équipé de brides qui peuvent former un support de filtre pour l'installation du filtre à air, ou le filtre peut être installé dans le cadre du système de conduits de retour d'air.
- Les filtres à air doivent être homologués comme filtres à air des fournaise d'air chaud de Classe 2.
- Les gaines d'alimentation et de retour doivent être correctement dimensionnées pour répondre aux exigences du système en matière d'air et de pression statique. Les gaines doivent être isolées avec une isolation d'au moins 1 po d'épaisseur avec une barrière anti-vapeur dans les zones climatisées et d'au moins 2 po dans les zones non climatisées.
- Le plénum d'alimentation doit être de la même taille que l'ouverture à bride fournie autour de la sortie du ventilateur et doit idéalement dépasser d'au moins 3 pi du ventilo-convecteur avant de tourner ou de ramifier le plénum dans les conduits. Le plénum forme une extension du boîtier du ventilateur et minimise les pertes d'expansion d'air du ventilateur.

INSTALLATION DES GAINES

IMPORTANT:

- Installer les gaines conformément à la norme NFPA 90B et aux codes locaux.
- Raccorder le conduit d'alimentation d'air à la bride au-dessus du ventilo-convecteur. Si un connecteur d'isolation est utilisé, il doit être ininflammable.

- Un système de conduits de retour d'air est recommandé. Si l'unité est installée dans un espace confiné ou un placard, une connexion de retour doit être installée à l'extérieur de l'enceinte.

DISPOSITIF DE MESURE

Vanne d'expansion thermique (TXV)

Vannes d'expansion installées en usine : Les ampoules de détection sont installées en usine et fixées à la conduite d'aspiration. Au besoin, le bulbe peut être installé sur une conduite d'aspiration verticale. Dans ce cas, le bulbe doit être placé avant tout purgeur, le tube capillaire du bulbe orienté vers le haut.

Pistons

IMPORTANT: Pour un rendement optimal, le piston doit être dimensionné pour correspondre aux recommandations du

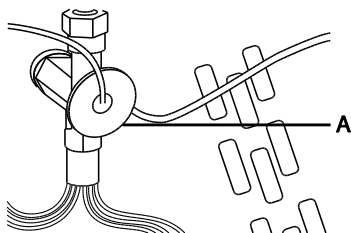
fabricant de l'unité extérieure. Consulter les informations de l'unité extérieure pour déterminer si l'unité intérieure a la taille d'orifice correcte.

Pour changer les pistons, suivre la procédure suivante :

1. Desserrer l'écrou hexagonal situé sur la conduite de liquide et le séparer de l'ensemble distributeur.
2. Retirer le piston existant de l'ensemble distributeur.
3. Insérer le piston désiré dans le distributeur.
4. Inspecter le joint torique en Téflon et le remplacer s'il est endommagé. S'assurer que le joint torique en Téflon est en place.
5. Réinstaller l'écrou hexagonal sur le corps et serrer à 10 pi-lb.

FIGURE 8

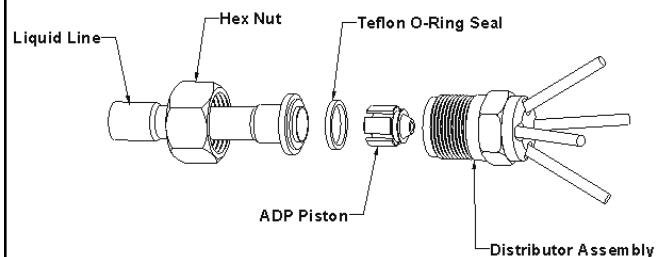
Vanne d'expansion thermique (Lettre A)



REMARQUE : Certains modèles sont équipés d'une vanne d'expansion thermique et ne nécessitent aucun changement d'orifice.

FIGURE 9

Vue latérale de l'orifice du piston



INSTALLATION DE LA CONDUITE DE RÉFRIGÉRANT

Les conduites de réfrigérant doivent être connectées par un technicien certifié par l'EPA conformément aux procédures établies.

IMPORTANT:

- Le raccordement des conduites de réfrigérant doit être effectué en cuivre propre, déshydraté et de qualité réfrigérante. Les serpentins du ventilateur-convecteur ne doivent être installés qu'avec les dimensions de conduite spécifiées pour les combinaisons de systèmes approuvées.
- Faire attention aux conduites de réfrigérant pendant l'installation. Des coudes coupants ou des coudes dans les conduites peuvent causer une restriction.
- Ne pas retirer les capuchons des conduites ou des points de connexion du système. Les connexions de l'unité sont prêtes à être effectuées.

- Acheminer les conduites d'aspiration et de liquide des raccords du serpentín intérieur aux raccords de l'unité extérieure. Faire passer les conduites dans un chemin direct, évitant ainsi les virages et les coudes inutiles.
- S'assurer que la conduite d'aspiration est isolée sur toute la longueur exposée et que les conduites d'aspiration et de liquide ne sont pas en contact direct avec les sols, murs, gaines, solives de sol ou autres conduites.

- Raccorder la conduite d'aspiration et la conduite de liquide au serpentín d'évaporateur.
- Pour éviter d'endommager les œillets en caoutchouc de l'enceinte pendant le brasage, faire glisser les œillets en caoutchouc sur les conduites de réfrigérant jusqu'à ce qu'ils soient éloignés de la source de chaleur.
- Braser avec un alliage d'argent ou de cuivre et de phosphore avec un point de fusion supérieur à 1100 °F. **REMARQUE** : Ne pas utiliser de soudure douce.
- Réinstaller les œillets en caoutchouc une fois le brasage terminé.
- S'assurer que le unité extérieur a été mis en place conformément aux instructions d'installation et est connecté aux conduites de réfrigérant.

ADP recommande d'installer un filtre déshydrateur et une vitre dans la conduite de liquide. Pendant le brasage, purger le système avec de l'azote pour éviter toute contamination. Pour le réfrigérant A2L (R-454B et R-32), ADP recommande de rattacher et d'isoler le bulbe de détection TXV à une position de 10 à 2 heures sur la conduite d'aspiration, à l'intérieur du boîtier du serpentín. Évacuer le système à 500 microns pour assurer une évacuation correcte de l'air et de l'humidité (**Remarque** : Une évacuation profonde ou une triple évacuation est recommandée). Ouvrir lentement la vanne de service d'aspiration et laisser le réfrigérant s'écouler dans le système avant d'ouvrir la vanne de service de liquide.

INSTRUCTIONS DE CHARGEMENT DU RÉFRIGÉRANT

En mode Climatisation, la température extérieure doit être supérieure ou égale à 60 °F. Pour que les pressions se stabilisent, faire fonctionner le système pendant au moins 15 minutes entre les réglages. Lors du réglage de la charge des systèmes équipés de serpentins extérieurs à microcanaux, effectuer de petits ajustements (1 once ou moins) car ces systèmes sont très sensibles à la charge de réfrigérant.

Charge TXV^{2, 3, 4} – Utiliser la méthode de charge recommandée par les instructions de l'unité extérieure. ADP recommande également de charger à un sous-refroidissement de 12 °F pour les unités CA et à un sous-refroidissement de 10 °F pour les thermopompe. De plus, si la vanne est réglable, régler à 10 °F de surchauffe.

Charge à orifice fixe^{2, 3, 4} – Utiliser la surchauffe recommandée par les instructions de l'unité extérieure.

Pour les thermopompe initialement chargées en mode Climatisation, les réglages finaux pour charger en mode Chauffage sont acceptables au besoin. Certaines thermopompe doivent être chargées en mode Chauffage. Dans ce cas, se reporter aux instructions extérieures pour les procédures de charge recommandées.

Si le système est sous-charge après la charge initiale, ajouter du réfrigérant jusqu'à ce que la vitre de vision soit dégagée et que les pressions, températures, sous-refroidissement et surchauffe recommandées puissent être obtenues. Si le système est surchargé après la charge initiale, récupérer le réfrigérant jusqu'à ce que les pressions, températures, sous-refroidissement et surchauffe recommandés puissent être obtenus.

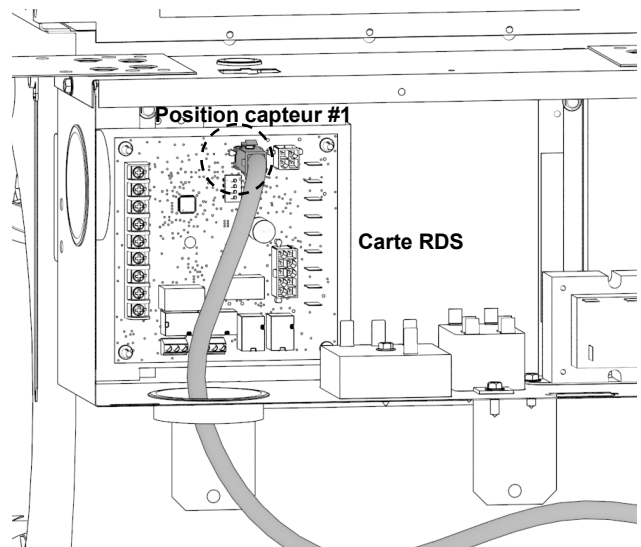
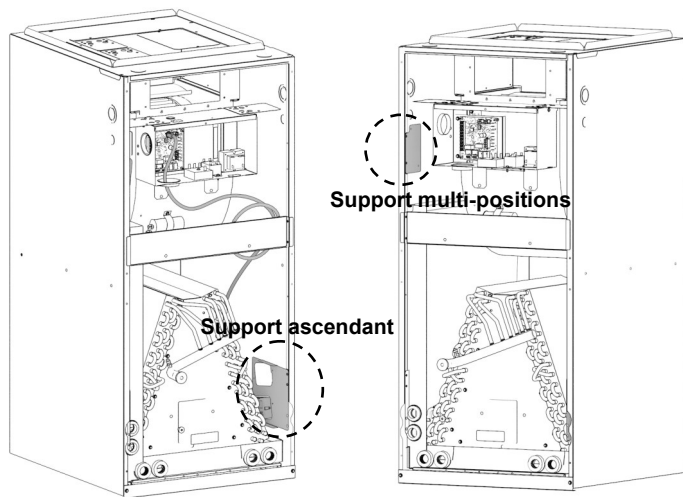
Remarques :

- En cas de problème ou de question concernant les frais, contacter le service à la clientèle.
- Les méthodes de charge des FEO varient en fonction de la conception et de l'application. Vérifier que toutes les pressions, températures, sous-climatisation et réglages de surchauffe recommandés produisent la charge correcte.
- Les serpentins APD peuvent nécessiter une compensation de charge en raison de la variation de taille par rapport au serpentín OEM.
- Les températures sont de ± 2 °F sauf recommandation contraire.

Débit d'air minimum et limite de charge pour l'installation du réfrigérant A2L

Taille	Débit d'air minimum Q_{min} (CFM)	Charge de réfrigérant maximale autorisée dans une installation (livres)	
		R-454B	R-32
18	431	15,9	16,5
24	530	19,6	20,2
25	671	24,8	25,6
30	867	30,0	30,0
31	906	30,0	30,0
36	945	30,0	30,0
37	1008	30,0	30,0
42	1292	30,0	30,0
48	1393	30,0	30,0
60	1583	30,0	30,0

EXIGENCES RELATIVES AU SYSTÈME DE DÉTECTION DU RÉFRIGÉRANT (SDR)

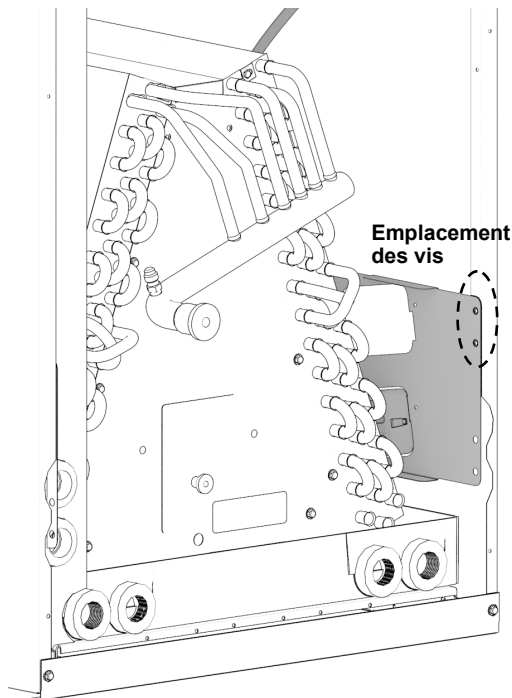


REMARQUE : Le ventilo-convecteur de la série F sera configuré en usine pour l'application ascendante avec le capteur de réfrigérant A2L (R-454B et R-32) positionné au bas du ventilo-convecteur comme illustré.

REMARQUE : Le support situé à proximité du panneau de commande (en haut à gauche) doit être utilisé pour les applications multi-positions (horizontale gauche ou horizontale droite). Cette patte est appelée patte multi-positions à partir de maintenant.

Configuration ascendante

1. Vérifier que le support de capteur de débit ascendant est toujours assemblé au ventilo-convecteur avec les deux trous supérieurs du support comme illustré

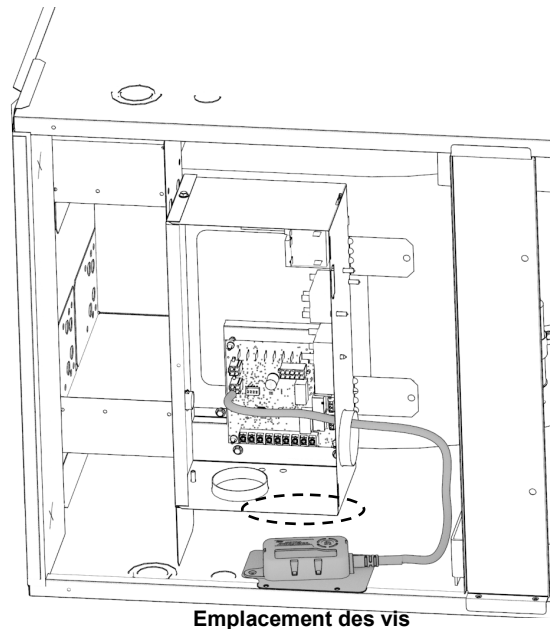


2. Vérifier que le capteur est toujours branché sur l'orifice « Sensor #1 » du panneau de commande du système de détection de réfrigérant (RDS)

Configuration multipostions

Horizontale à gauche

1. Retirer le capteur de sa position d'origine
2. Retirer le support multi-positions et fixer le capteur au support multi-positions.
3. Réinstaller le support multipositions et le capteur sur le ventilo-convecteur avec les vis comme illustré

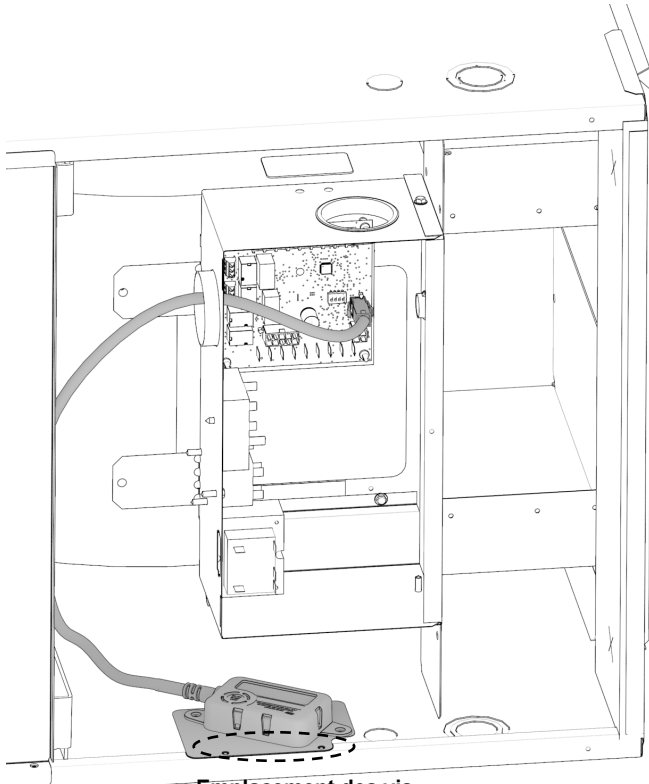


4. S'assurer que le câble du capteur et l'élément de détection sont orientés comme illustré.
5. Brancher le capteur dans le port « Sensor #1 » du panneau RDS

EXIGENCES RELATIVES AU SYSTÈME DE DÉTECTION DU RÉFRIGÉRANT (SDR)

Horizontale à droite

1. Retirer le capteur de sa position d'origine
2. Retirer le support multi-positions et assembler le capteur sur le support
3. Assembler le support de capteur multi-positions au ventilateur-convecteur avec les vis comme illustré.

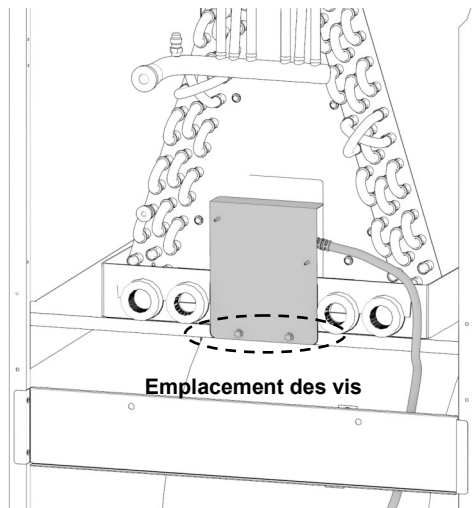


Emplacement des vis

4. Le support de capteur de débit ascendant doit être retiré pour changer l'emplacement de la cuvette de drainage pour la configuration horizontale droite.
5. S'assurer que le câble du capteur et l'élément de détection sont orientés comme illustré.
6. Brancher le capteur dans le port « Sensor #1 » du panneau RDS

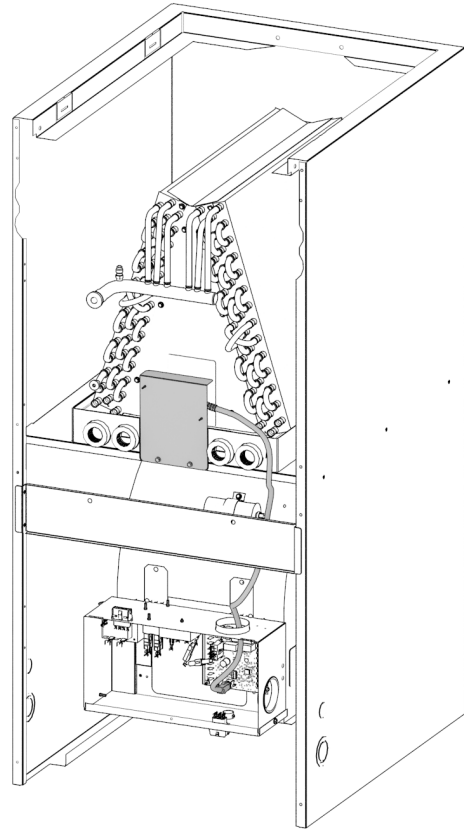
Descendante

1. Retirer le capteur de son emplacement d'origine.
2. Retirer l'unité multiposition et le support de capteur de débit ascendant.



Emplacement des vis

3. Faire tourner le ventilateur-convecteur conformément aux instructions de l'ensemble de circulation descendante.
4. Assembler le capteur sur le support de capteur fourni avec l'ensemble de circulation descendante.
5. Fixer le support de capteur au support du serpentin à l'aide d'une vis auto-taraud comme illustré.



6. S'assurer que le capteur est monté de manière à ce que l'élément de détection soit face au serpentin et qu'il ne soit pas obstrué par les tubes du distributeur ou la TXV.
7. S'assurer que le câble du capteur et l'élément de détection sont orientés comme illustré.
8. Brancher le capteur dans le port « Sensor #1 » du panneau RDS.



IMPORTANT



En configuration descendante, lorsque le serpentin est assemblé au-dessus d'un ventilateur-convecteur/fournaise d'air chaud, il doit y avoir un joint hermétique entre l'enceinte du serpentin et le ventilateur-convecteur/générateur d'air fournaise. Des produits d'étanchéité doivent être appliqués sur les découpes en tôle des tubes des conduites de liquide et d'aspiration pour assurer l'étanchéité à l'air. Utiliser des bandes d'étanchéité en fibre de verre, du calfeutrage ou une méthode d'étanchéité équivalente entre le serpentin et l'enceinte du ventilateur-convecteur pour assurer l'étanchéité.



IMPORTANT



Pour les applications descendantes, il ne doit pas y avoir de joints (brasés ou mécaniques) sur la conduite de liquide et d'aspiration à l'intérieur du ventilateur-convecteur/ventilateur modulaire/enceinte de la fournaise.

RÉGLAGE DES MICROCONTACTS

Régler les microcontacts en fonction de la configuration du capteur. Le non-respect de cette consigne entraînera des erreurs à la mise sous tension.

Chaque microcontact correspond à une position du capteur (c.-à-d. microcontact 1 au capteur 1; microcontact 2 au capteur 2). Les positions usine par défaut des microcontacts sont OFF. Le logiciel RDSC lit la position OFF comme active. Le fait de mettre l'interrupteur sur ON désactive la position du capteur. Le tableau suivant indique toutes les configurations possibles. Les configurations autres que celles illustrées ci-dessous causent une erreur d'entretien.

Les configurations autres que celles indiquées au Tableau 1 ci-dessous causent un défaut d'entretien.

CONFIGURATION	DIP1	DIP2
Un (1) capteur dans le connecteur 1	OFF	ON
Deux capteurs; dans les connecteurs 1, 2.	OFF	OFF

TABLEAU 1 : Réglage des microcontacts

CODES DE DIAGNOSTIC

Le RDSC est équipé d'une diode électroluminescente (DEL) située dans son enceinte. La DEL indique l'état du RDSC. Voir le Tableau 2 et le Tableau 3 pour revoir les codes de clignotement.

Province	DEL ROUGE Code de clignotement	Action
Initialisation	Vert clignotant	S/O
Surveillance	Vert fixe avec clignotement bleu	S/O
Atténuation (Fuite détectée)	Bleu clignotant	Vérifier que les tubes du serpentin ne fuient pas. Réparer le problème et redémarrer l'équipement.
Défaillance/Entretien	Bleu fixe, interrompu par le code d'émission	Voir CODES DE DIAGNOSTIC DES DEL ROUGES / DÉPANNAGE.

TABLEAU 2 : DEL ROUGE Code de clignotement

Clignotement rouge	Par capteur	Problème	Action
1	Oui	Défaillance du capteur	Remplacer le capteur
2	Oui	S/O	S/O
3	Oui	Type de capteur incompatible	Remplacer par un capteur compatible
4	Oui	Problème de communication avec le capteur	Vérifier les capteurs connectés. S'assurer que la connexion est propre et bien serrée.
5	Non	Relais défectueux/ mauvais câblage	Vérifier que l'alimentation 24VAC n'est pas raccordée aux bornes R du RDSC. Les entrées R doivent être sous tension pour que le RDSC fonctionne.
6	Non	Configuration invalide du nombre de capteurs	Vérifier que le réglage du microcontact est correct et correspond au nombre de capteurs utilisés.

TABLEAU 3 : CODES DE DIAGNOSTIC À DEL ROUGE / DÉPANNAGE

FONCTION DU BOUTON TEST

Le RDSC est équipé d'un bouton Test/Réinitialisation. Le bouton Test peut être utilisé pour effectuer plusieurs fonctions, en fonction du mode de fonctionnement du RDSC. Le Tableau 4 indique les fonctions du bouton Test pendant chaque mode de fonctionnement.

Mode de fonctionnement	Appuyer brièvement sur le bouton Test pour....
Normal	Déclenche une réponse de détection des fuites. Vérifier que tout l'équipement est correctement câblé sur le RDSC (après l'installation).
Fuite détectée	Remettre le RDSC à un mode de fonctionnement normal après qu'une fuite antérieure a été détectée et purgée du système de CVAC.
Panne	Réinitialisez le RDSC après avoir résolu une défaillance. Si le défaut n'est pas résolu, le RDSC repasse en mode Erreur.

TABLEAU 4 : FONCTIONNALITÉ DU BOUTON TEST

FONCTIONS SUPPLÉMENTAIRES DU BOUTON TEST

Le Tableau 5 indique les fonctions supplémentaires du bouton Test quand le RDSC fonctionne dans les états Initialisation, Surveillance, Atténuation, Entretien et Défaillance.

PROVINCE	APPUYER	ACTION
Initialisation	Court	Si le dénombrement des capteurs est terminé, ignorer la pré-purge restante.
Initialisation	Long	Fusible du panneau de commande
Surveillance	Court	Effacer le compteur de purge en cas d'atténuation antérieure; tester l'atténuation
Surveillance	Long	Fusible du panneau de commande
Atténuation	Court	En cas de test d'atténuation, terminer le test.
Entretien	Court	Réévaluer la condition de l'erreur — si elle est effacée, retourner à la surveillance, sinon mettre l'indicateur à jour.
Entretien	Long	Fusible du panneau de commande
Panne	Court	Réévaluer la condition de l'erreur — si elle est effacée, retourner à la surveillance, sinon mettre l'indicateur à jour.
Panne	Long	Fusible du panneau de commande

TABLEAU 5 : FONCTIONS SUPPLÉMENTAIRES DES BOUTONS DE TEST

COMPATIBILITÉ DU THERMOSTAT

Les types de thermostat suivants sont compatibles avec le RDSC :

- Thermostats équipés d'une mémoire non volatile
- Thermostats alimentés par batterie
- Thermostats analogiques
- Thermostat intelligent
- Thermostats programmables pour les modèles récents

Remarque: Les thermostats numériques et programmables de première génération peuvent ne pas fonctionner s'ils sont déconnectés de l'alimentation électrique. Ces types de thermostats peuvent ne pas conserver le mode de fonctionnement et les points de consigne de température.

Les exemples suivants sont susceptibles de se produire quand les occupants ne sont pas disponibles pour régler les points de consigne du thermostat :

- Le chauffage peut être perdu pendant une nuit froide.
- Le refroidissement peut être perdu par temps chaud.
- Le thermostat peut rétablir un point de consigne de température incorrect.

Vérification de la compatibilité

Procéder comme suit pour déterminer si le thermostat est compatible avec le RDSC.

1. Noter le point de consigne et le mode de fonctionnement du thermostat.
2. Remettre le disjoncteur sous tension. fournaise

REMARQUE : Attendre (5) minutes avant d'alimenter le disjoncteur du fournaise.

1. Noter si le thermostat a maintenu ses points de consigne et son mode de fonctionnement.
 - a. Si le thermostat a maintenu les réglages, il thermostat est compatible avec le RDSC.
 - b. Si le thermostat ne maintient pas son point de consigne et/ou son mode de fonctionnement, il n' thermostat est pas compatible avec le RDSC. Il est recommandé d'utiliser un thermostat compatible.

MODES DE FONCTIONNEMENT

Les modes de fonctionnement du RDSC sont Initialisation, Normal, Fuite détectée et Défaillance.

Initialisation

Le RDSC établit une connexion avec le capteur de détection du réfrigérant et effectue une séquence de purge initiale de (5) minutes.

Normal

Le système de CVCA fonctionne normalement. Le RDSC n'a pas détecté de fuite de réfrigérant.

Fuite détectée

Quand le RDSC détecte une fuite de réfrigérant :

1. Le RDSC arrête l'entrée (R) (alimentation 24 VCA) du thermostat, qui met hors tension le compresseur de l'unité extérieure et les sources de chaleur, telles que le chauffage au gaz et/ou à bande électrique. Aucune demande de chauffage ou de climatisation ne sera satisfaite.
2. Le RDSC active le ventilateur (vitesse maxi). Le ventilateur purge le réfrigérant de l'enceinte, du plénum et des gaines.

3. Une fois que le RDSC a déterminé que les niveaux de réfrigérant sont inférieurs au seuil de sécurité, le ventilateur continue à fonctionner pendant sept (7) minutes supplémentaires.
4. Une fois la séquence du ventilateur terminée, le système CVAC reprend son fonctionnement normal.

REMARQUE : *Le système de CVAC peut ne pas maintenir un point de consigne de climatisation ou de chauffage en cas de fuite importante . Toute fuite de réfrigérant qui ne reste pas corrigée pendant une période prolongée peut entraîner l'arrêt du système de CVAC en condition de limite de pression du réfrigérant.*

Panne

Lorsqu'une défaillance est détectée dans le RDSC, le ventilateur du fournaise d'air chaud s'engage et reste engagé à une puissance constante jusqu'à ce que le RDSC soit remplacé.

PROCÉDURE DE TEST DE DÉMARRAGE

Le RDSC est équipé d'un bouton Test/Réinitialisation, voir « Fonction du bouton Test » à la page 10. Une fois que le RDSC a été installé et câblé, rétablir l'alimentation du système de CVAC. Le système fonctionne ensuite pendant une séquence de purge pendant (5) minutes. Une fois la séquence de purge terminée, procéder au test de la demande de climatisation et de la demande de chauffage.

Demande de climatisation

1. Promouvoir une demande de climatisation au thermostat thermostat.
2. Appuyer sur le bouton Test du RDSC. Le système exécute alors une réponse de détection des fuites.
3. Respecter la séquence suivante :
 4. L'indicateur DEL clignote pour détecter les fuites (bleu clignotant).
 5. Le ventilateur se met en marche.
 6. Le compresseur extérieur s'arrête.

7. Appuyer sur le bouton Test pour mettre fin au mode de détection simulée des fuites une fois le test terminé.

Demande de chauffage

1. Demander une demande de chauffage au thermostat.
2. Respecter la séquence suivante :
 - a. L'indicateur DEL clignote pour détecter les fuites (bleu clignotant).
 - b. Le ventilateur se met en marche.
 - c. Les brûleurs à gaz s'éteignent.
 - d. Le compresseur extérieur s'arrête.

L'installation du RDSC est terminée une fois les deux séquences terminées.

APPLICATIONS SUPPLÉMENTAIRES

Dans les applications en zones, tous les registres restent ouverts quand le RDSC est en mode Défaillance ou Fuite détectée. Les demandes de chauffage et de climatisation normales sont autorisées, mais le ventilateur reste engagé jusqu'à ce que la condition de défaillance soit corrigée.

Système de CVAC de zone

Si le RDSC est installé dans un système de CVAC de zone, il ouvre tous les registres de zone en cas de fuite.

Remarque : Un câblage correct du panneau de zone au RDSC est nécessaire pour que tous les registres de zone s'ouvrent.

Une fois la séquence de purge terminée, le système de zone reprend son fonctionnement normal.

Pour le câblage correct, se reporter à l'IOM du registre.


Alarme extérieure

(Pour les applications avec alarmes externes câblées directement au RDSC)


Le RDSC déclenche le système d'alarme externe quand il passe en mode Fuite détectée.


Pour un câblage correct, voir Alarm IOM.

RACCORDEMENTS ÉLECTRIQUES



AVERTISSEMENT





Risque d'électrocution!

Déconnecter toutes les sources d'alimentation avant de procéder à l'entretien.

Remettre toutes les pièces et panneaux en place avant de les utiliser.


Le non-respect de cette consigne peut entraîner la mort ou un choc électrique.

Modèles avec chauffage électrique

1. Déterminer le nombre de circuits nécessaires pour alimenter l'aérotherme en électricité (1 ou 2 circuits). Voir l'étiquette de l'ensemble d'accessoires du ventilateur-convecteur pour le nombre de circuits et les valeurs nominales.
2. Déconnecter toutes les sources d'alimentation.
3. Écraser le nombre correct d'ouvertures défonçables (1 ou 2) et installer les fils et raccords homologués UL.
4. Connecter un fil de taille appropriée aux bornes du disjoncteur. Si aucun circuit n'est fourni, un bornier est fourni.
5. Raccorder le ou les fil(s) de terre verts (1 ou 2) à la ou aux borne(s) de terre (1 ou 2) portant la mention « GND ».
6. Installer les bouchons d'ouverture des conduits dans les ouvertures inutilisées.
7. Réinstaller le panneau d'accès au ventilateur du ventilateur-convecteur.
8. Rebrancher l'alimentation électrique.
9. Éliminer toutes les autres pièces.

Modèles sans chauffage électrique

Installations 120V, 208/240 V — Moteurs à 3 et 5 vitesses

1. Déconnecter toutes les sources d'alimentation.
2. Retirer le panneau d'accès au ventilateur-convecteur.
3. Acheminer les fils d'alimentation sur place jusqu'au boîtier de connexion électrique du ventilateur-convecteur.
4. À l'aide d'écrous homologués UL, connecter les fils d'alimentation sur place au ventilateur-convecteur, noir-noir et jaune-jaune (240 V) ou blanc-blanc (120 V), comme illustré à la Figure 10.
5. Connecter le fil de terre à la borne de terre  portant la mention « GND ».
6. Remplacer le panneau d'accès au ventilateur-convecteur.
7. Voir « Schéma de câblage – Moteur à 3 vitesses ».

Conversion 208 volts – 3-Speed uniquement

1. Déconnecter toutes les sources d'alimentation.
2. Retirer le panneau d'accès au ventilateur-convecteur.
3. Déplacer les 2 fils noirs connectés du transformateur entre les bornes 240 volts du transformateur et les bornes 208 volts du transformateur. Voir « Schéma de câblage – Moteur à 3 vitesses ».

FIGURE 10

Connexions des fils du ventilateur-convecteur

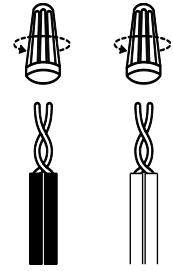


FIGURE 11

Connexions des fils du ventilateur-convecteur

- A. Connexion de la borne de terre
- B. Connexion noir à noir
- C. Connexion jaune à jaune

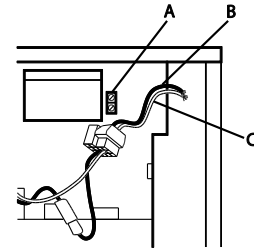

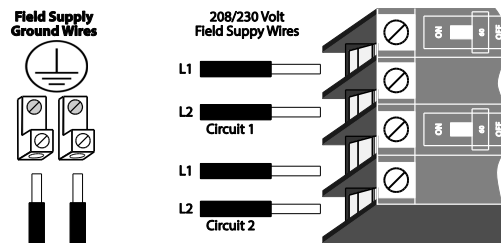


FIGURE 12

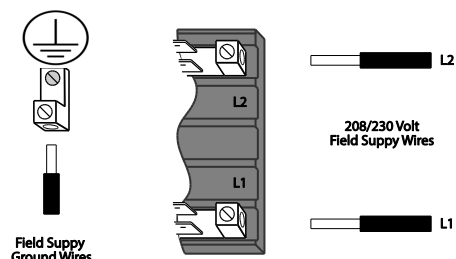
Connexion au fil de tension d'alimentation du ventilateur-convecteur du disjoncteur

REMARQUE : Deux bornes de terre  sont indiquées

illustré à la Figure 11. Il peut y avoir 1, 2 ou 3 bornes de terre en fonction du nombre de circuit.



Connexion au bornier Connexions des fils de tension d'alimentation du ventilateur-convecteur



VÉRIFICATIONS DU MANUTENTEUR D'AIR

Vérifier fonct. du ventilateur

1. Mettre le thermostat sur VENTILATEUR.
2. Le ventilateur intérieur doit s'allumer.

Vérifier le réchauffeur électrique (le cas échéant)

1. Régler le thermostat pour demander le chauffage auxiliaire (environ 5 °F au-dessus de la température ambiante). Le ventilateur intérieur et le chauffage auxiliaire doivent s'allumer ensemble. Laisser tous les séquenceurs fonctionner pendant au moins trois minutes.
2. Régler le thermostat de manière à ce qu'il ne demande pas de chauffage. Prévoir jusqu'à cinq minutes pour que tous les séquenceurs s'éteignent.

Vérifier le débit d'air

Vitesse de ventilateur de climatisation :

- Pour un fonctionnement correct, le débit d'air à travers le serpentin intérieur doit être compris entre 350 et 450 pi³/min par tonne de puissance de climatisation (350 - 450 pi³/min par 12 000 BTU/h) en fonction de la puissance de l'unité extérieure.
- La vitesse de ventilateur de climatisation est configurée en usine pour fournir un débit d'air correct pour une unité extérieure qui correspond à la puissance de refroidissement maximale du ventilo-convecteur.
- Si l'unité extérieure est inférieure à la puissance de refroidissement maximale du ventilo-convecteur, il peut être nécessaire de modifier la vitesse de ventilateur de climatisation. Voir le « Tableau de rendement du ventilateur ».

IMPORTANT: La vitesse de ventilateur de climatisation doit être réglée pour fournir un débit d'air minimum de 350 pi³/min par tonne (12 000 BTU/h) de capacité de climatisation extérieure.

 AVERTISSEMENT 
 Risque d'électrocution!
Déconnecter toutes les sources d'alimentation avant de procéder à l'entretien.
Remettre toutes les pièces et panneaux en place avant de les utiliser.
Le non-respect de cette consigne peut entraîner la mort ou un choc électrique.

Pour modifier la vitesse du ventilateur pour le moteur 3-Speed : (Voir « Schéma de câblage – Moteur 3-Speed »).

1. Déconnecter toutes les sources d'alimentation.
2. Retirer le panneau d'accès au ventilo-convecteur.
3. Situer la broche 2 sur le relais du ventilateur. Deux fils noirs sont connectés à cette borne. Un fil se connecte à la broche 5 du relais du ventilateur; un fil se connecte à une épissure en ligne se connectant à un fil bleu.
4. Retirer le fil allant au connecteur à 4 broches du moteur du ventilateur de l'épissure.
5. Raccorder le fil du ventilateur (rouge [LO], bleu [MED], noir [HI]) sur l'épissure du connecteur à 4 broches du moteur du ventilateur. **REMARQUE** : Les vitesses de ventilateur inutilisées sont expédiées d'usine couvertes d'un capuchon en plastique. Retirer ce capuchon de la nouvelle borne de vitesse du ventilateur et le remettre au-dessus de la borne du ventilateur réglée en usine.
6. Remplacer tous les panneaux.
7. Rebrancher l'alimentation électrique.

Pour modifier la vitesse du ventilateur du moteur ECM 5-Speed et rendement élevé :

(Voir « Schéma de câblage – Moteur ECM 5-Speed et rendement élevé ».)

1. Déconnecter toutes les sources d'alimentation.
2. Retirer le panneau d'accès au ventilo-convecteur.
3. Situer le bornier basse tension sur le ventilo-convecteur.
4. Réduction du débit d'air à un stage (1/2 tonne de débit d'air inférieur) :
 - a. Mettre la prise 2 (BRN) du moteur sur Y1.
 - b. Mettre la prise 3 (JAUNE) du moteur sur W2.
5. Installation statique à un stage :
 - a. Bornes Y1 et DS
6. Installation typique à 2 étapes :
 - a. Mettre la prise 3 (JAUNE) du moteur sur la borne Y2.
 - b. Déplacer la prise 2 (BRN) du moteur sur la borne Y1.
7. Réduction du débit d'air Installation à 2 étapes (1/2 tonne de débit d'air inférieur) :
 - a. Déplacer la prise 2 (BRN) du moteur sur la borne Y2.
 - b. Déplacer la prise 1 (GRN) du moteur sur la borne Y1.
 - c. Mettre la prise 3 (JAUNE) du moteur sur la borne G.
 - d. **REMARQUE** : Une demande de « ventilateur en marche » permet un débit plus élevé que le fonctionnement normal.
8. Installation statique élevée à 2 stages :
 - a. Mettre la prise 5 (BLK) du moteur sur la borne Y2.
 - b. Déplacer la prise 3 (JAUNE) du moteur sur la borne DS.
 - c. Déplacer la prise 2 (BRN) du moteur sur la borne Y1.
9. Remplacer tous les panneaux.
10. Rebrancher l'alimentation électrique.

SÉQUENCE DE FONCTIONNEMENT

Climatisation (climatisation uniquement ou thermopompe)

Quand le thermostat demande la climatisation, le circuit entre R et G est terminé et le relais du ventilateur est mis sous tension. Les contacts Normalement ouverts se ferment, ce qui fait fonctionner le moteur du ventilateur intérieur. Le circuit entre R et Y est également terminé; ce circuit ferme l'entrepreneur dans le moteur du ventilateur extérieur. Les circuits R et O mettent la vanne d'inversion sous tension, la mettant en position Climatisation. (La vanne d'inversion reste sous tension tant que le sélecteur est en position REFROIDISSEMENT.)

Chauffage (chauffage électrique uniquement)

Quand le thermostat demande de la chaleur, le circuit entre R et W est terminé et le séquenceur de l'aérotherme est mis sous tension. Un délai s'écoule avant que les éléments de chauffage et le moteur du ventilateur intérieur ne s'allument. Les unités équipées d'un deuxième séquenceur de chaleur peuvent être connectées avec le premier séquenceur à W sur la base secondaire du thermostat ou à une deuxième étape sur la base secondaire.

Chauffage par thermopompe

Quand le thermostat demande de la chaleur, les circuits entre R-Y et R-G sont terminés. Circuit R-Y met le contacteur sous tension pour démarrer le moteur du ventilateur extérieur et le compresseur. Circuit R-G met le relais du ventilateur sous tension en démarrant le moteur du ventilateur intérieur. Si la température de la pièce continue à chuter, le thermostat de la pièce de chauffage de deuxième stage termine le circuit entre R-W1. Le circuit R-W1 met sous tension un séquenceur de chaleur. Le circuit terminé met sous tension le chauffage électrique supplémentaire. Les unités équipées d'un deuxième séquenceur de chauffage peuvent être connectées au premier séquenceur à W1 sur le thermostat ou à un deuxième stage de chauffage W2 sur la base du thermostat.

Chauffage d'urgence (thermopompe chauffante)

Si le sélecteur du thermostat est réglé sur la position de chauffage d'urgence, la thermopompe est verrouillée hors du circuit de chauffage et tout le chauffage est un chauffage électrique (le cas échéant). Un cavalier est nécessaire pour que le contrôleur de chauffage électrique passe au chauffage de premier stage du thermostat. Ceci permet au ventilateur intérieur de se mettre en marche et de s'arrêter avec le chauffage électrique quand l'interrupteur du ventilateur est en position AUTO.

RÉCUPÉRATION DU RÉFRIGÉRANT

Avant de travailler sur des systèmes contenant du réfrigérant, il est essentiel que le technicien connaisse parfaitement l'équipement et tous ses détails. Il est recommandé que tous les réfrigérants soient récupérés en toute sécurité. Avant d'effectuer la tâche, un échantillon d'huile et de réfrigérant doit être prélevé au cas où une analyse serait nécessaire avant la réutilisation du réfrigérant récupéré. Il est essentiel que l'alimentation électrique soit disponible avant de commencer la tâche. Les étapes à suivre pour s'assurer sont les suivantes : se familiariser avec l'équipement et son fonctionnement, l'isolation électrique du système, s'assurer qu'avant de tenter la procédure, un équipement de manutention mécanique est disponible, au besoin, pour la manutention des bouteilles de réfrigérant, et que tout l'équipement de protection individuelle est disponible et utilisé correctement pendant que le processus de récupération est supervisé en permanence par une personne compétente et que l'équipement et les bouteilles de récupération sont conformes aux normes appropriées.

De plus, si possible, pomper le système de réfrigérant et si un vide n'est pas possible, créer un collecteur pour que le réfrigérant puisse être retiré des différentes parties du système. S'assurer que les bouteilles sont installées sur les balances avant la récupération. Démarrer la machine de récupération et la faire fonctionner conformément aux instructions. Ne pas trop remplir les bouteilles (pas plus de 80 % de charge de liquide). Ne pas dépasser la pression de service maximale de la bouteille, même temporairement. Une fois que les bouteilles ont été correctement remplies et que le processus a été terminé, s'assurer que les bouteilles et l'équipement sont retirés du site rapidement et que toutes les vannes d'isolation de l'équipement sont fermées. Le réfrigérant récupéré ne doit pas être chargé dans un autre système de réfrigération sauf s'il a été nettoyé et vérifié.

Lors du retrait du réfrigérant d'un système, que ce soit pour l'entretien ou la mise hors service, il est recommandé de retirer tous les réfrigérants en toute sécurité. Lors du transfert du réfrigérant dans les bouteilles, s'assurer que seules les bouteilles de récupération de réfrigérant appropriées sont utilisées. S'assurer que le nombre correct de bouteilles pour maintenir la charge totale du système est disponible. Toutes les bouteilles à utiliser sont désignées pour le réfrigérant récupéré et étiquetées pour ce réfrigérant (c'est-à-dire des bouteilles spéciales pour la récupération du réfrigérant). Les bouteilles doivent être équipées d'une vanne de décompression et des vannes d'arrêt associées en bon état de fonctionnement. Les bouteilles de récupération vides sont évacuées et, si possible, refroidies avant la récupération.

L'équipement de récupération doit être en bon état de fonctionnement avec un ensemble d'instructions concernant l'équipement qui est à portée de main et doit être approprié pour la récupération du réfrigérant inflammable. En cas de doute, consulter le fabricant. De plus, un jeu de balances étalonnées doit être disponible et en bon état de fonctionnement. Les flexibles doivent être équipés de coupleurs étanches et en bon état.

Le réfrigérant récupéré doit être traité conformément à la législation locale dans la bouteille de récupération correcte et la note de transfert des déchets correspondante doit être disposée. Ne pas mélanger de réfrigérants dans les unités de récupération et en particulier dans les bouteilles.

Si les compresseurs ou les huiles de compresseur doivent être retirés, s'assurer qu'ils ont été évacués à un niveau acceptable pour s'assurer que le réfrigérant inflammable ne reste pas dans le lubrifiant. Le corps du compresseur ne doit pas être chauffé par une flamme nue ou d'autres sources d'allumage pour accélérer ce processus. Quand l'huile est vidangée d'un système, elle doit être effectuée en toute sécurité.

DÉTECTION DU RÉFRIGÉRANT INFLAMMABLE

En aucun cas, des sources d'allumage potentielles ne peuvent être utilisées pour rechercher ou détecter des fuites de réfrigérant.

Ne pas utiliser de torche aux halogénures (ou tout autre détecteur utilisant une flamme nue).

Les méthodes de détection des fuites suivantes sont considérées acceptables pour tous les systèmes de réfrigérant.

Des détecteurs de fuites électroniques peuvent être utilisés pour détecter les fuites de réfrigérant mais, dans le cas des RÉFRIGÉRANTS INFLAMMABLES, la sensibilité peut ne pas être adéquate ou nécessiter un nouvel étalonnage. (L'équipement de détection doit être étalonné dans une zone sans réfrigérant.) S'assurer que le détecteur n'est pas une source d'allumage potentielle et qu'il est compatible avec le réfrigérant utilisé. L'équipement de détection des fuites doit être réglé à un pourcentage de la LFL du réfrigérant et doit être étalonné au réfrigérant utilisé, et le pourcentage de gaz approprié (25 % maximum) est confirmé.

Les liquides de détection des fuites peuvent également être utilisés avec la plupart des réfrigérants, mais l'utilisation de détergents contenant du chlore doit être évitée car le chlore peut réagir avec le réfrigérant et corroder les conduites en cuivre.

REMARQUE : Exemples de liquides de détection des fuites :

- méthode des bulles,
- agents de méthode fluorescente.

En cas de suspicion de fuite, toutes les flammes nues doivent être retirées/éteintes.

En cas de fuite de réfrigérant nécessitant un brasage, la totalité du réfrigérant doit être récupérée du système ou isolée (au moyen de vannes d'arrêt) d'une partie du système à distance de la fuite. Le retrait du réfrigérant doit être conforme à la procédure de retrait et d'évacuation.

ENTRETIEN DU VENTIL-CONVECTEUR

Au début de chaque saison de chauffage, l'unité doit être entretenue par un installateur ou une société d'entretien qualifié.

Lors de la pénétration dans le circuit de réfrigérant pour effectuer des réparations, ou à toute autre fin, des procédures conventionnelles doivent être utilisées. Cependant, pour les réfrigérants inflammables, il est important de respecter les bonnes pratiques, car l'inflammabilité est une considération. Retirer le réfrigérant en toute sécurité conformément aux réglementations locales et nationales.

La charge de réfrigérant doit être récupérée dans les bouteilles de récupération correctes si l'évacuation n'est pas autorisée par les codes locaux et nationaux. Pour les appareils contenant des réfrigérants inflammables, le système doit être purgé avec de l'azote sans oxygène pour rendre l'appareil sécuritaire pour les réfrigérants inflammables. Il peut être nécessaire de répéter cette procédure plusieurs fois. L'air comprimé ou l'oxygène ne doit pas être utilisé pour purger les systèmes réfrigérants.

Pour les appareils contenant des réfrigérants inflammables, la purge des réfrigérants doit être réalisée en brisant le vide du système avec de l'azote sans oxygène et en continuant à se remplir jusqu'à ce que la pression de fonctionnement soit atteinte, puis en évacuant l'air jusqu'à l'atmosphère, puis en tirant finalement vers le bas jusqu'à un vide (optionnel pour A2L). Cette procédure doit être répétée jusqu'à ce qu'aucun réfrigérant ne se trouve dans le système (optionnel pour A2L). Quand la charge d'azote sans oxygène finale est utilisée, le système doit être évacué jusqu'à la pression atmosphérique pour permettre le travail. S'assurer que la sortie de la pompe à vide n'est pas proche d'une source d'allumage potentielle et que la ventilation est disponible.

ASSISTANCE OU SERVICE

Si vous avez besoin d'aide, vous pouvez nous contacter à l'adresse ci-dessous pour toute question ou préoccupation. Veuillez indiquer un numéro de téléphone de jour dans votre correspondance.

Advanced Distributor Products
1995 Air Industrial Park Road
Grenada, MS 38901

GARANTIE LIMITÉE SUR LE VENTIL-CONVECTEUR ADP

Durée de la garantie

Advanced Distributor Products (ADP) garantit que ses produits vendus seront de qualité marchande, exempts de défauts de matière et de main-d'œuvre, dans des conditions d'utilisation et d'entretien normales, pendant une période de cinq (5) ans à compter de la date d'installation, **sans** dépasser six (6) ans à compter de la date de fabrication, sous réserve des conditions de la garantie limitée d'ADP.

Pour en savoir plus sur la garantie de ce produit, y compris l'accès aux conditions de garantie complètes, l'enregistrement pour une garantie prolongée* ou les instructions pour déposer une réclamation au titre de la garantie, veuillez vous rendre sur www.ADPwarranty.com.

* Dans les États ou provinces où les exigences d'enregistrement sont interdites, le fait de ne pas terminer l'enregistrement par le consommateur ne réduit pas ses droits à la garantie.

Information sur l'équipement

Veillez écrire les renseignements demandés ci-dessous et conserver la présente garantie dans vos dossiers, pour consultation future.

Numéro de modèle de l'unité : _____

Numéro de série : _____

Entrepreneur installateur : _____

Date d'installation : _____

Téléphone : _____



2140 Lake Park Blvd, Richardson, TX 75080, États-Unis
www.adpnow.com