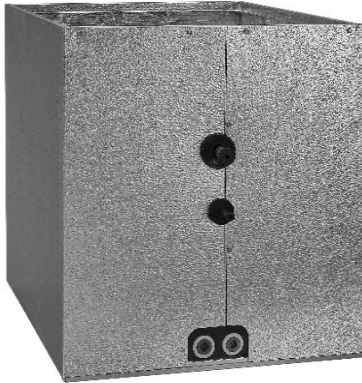


Specification Guide

Dedicated Downflow Evaporator Coils



Contents	Page
Downflow Coils	
Features	2
Nomenclature	3
Specifications.....	4

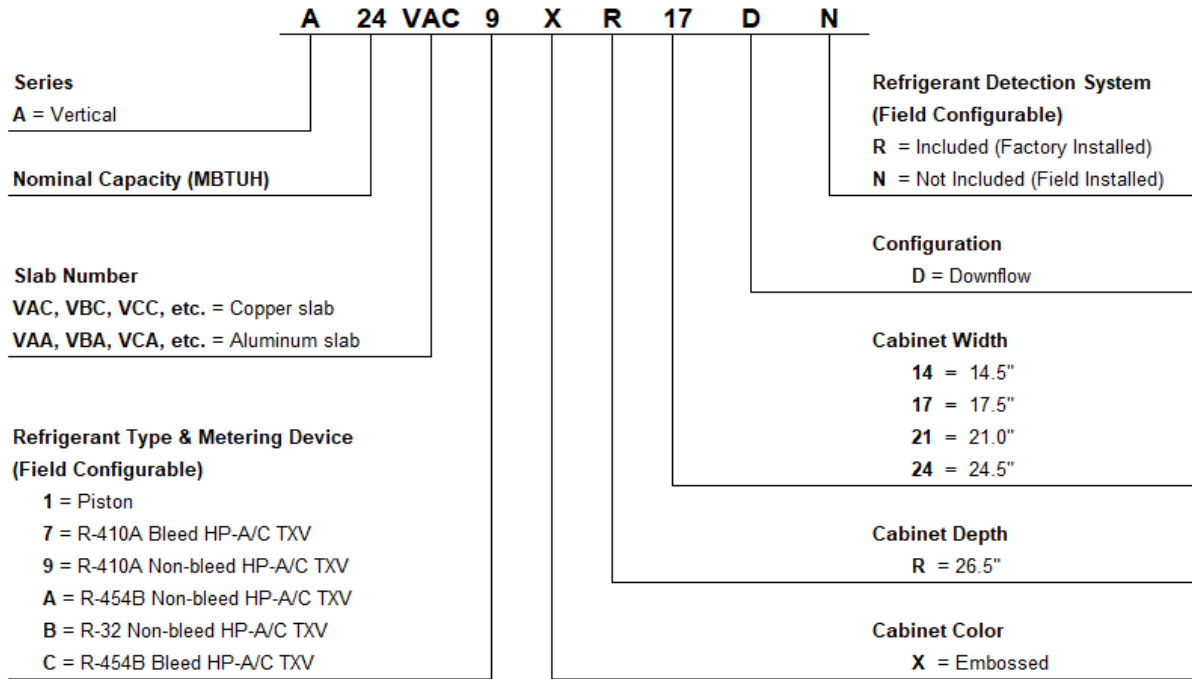


Product improvement is a continuous process at Advanced Distributor Products. Therefore, product specifications are subject to change without notice and without obligation on our part. Please contact your ADP representative or distributor to verify details.
© by Advanced Distributor Products. All rights reserved.

Downflow Coil – Product Features

- High efficiency lanced fin design
- “No-hassle” 5 year warranty. 10 year Limited Warranty available.
- R-22, R-410A, AC & Heat Pump compatible.
- R-454B, R-32, AC & Heat Pump compatible with Refrigerant Detection System Kit.
- All coils have durable packaging with bar coded labels on the box.
- Threaded expansion valves available factory installed or as a field installed kit.
- Coils are air pressure tested at 500 psi, leak tested with helium, sealed with rubber plugs, then charged with dry air.
- Piston options include externally accessible body for easy piston change out and/or TXV installation.
- Microban® antimicrobial additive to inhibit the growth of mold and mildew in the drain pan.
- UV resistant drain pans are molded of high temperature (450 deg. F) engineered polymer.
- Copper refrigerant connections for easy brazing on both copper and aluminum slab models.
- Cased coil cabinets are fully lined with 5/8" foil faced insulation.
- Non-captive refrigerant lines with long stubs make for easy installation.
- Enhanced refrigerant pipe grommets: secure, tight, and easy to install.
- Copper distributor tube assembly provides brass to brass threads for trouble-free service of TXV.
- Expansion valve with improved temperature sensing:
 - Mounted inside cabinet to prevent external sweating
 - Bulb clamped standard factory installed
- Cabinet insulation hold down tabs for easy drain pan removal.
- Interlocking doors reduce air leakage and allow for easy access.
- Foam drain seal for reduced air leakage.
- Maximum CFM printed on the label of each coil.
- Suction line refrigerant connections are 3/4" ODF (A-Coil 18-36 size models) or 7/8" ODF (A-Coil 42-60 size models)
- Suction line refrigerant connections are 1.125".
- Corrosion resistant coil header plates.

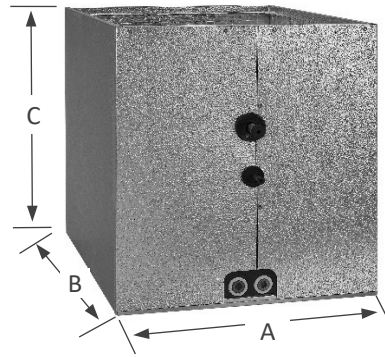
Downflow Coil Nomenclature



Downflow Coil – Cased Specifications

A = Width
B = Depth
C = Height

Supply Opening: (A - 1.5") x (B - 1.5")
Return Opening: (A - 1.0") x (B - 0.5")



C = Copper slab; A = Aluminum slab.

Dimensions / Airflow Data								Weights					
Slab Number	Nominal MBTUH	Width [A]	Depth [B]	Height [C]	Max CFM	Face Vel. [2] (fpm)	DRY Coil Air Pressure Drop (inches W.C.) by Coil Width [A]	Copper	Aluminum				
								VA (C,A)	18 24	14.5" - 17.5"	26.5"	18"	600 800
VB (C,A)	18 24 18 24 30 36	14.5" 17.5"	600 800 600 800 1000 1150	171 229 171 229 286 329	.06 .14 .06 .14 .22 .27	29	28						
	VC (C,A)	18 24 18 24 30 36	14.5" 17.5"	600 800 600 800 1000 1200	171 229 171 229 286 343	.02 .10 .02 .10 .18 .26	31	30					
		VD (C,A)	24 30 36 24 30 36 42	17.5" 21.0"	800 1000 1200 800 1000 1200 1350	196 245 294 196 245 294 331	.11 .19 .27 .05 .11 .17 .21	50	48				
			VE (C,A)	30 36 42 42 48	17.5" - 21" 24.5"	1000 1200 1400 1400 1600	190 229 267 267 305	.17 .25 .30 .21 .28	61	55			
				VF (C,A)	36 42 42 48	17.5" - 21" 24.5"	1200 1400 1400 1400 1600	206 240 240 240 274	.17 .23 .10 .14	64			61
					VG (C,A)	42 48 60 42 48 60	21.0" 24.5"	1400 1600 1850 1400 1600 1950	218 249 288 218 249 304	.20 .24 .28 .07 .11 .18			67
VH (C,A)						42 48 60 42 48 60	21.0" 24.5"	1400 1600 1900 1400 1600 2000	200 229 271 200 229 286	.20 .26 .32 .06 .11 .17			70
	VL (C,A)					42 48 60	24.5"	1400 1600 1950	200 229 286	.11 .21 .25			74
									75	72			
								79	76				
								84	81				

Downflow Coil – Pallet Quantities

Cabinet Width	Pallet Qty by Cabinet Height (in)		
	18"	23.5"	27.5"
14.50"	8	8	4
17.50"	8	4	4
21.00"	2	2	2
24.50"	2	2	2



2140 Lake Park Blvd, Richardson, TX 75080
www.adpnow.com